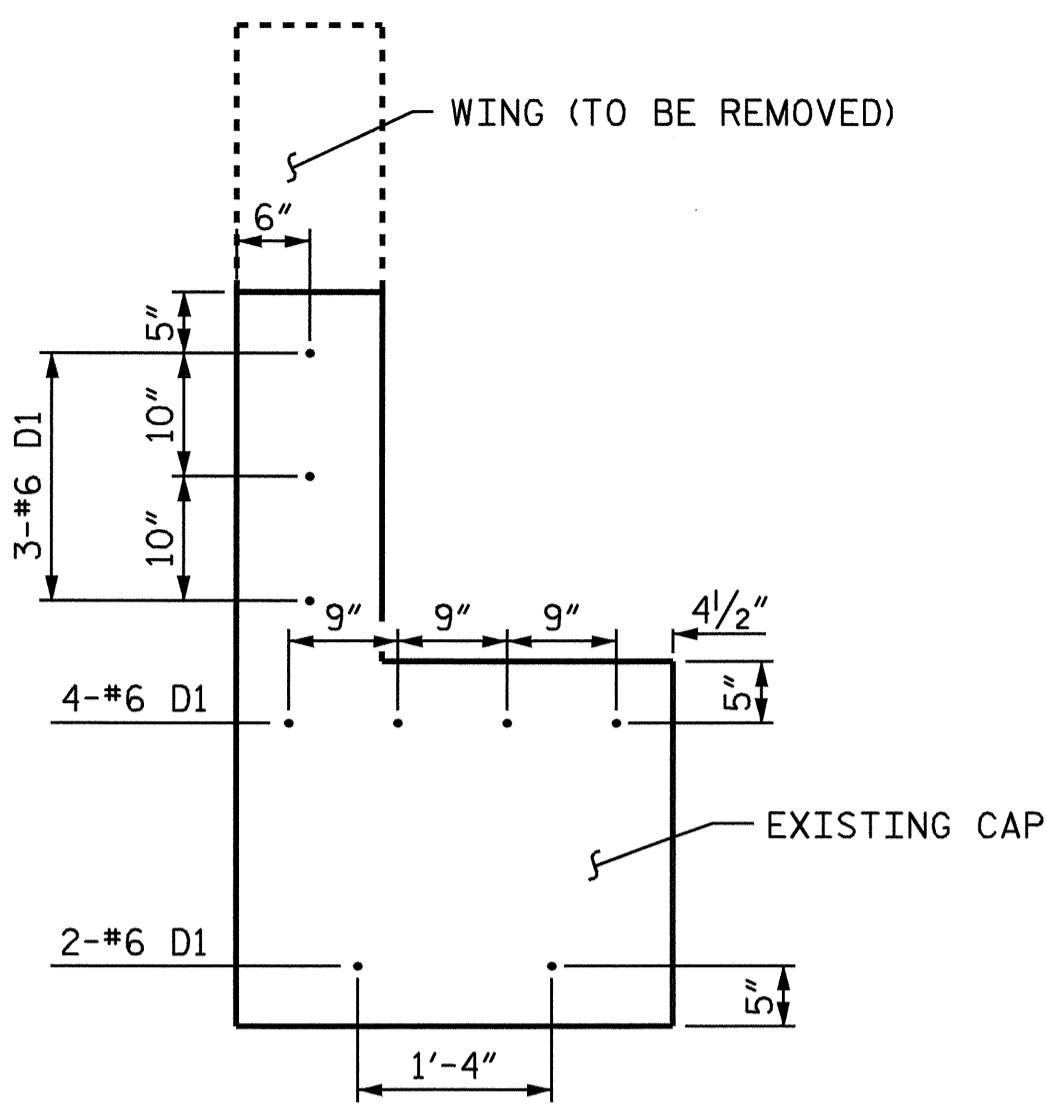
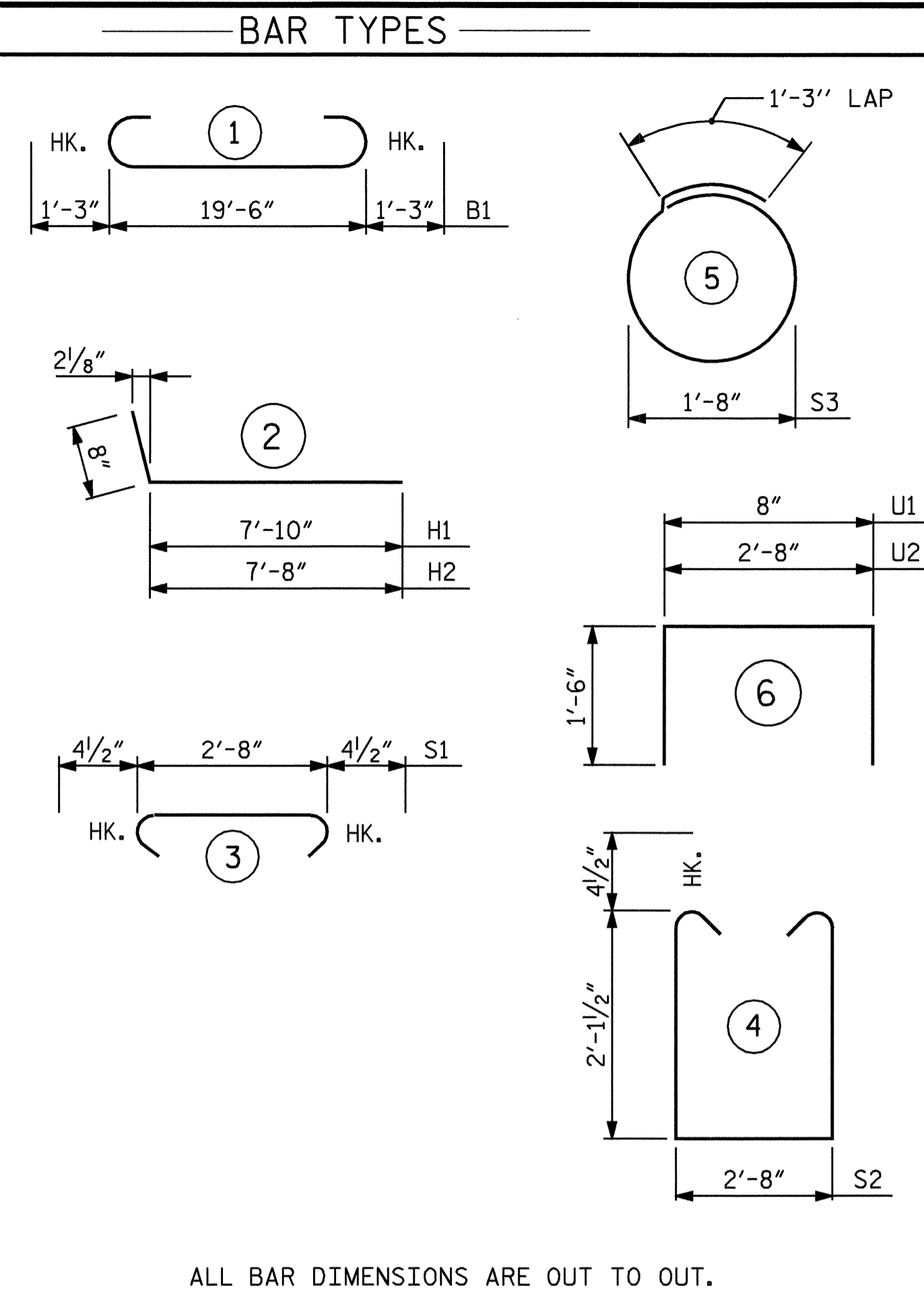


**PLAN OF WING**

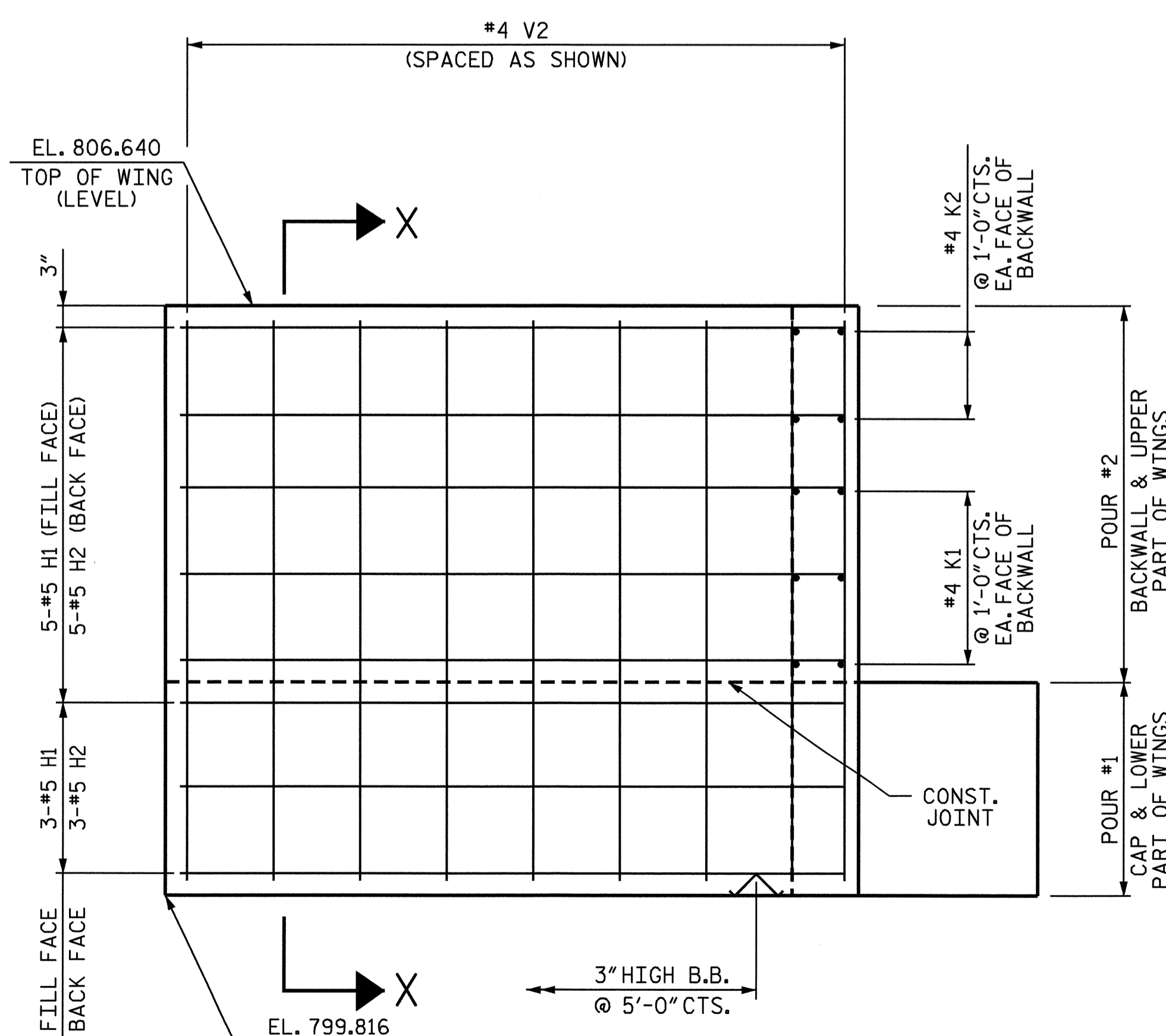


**DOWEL DETAIL**

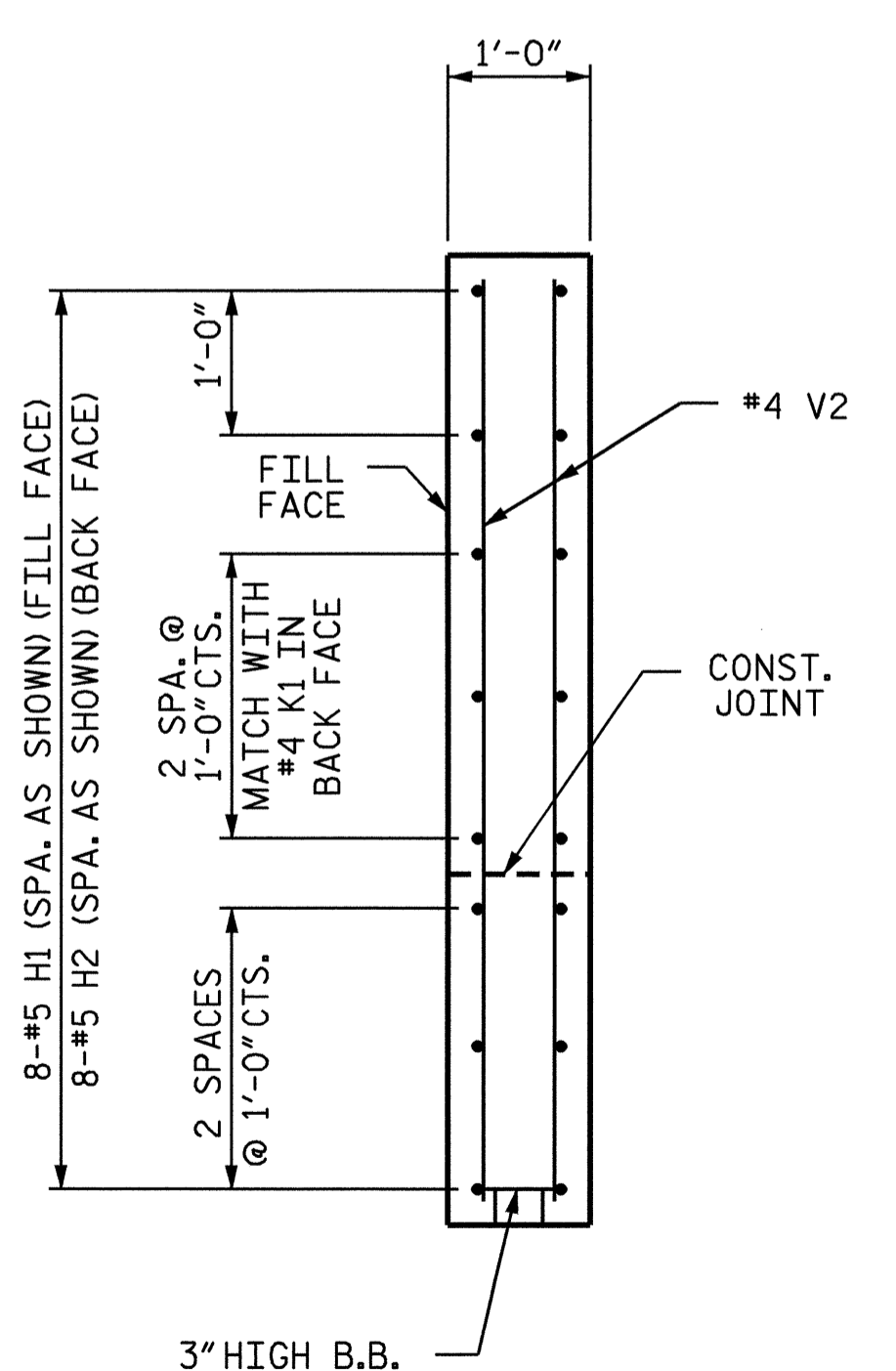


ALL BAR DIMENSIONS ARE OUT TO OUT.

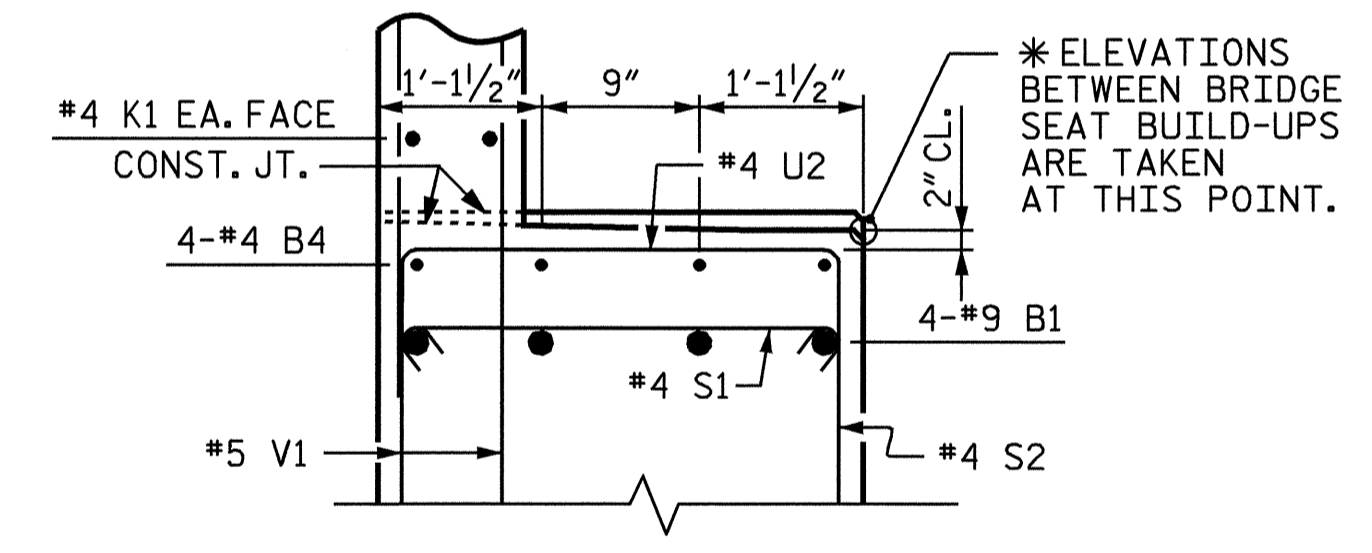
BILL OF MATERIAL					
END BENT 2					
BAR	NO.	SIZE	TYPE	LENGTH	WEIGHT
B1	8	#9	1	22'-0"	598
B2	4	#4	STR.	19'-7"	52
B3	4	#4	STR.	19'-10"	53
B4	9	#4	STR.	2'-8"	16
D1	9	#6	STR.	2'-6"	34
H1	8	#5	2	8'-6"	71
H2	8	#5	2	8'-4"	70
K1	6	#4	STR.	20'-3"	81
K2	4	#4	STR.	4'-0"	11
S1	20	#4	3	3'-5"	46
S2	20	#4	4	7'-8"	102
S3	6	#4	5	6'-6"	26
U1	16	#4	6	3'-8"	39
U2	5	#4	6	5'-8"	19
V1	32	#5	STR.	4'-7"	153
V2	26	#4	STR.	6'-5"	111
REINFORCING STEEL				=	1482 LBS
CLASS A CONCRETE					
POUR #1				6.6 CU. YDS.	
CAP & LOWER PART OF WINGS					
POUR #2				3.3 CU. YDS.	
BACKWALL & UPPER PART OF WINGS					
TOTAL				9.9 CU. YDS.	
HP 12 x 53 STEEL PILES					
NO. 3					135 FEET



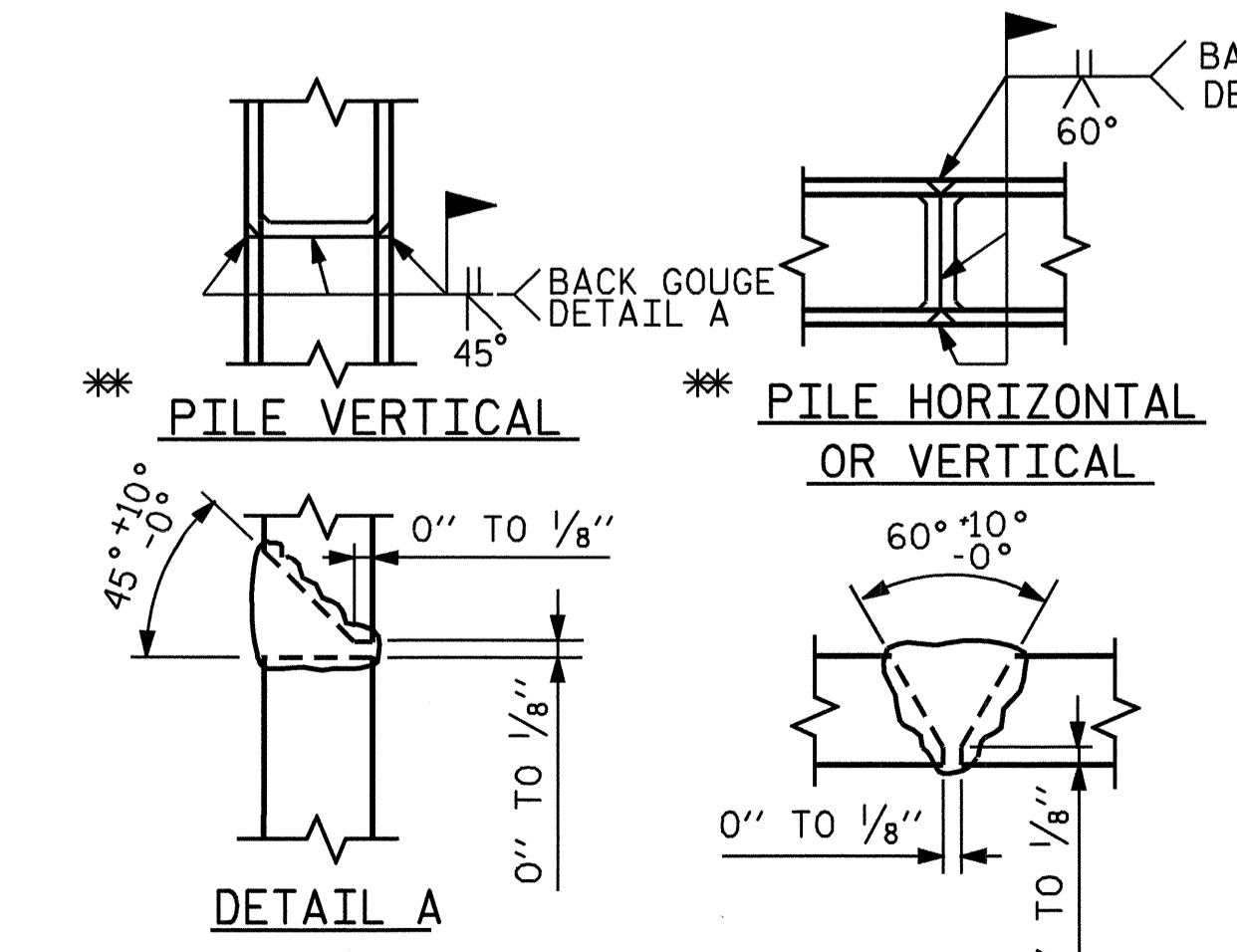
**ELEVATION OF WING**



**SECTION X-X**



**SECTION B-B**



**PILE SPLICE DETAILS**

\* ELEVATIONS BETWEEN BRIDGE SEAT BUILD-UPS ARE TAKEN AT THIS POINT.

**SECTION B-B**

BACK GOUGE DETAIL B

BACK GOUGE DETAIL A

PILE VERTICAL

PILE HORIZONTAL OR VERTICAL

DETAIL A

DETAIL B

\* POSITION OF PILE DURING WELDING.

PROJECT NO. U-3837  
 FORSYTH COUNTY  
 STATION: 21+64.07 -L-

SHEET 2 OF 2

STATE OF NORTH CAROLINA  
 DEPARTMENT OF TRANSPORTATION  
 RALEIGH

SUBSTRUCTURE  
 END BENT 2

REVISIONS					
NO.	BY:	DATE:	NO.	BY:	DATE:
1			3		
2			4		

SHEET NO. S-38  
 TOTAL SHEETS 78

