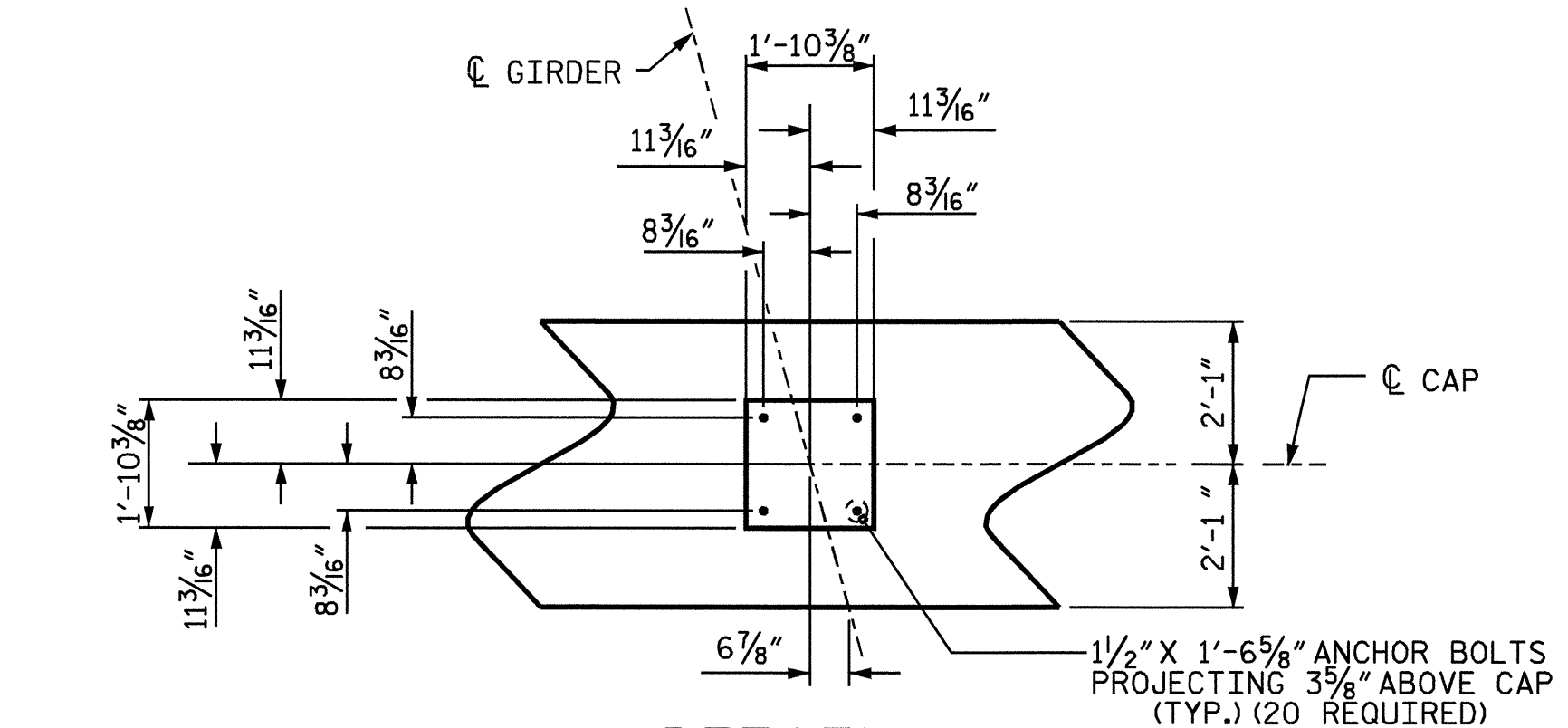
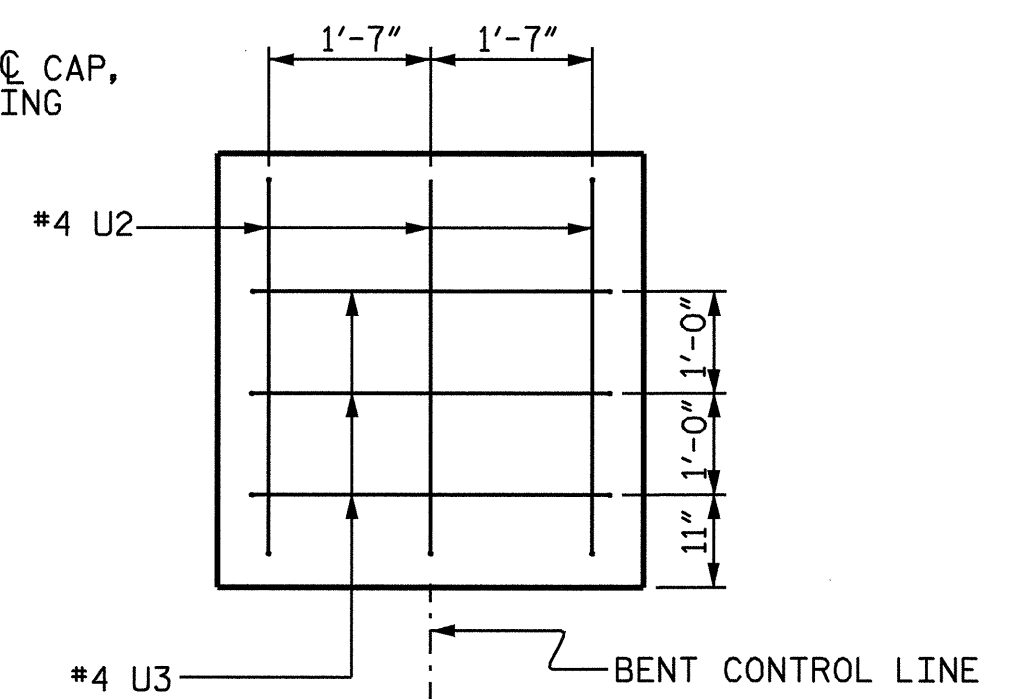


PLAN

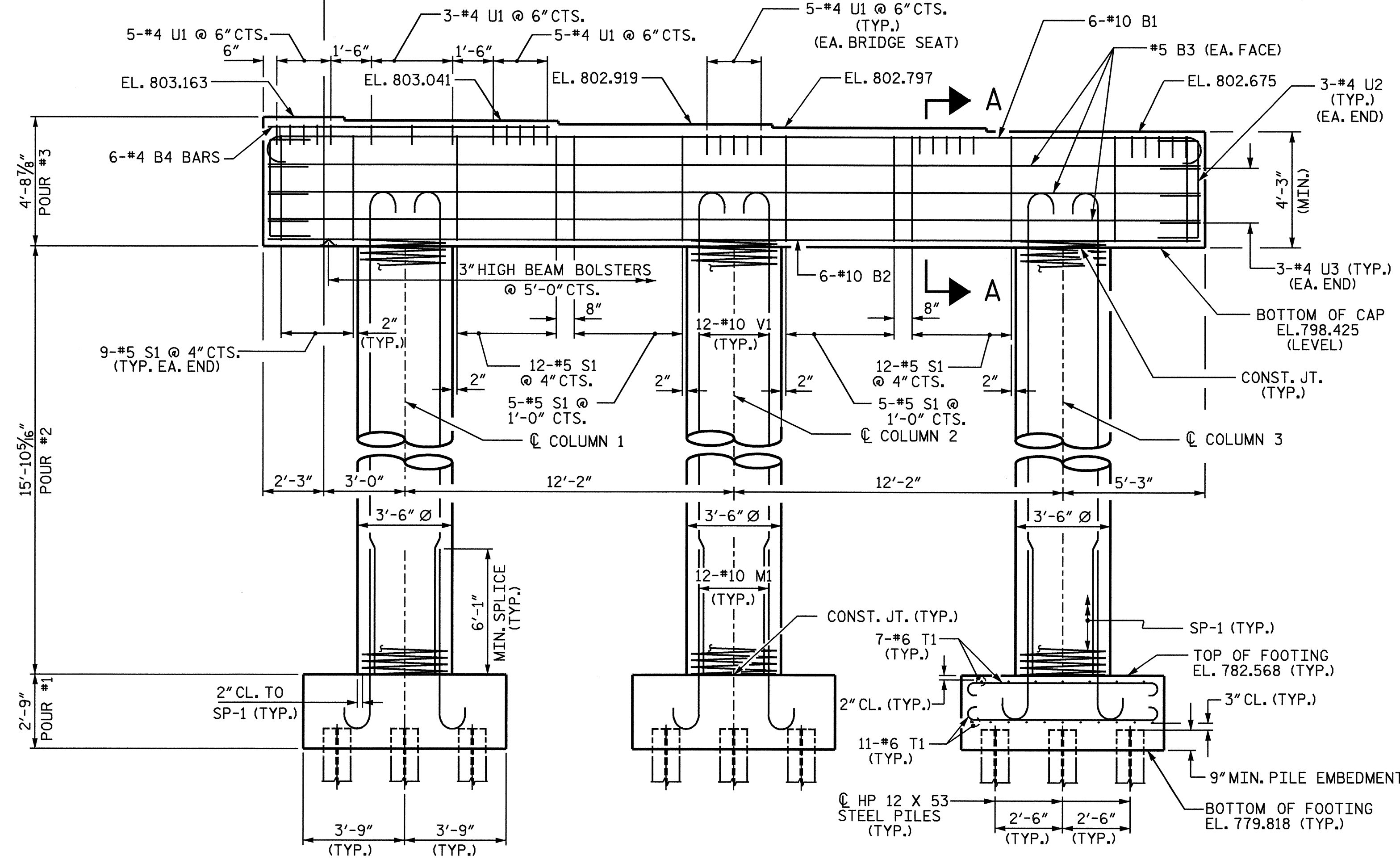


DETAIL A

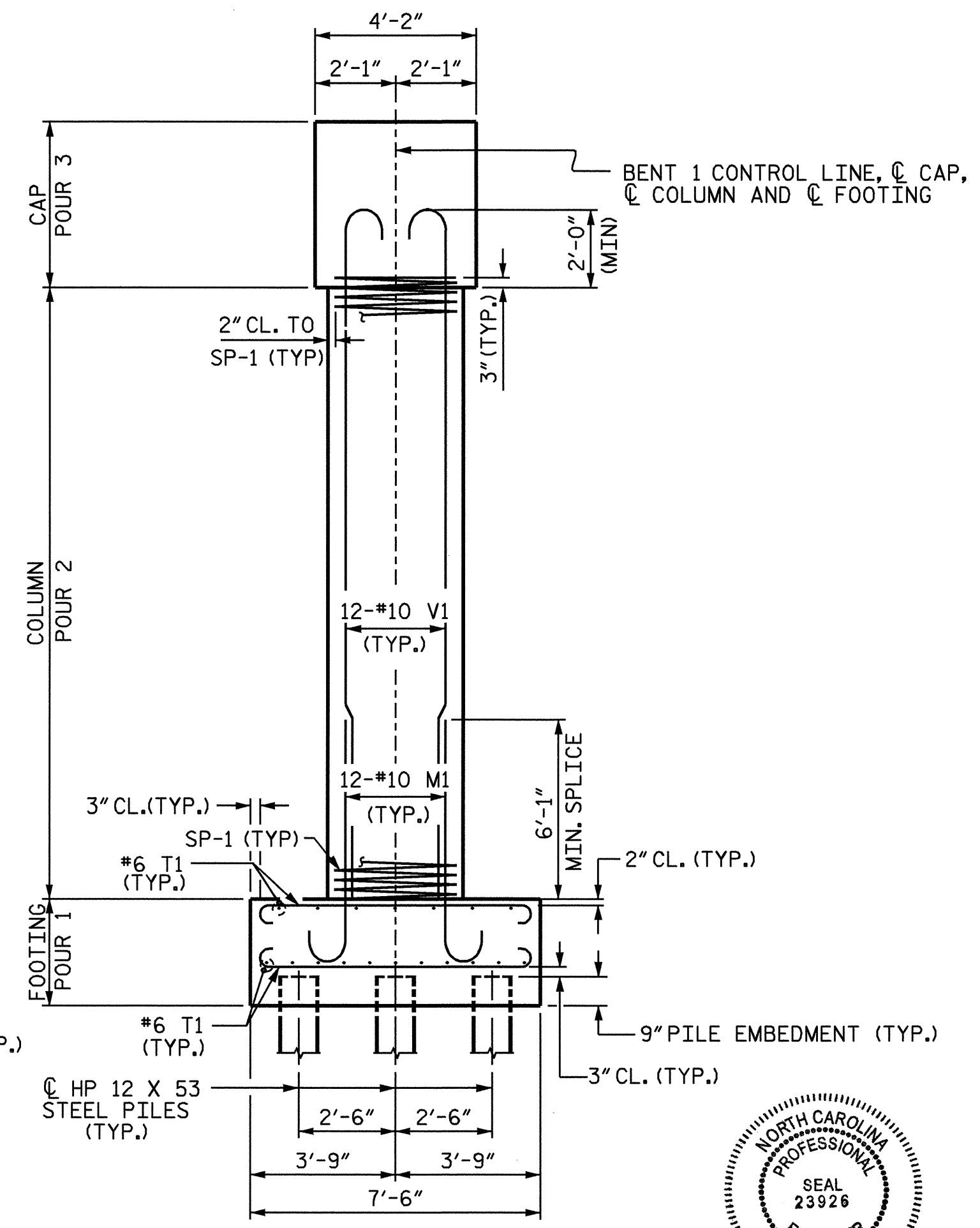


END OF CAP

("U" BAR DETAIL)



ELEVATION



END ELEVATION

NOTES

- STIRRUPS IN CAP MAY BE SHIFTED AS NECESSARY TO CLEAR ANCHOR BOLTS.
- HOOKS ON "V" BARS MAY BE TURNED AS NECESSARY FOR PLACING REINFORCING STEEL.
- INVERT ALTERNATE STIRRUPS
- FOR PILE SPLICE DETAILS, SEE SHEET 2 OF 2

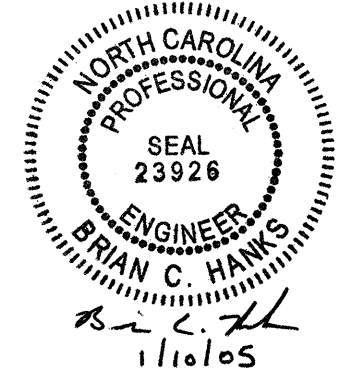
DRAWN BY : K.K. PUROHIT DATE : 03/29/04  
 CHECKED BY : A.B. NAIK DATE : 04/07/04

PROJECT NO. U-3837  
 FORSYTH COUNTY  
 STATION: 21+64.07 -L-

SHEET 1 OF 2

STATE OF NORTH CAROLINA  
 DEPARTMENT OF TRANSPORTATION  
 RALEIGH

SUBSTRUCTURE  
 BENT 1



REVISIONS						SHEET NO.	
NO.	BY:	DATE:	NO.	BY:	DATE:	S-69	
1			3			TOTAL SHEETS	
2			4			78	