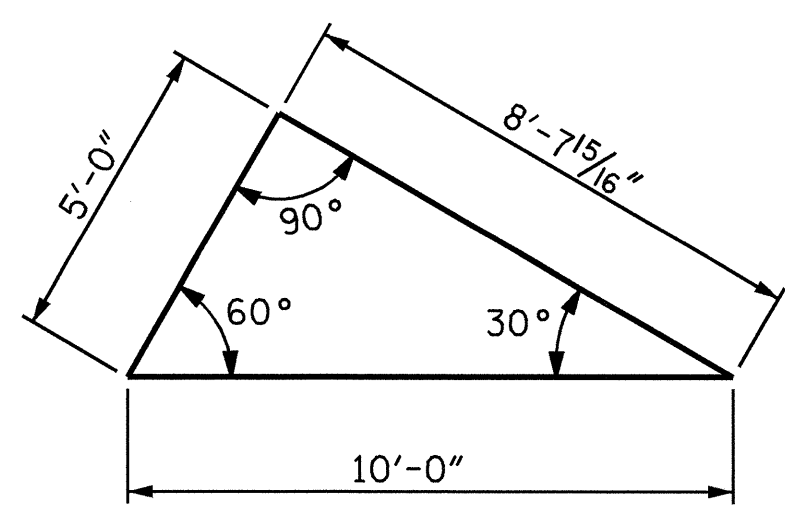
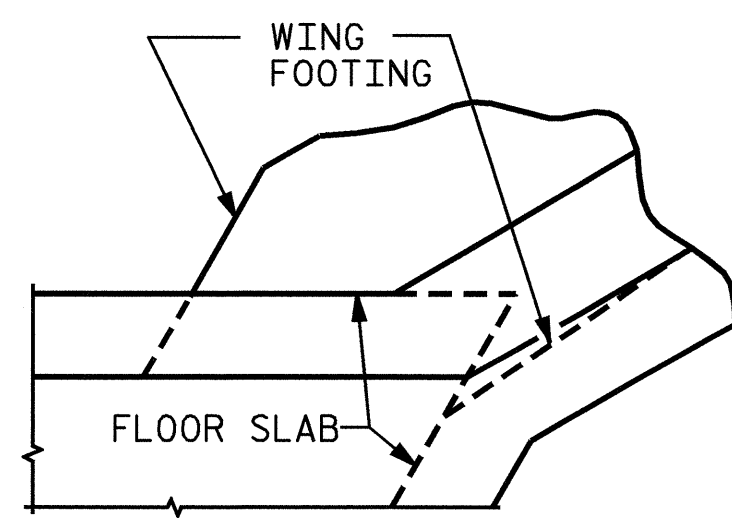


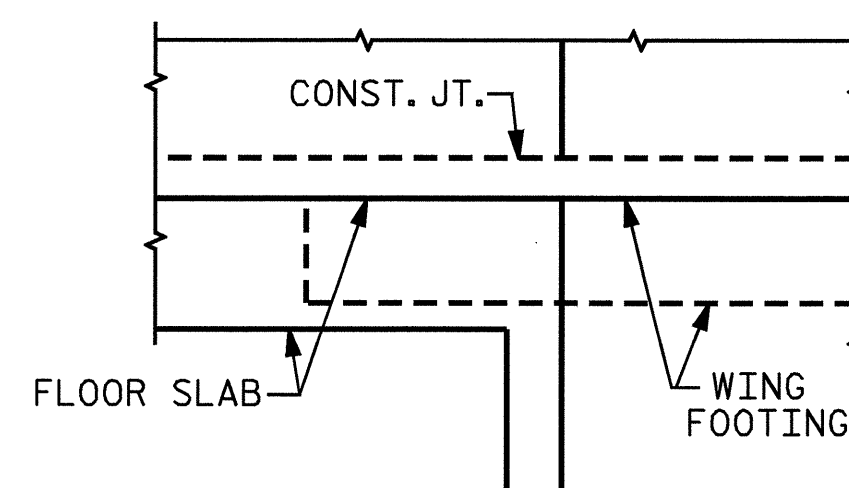
END ELEVATION NORMAL TO SKEW



SKEW TRIANGLE

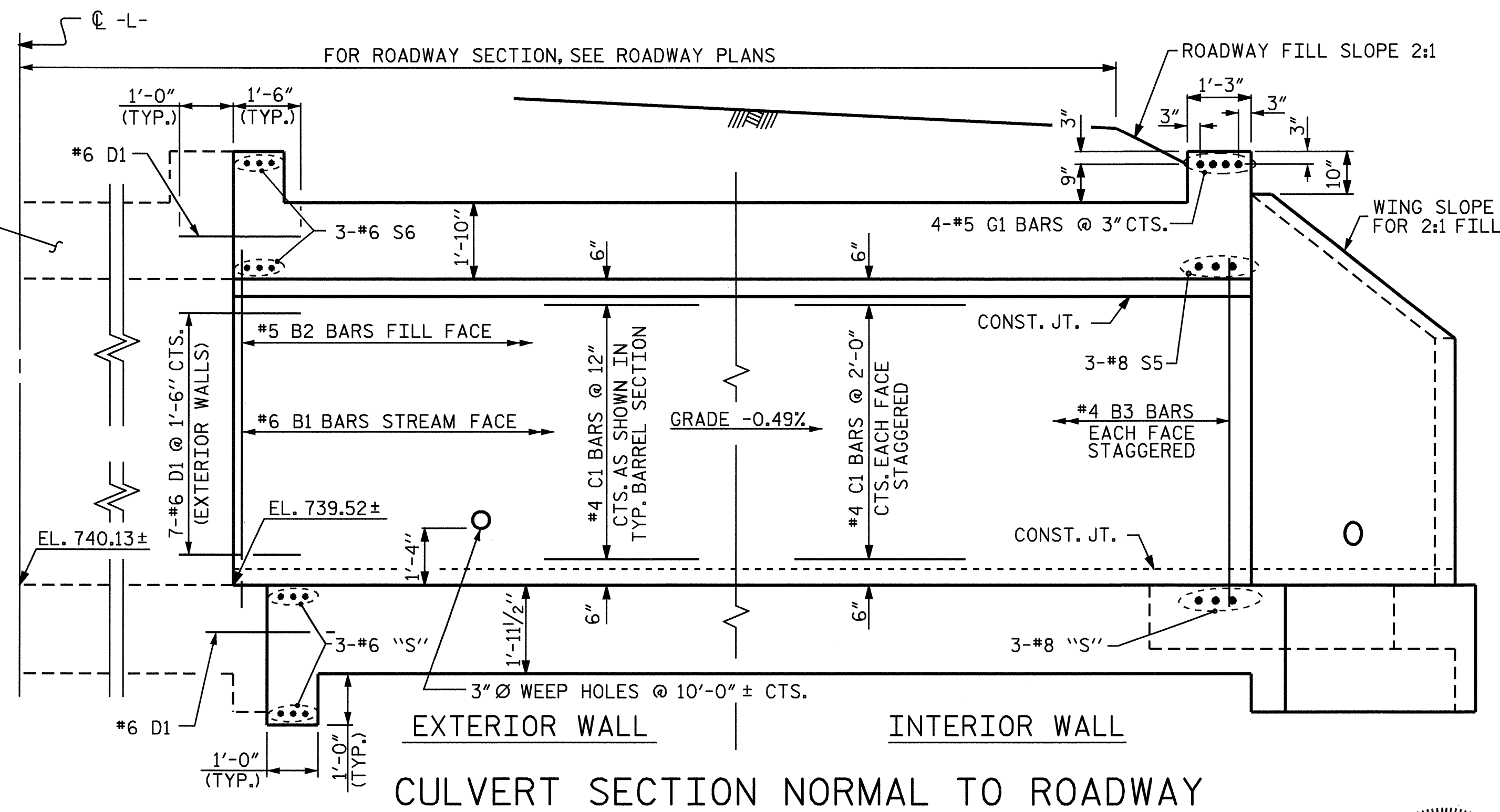


PART PLAN



PART ELEVATION

CONNECTION OF WING FOOTING AND FLOOR SLAB
WHEN SLAB IS THICKER THAN FOOTING DETAIL

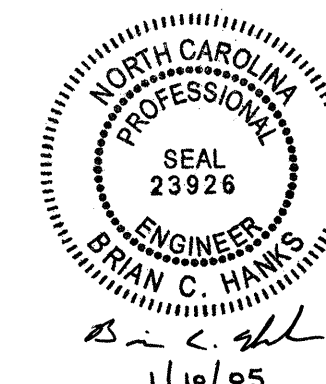


CULVERT SECTION NORMAL TO ROADWAY

PROJECT NO. U-3837
FORSYTH COUNTY
STATION: 24+21.46 -L-

SHEET 2 OF 6

STATE OF NORTH CAROLINA
DEPARTMENT OF TRANSPORTATION
RALEIGH
TRIPLE 8 FT. X 10 FT.
CONCRETE BOX CULVERT
EXTENSION
60° SKEW



DRAWN BY: William J. Parker DATE: 10/3/03
CHECKED BY: A.B. NAIK DATE: 11/26/03

07-JAN-2005 15:58
W:\squadg\TURNED\U3837\FINAL\STR3\U3837_sd.cul.03.dgn
KalFord

REVISIONS						SHEET NO.	
NO.	BY:	DATE:	NO.	BY:	DATE:	C-2	
1			3			TOTAL SHEETS	
2			4			6	

STR.#3