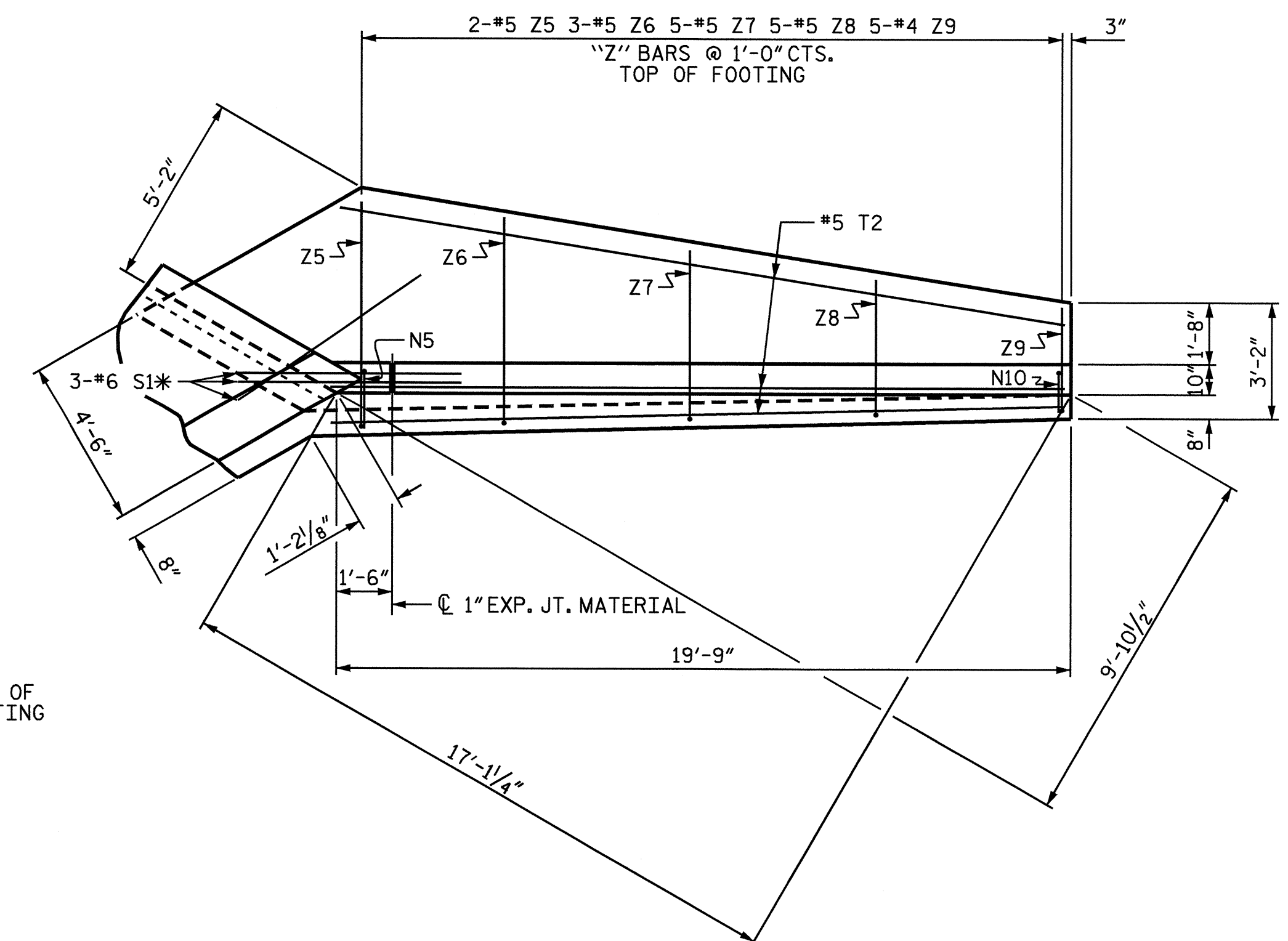
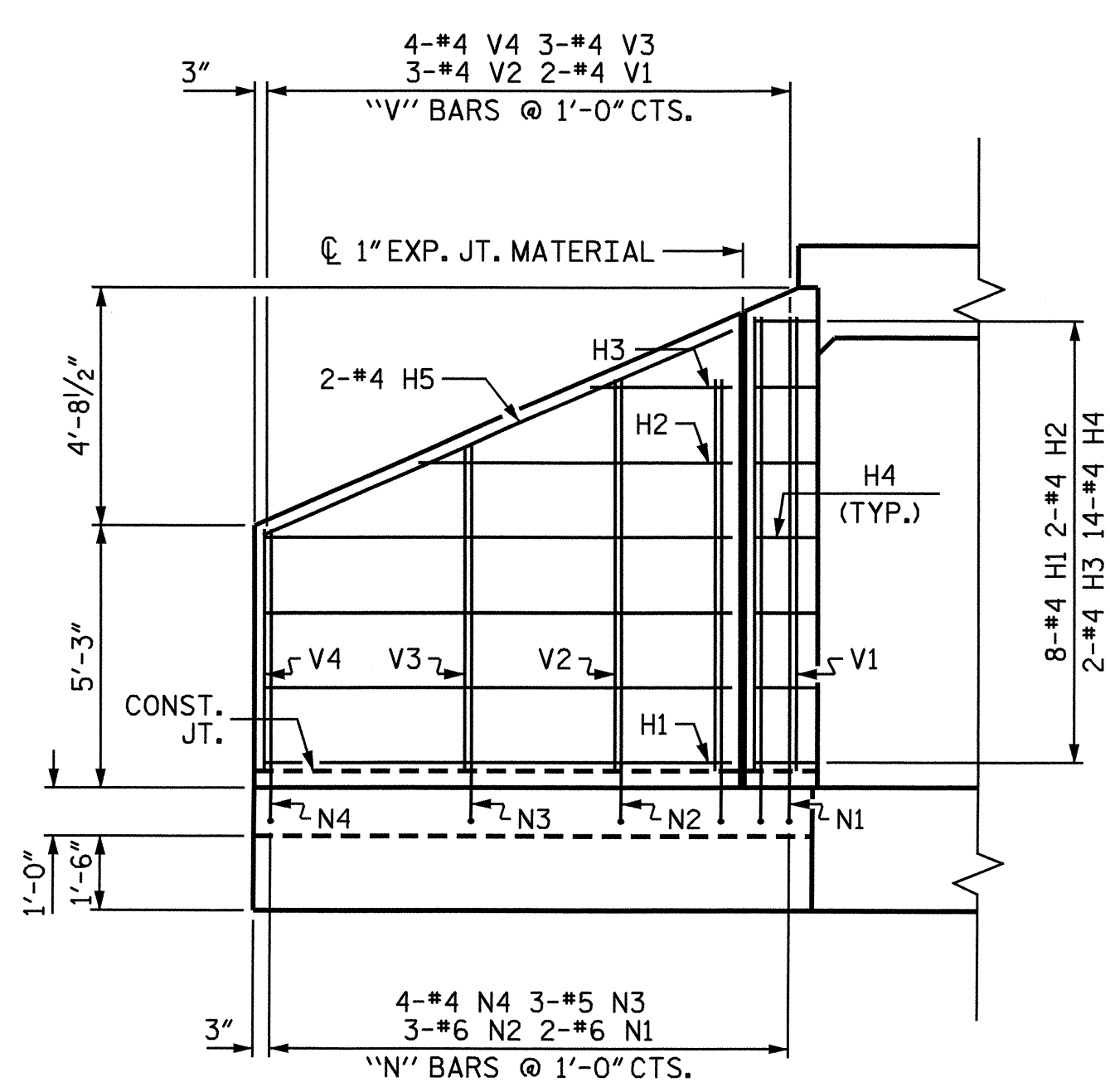


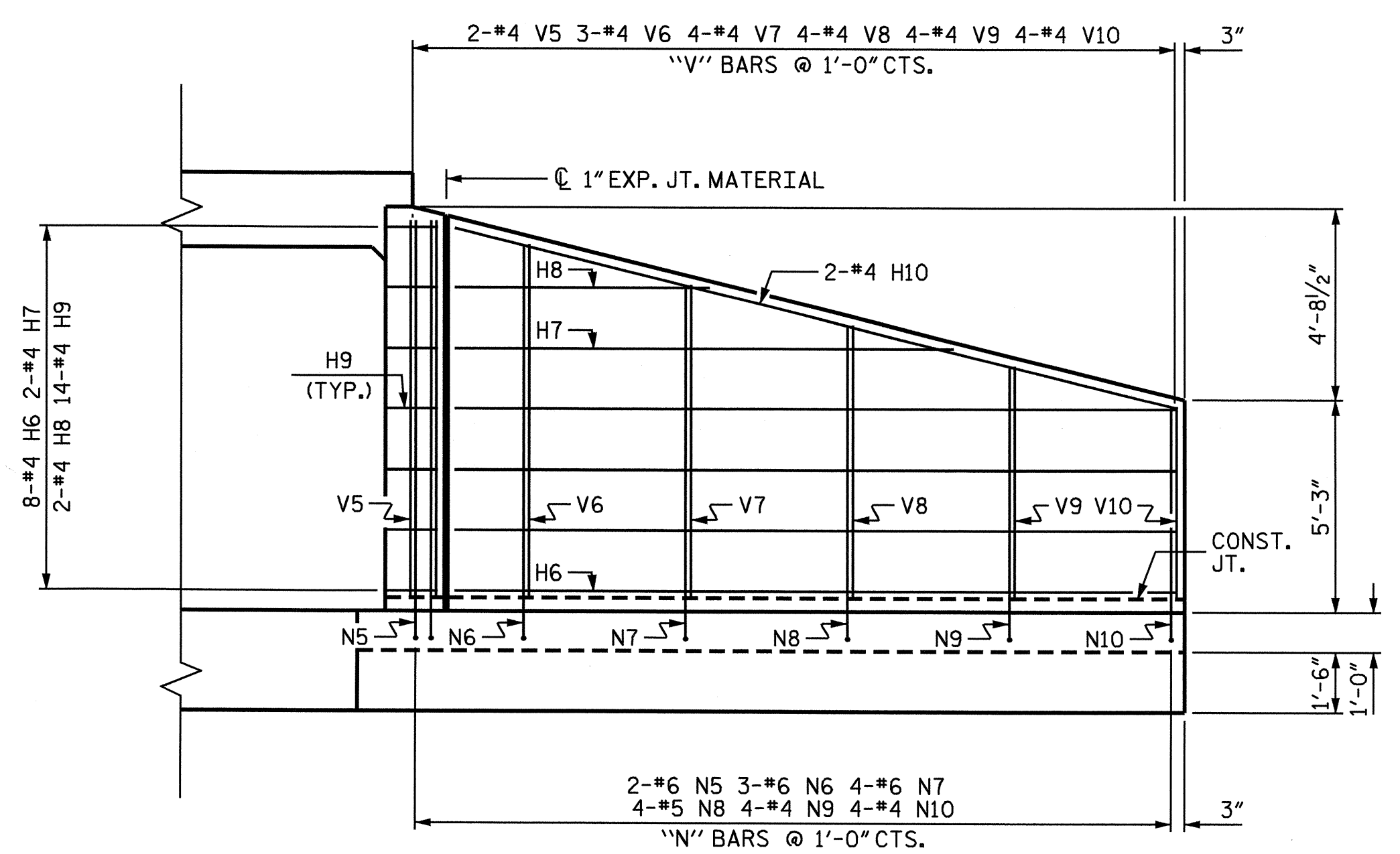
PLAN W2



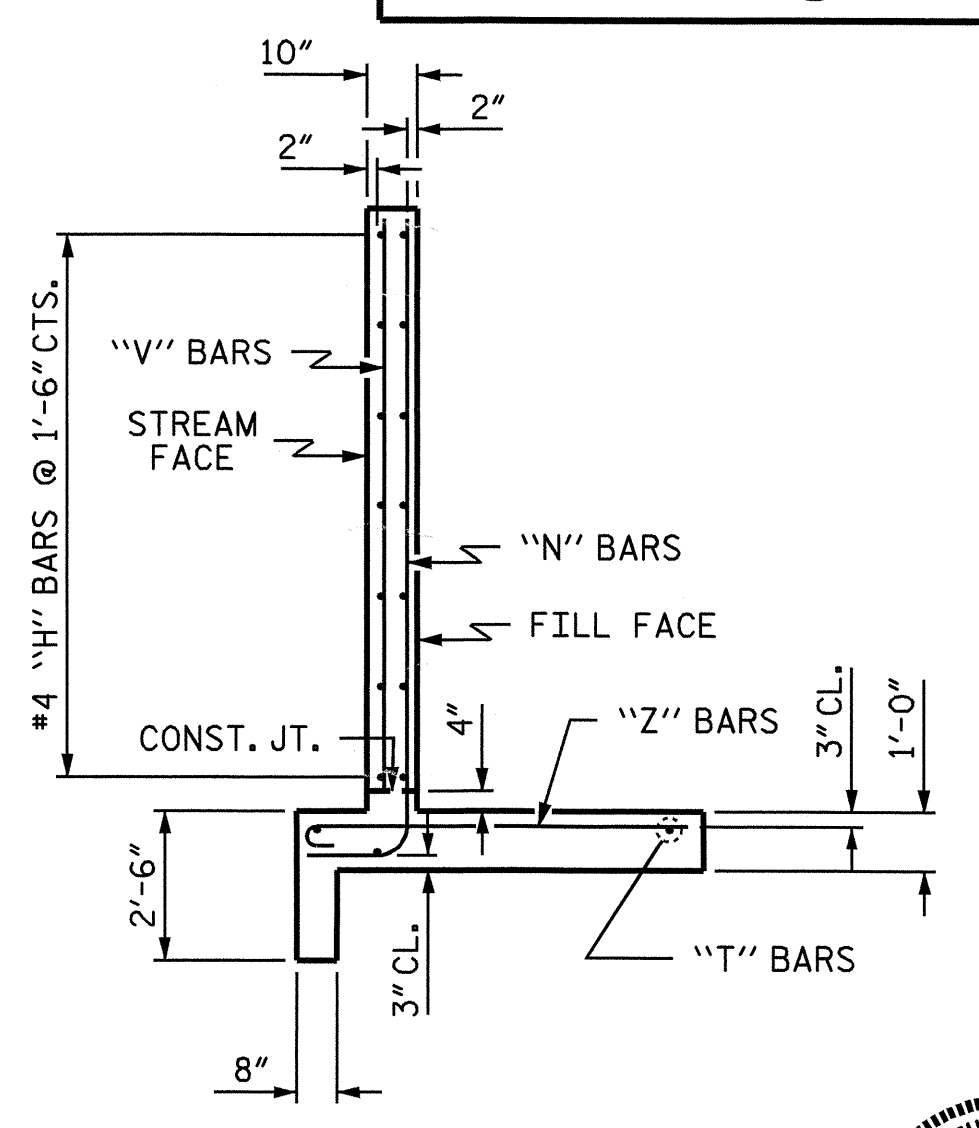
PLAN W1



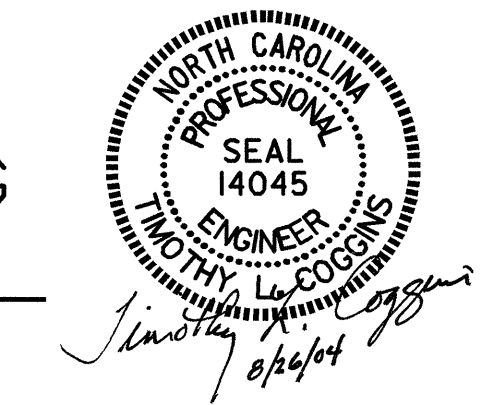
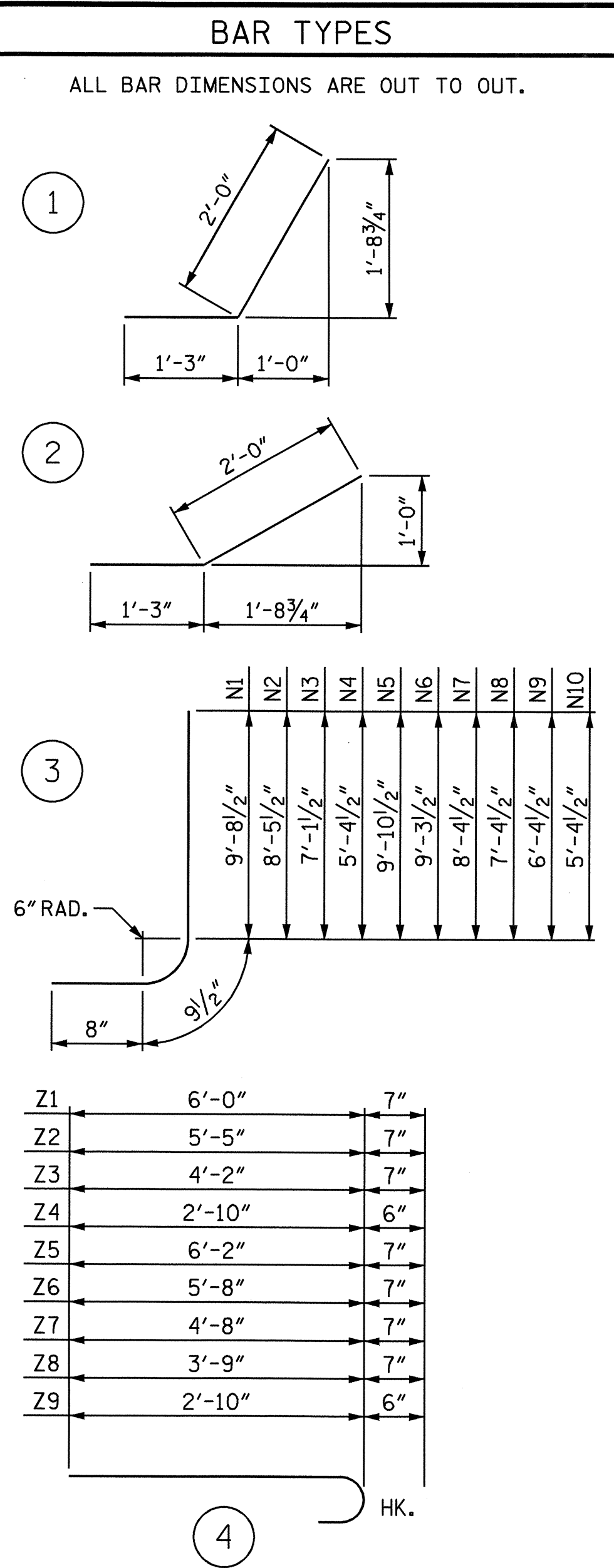
ELEVATION W2



ELEVATION W1



TYPICAL WING SECTION



BILL OF MATERIAL					
BAR	NO.	SIZE	TYPE	LENGTH	WEIGHT
H1	8	#4	STR	9'-4"	50
H2	2	#4	STR	6'-3"	8
H3	2	#4	STR	2'-10"	4
H4	14	#4	1	3'-3"	30
H5	2	#4	STR	10'-2"	14
H6	8	#4	STR	17'-10"	95
H7	2	#4	STR	12'-4"	16
H8	2	#4	STR	6'-3"	8
H9	14	#4	2	3'-3"	30
H10	2	#4	STR	18'-5"	25
N1	2	#6	3	11'-2"	34
N2	3	#6	3	9'-11"	45
N3	3	#5	3	8'-7"	27
N4	4	#4	3	6'-10"	18
N5	2	#6	3	11'-4"	34
N6	3	#6	3	10'-9"	48
N7	4	#6	3	9'-10"	59
N8	4	#5	3	8'-10"	37
N9	4	#4	3	7'-10"	21
N10	4	#4	3	6'-10"	18
S1	6	#6	STR	6'-0"	54
T1	3	#5	STR	11'-3"	35
T2	3	#5	STR	19'-9"	62
V1	2	#4	STR	9'-1"	12
V2	3	#4	STR	7'-10"	16
V3	3	#4	STR	6'-6"	13
V4	4	#4	STR	4'-10"	13
V5	2	#4	STR	9'-4"	12
V6	3	#4	STR	8'-9"	18
V7	4	#4	STR	7'-9"	21
V8	4	#4	STR	6'-9"	18
V9	4	#4	STR	5'-9"	15
V10	4	#4	STR	4'-9"	13
Z1	2	#5	4	6'-7"	14
Z2	2	#5	4	6'-0"	13
Z3	4	#5	4	4'-9"	20
Z4	4	#4	4	3'-4"	9
Z5	2	#5	4	6'-9"	14
Z6	3	#5	4	6'-3"	20
Z7	5	#5	4	5'-3"	27
Z8	5	#5	4	4'-4"	23
Z9	5	#4	4	3'-4"	11
REINFORCING STEEL					1074 LBS
FOR 2 WINGS					
CLASS A CONCRETE					
2 WINGS					15.1 CY
1 HEADWALL					0.7 CY
1 END CURTAIN WALL					0.7 CY
TOTAL					16.5 CY

PROJECT NO. B-3822

CATAWBA COUNTY

STATION: 15+93.00 -L-

SHEET 4 OF 4

STATE OF NORTH CAROLINA
DEPARTMENT OF TRANSPORTATION
RALEIGH
INLET WINGS
FOR
CONCRETE BOX CULVERT
H = 9'-0" SLOPE = 2:1
60° SKEW

REVISIONS						SHEET NO.
NO.	BY:	DATE:	NO.	BY:	DATE:	C-4
1			3			TOTAL SHEETS
2			4			4

ASSEMBLED BY : T.L. AVERETTE DATE : 3-03
CHECKED BY : P. ADKINS DATE : 4-03
DRAWN BY : CCJ 12/99
CHECKED BY : RWW 03/00