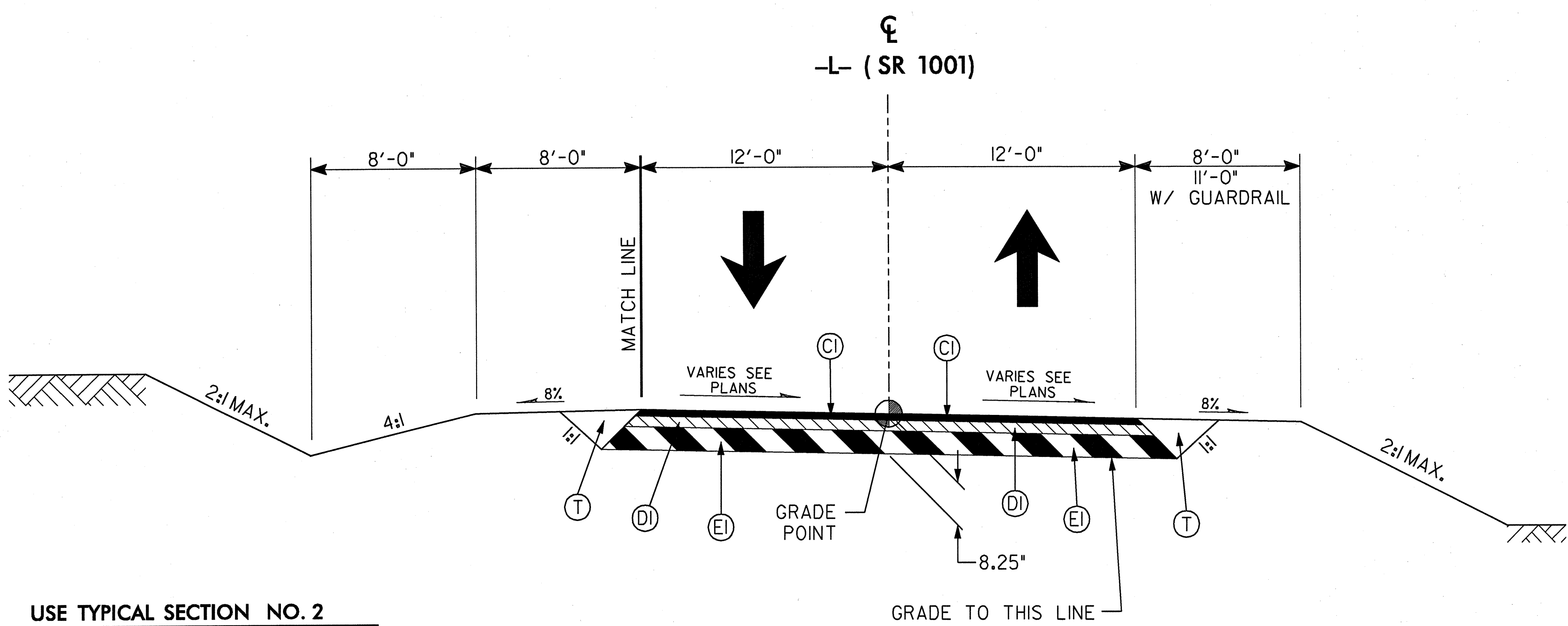


**USE TYPICAL SECTION NO. 1**  
 -L- STA. 12+00.00 TO -L- STA. 13+80.00  
 -L- STA. 30+53.00 TO -L- STA. 34+00.00

**TYPICAL SECTION NO. 1**



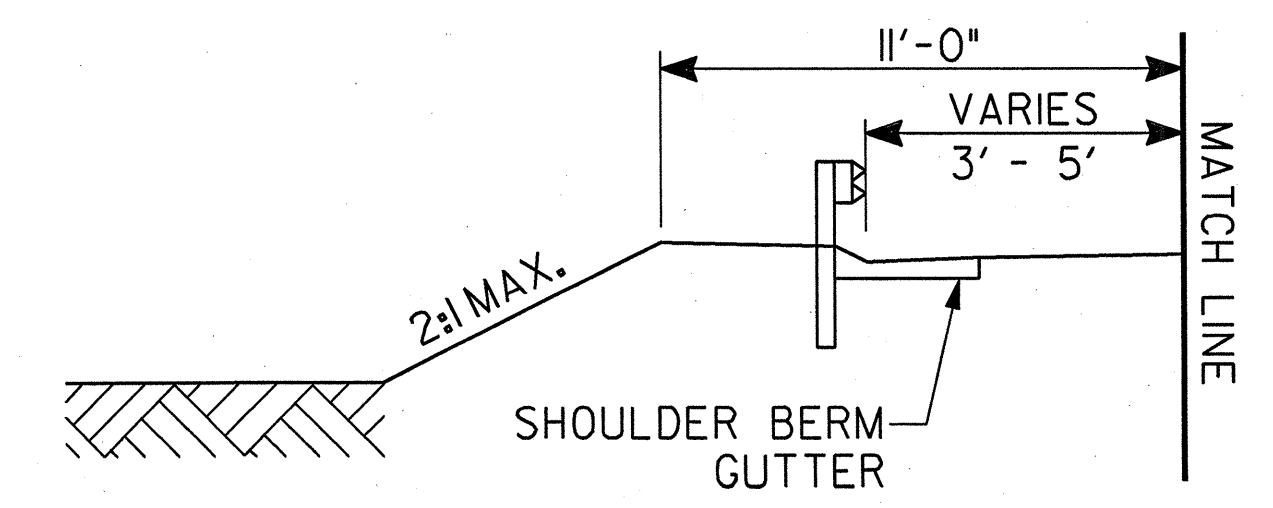
**USE TYPICAL SECTION NO. 2**  
 -L- STA. 13+80.00 TO -L- STA. 23+22.00 (BEGIN BRIDGE)  
 -L- STA. 24+60.00 (END BRIDGE) TO -L- STA. 30+53.00

**TYPICAL SECTION NO. 2**

**USE TYPICAL SECTION NO. 2A**  
 -L- STA. 20+00.00 LT. TO -L- STA. 22+99.65 LT.  
 -L- STA. 24+82.35 LT. TO -L- STA. 26+50.00 LT.

PAVEMENT SCHEDULE	
C1	PROP. APPROX. 2 1 / 2" ASPHALT CONCRETE SURFACE COURSE, TYPE SF9.5A, AT AN AVERAGE RATE OF 137.5 LBS. PER SQ. YD. IN EACH OF TWO LAYERS.
C2	PROP. VAR. DEPTH ASPHALT CONCRETE SURFACE COURSE, TYPE SF9.5A, AT AN AVERAGE RATE OF 110 LBS. PER SQ. YD. PER 1" DEPTH TO PLACED IN LAYERS NOT TO EXCEED 1 1 / 2" IN DEPTH.
D1	PROP. APPROX. 2 1 / 4" ASPHALT CONCRETE INTERMEDIATE COURSE, TYPE I19.0B, AT AN AVERAGE RATE OF 256.5 LBS. PER SQ. YD.
D2	PROP. VAR. DEPTH ASPHALT CONCRETE INTERMEDIATE COURSE, TYPE I19.0B, AT AN AVERAGE RATE OF 114 LBS. PER SQ. YD. PER 1" DEPTH TO PLACED IN LAYERS NOT LESS THAN 2 1 / 4" IN DEPTH OR GREATER THAN 4" IN DEPTH.
E1	PROP. APPROX. 3 1 / 2" ASPHALT CONCRETE BASE COURSE, TYPE B25.0B, AT AN AVERAGE RATE OF 399 LBS. PER SQ. YD.
E2	PROP. APPROX. 4" ASPHALT CONCRETE BASE COURSE, TYPE B25.0B, AT AN AVERAGE RATE OF 456 LBS. PER SQ. YD.
E3	PROP. VAR. DEPTH ASPHALT CONCRETE BASE COURSE, TYPE B25.0B, AT AN AVERAGE RATE OF 114 LBS. PER SQ. YD. PER 1" DEPTH TO PLACED IN LAYERS NOT LESS THAN 3" IN DEPTH OR GREATER THAN 5 1 / 2" IN DEPTH.
T	EARTH MATERIAL.
U	EXISTING PAVEMENT.
W	WEDGING

NOTE: PAVEMENT EDGE SLOPES ARE 1:1 UNLESS SHOWN OTHERWISE.



**TYPICAL SECTION NO. 2A**