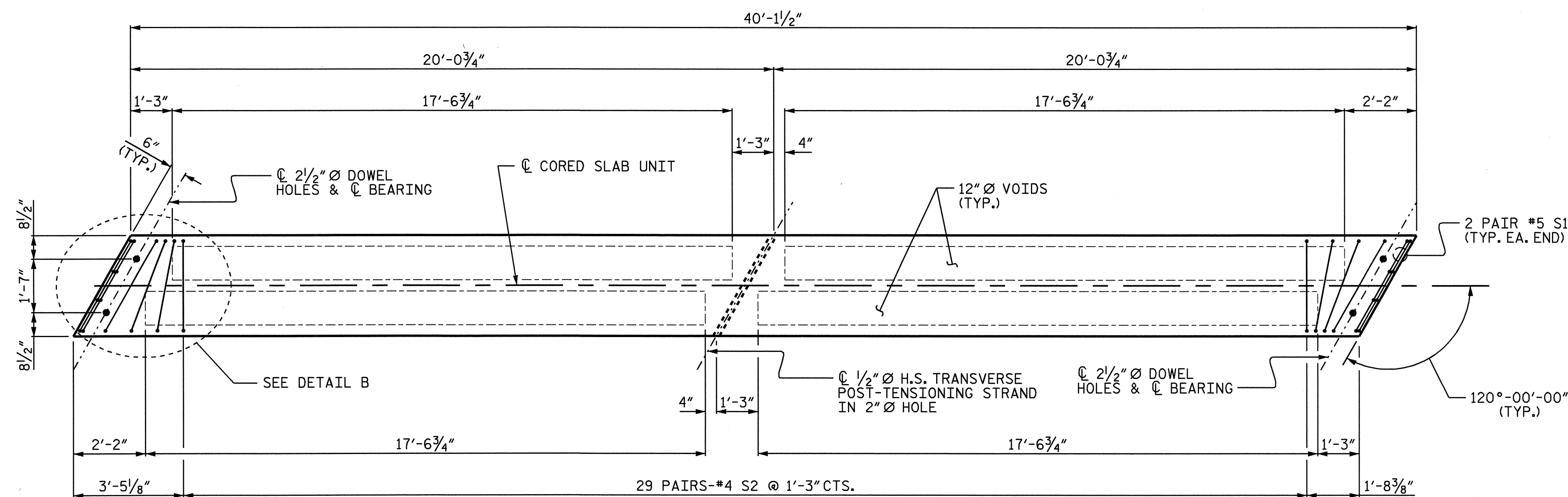


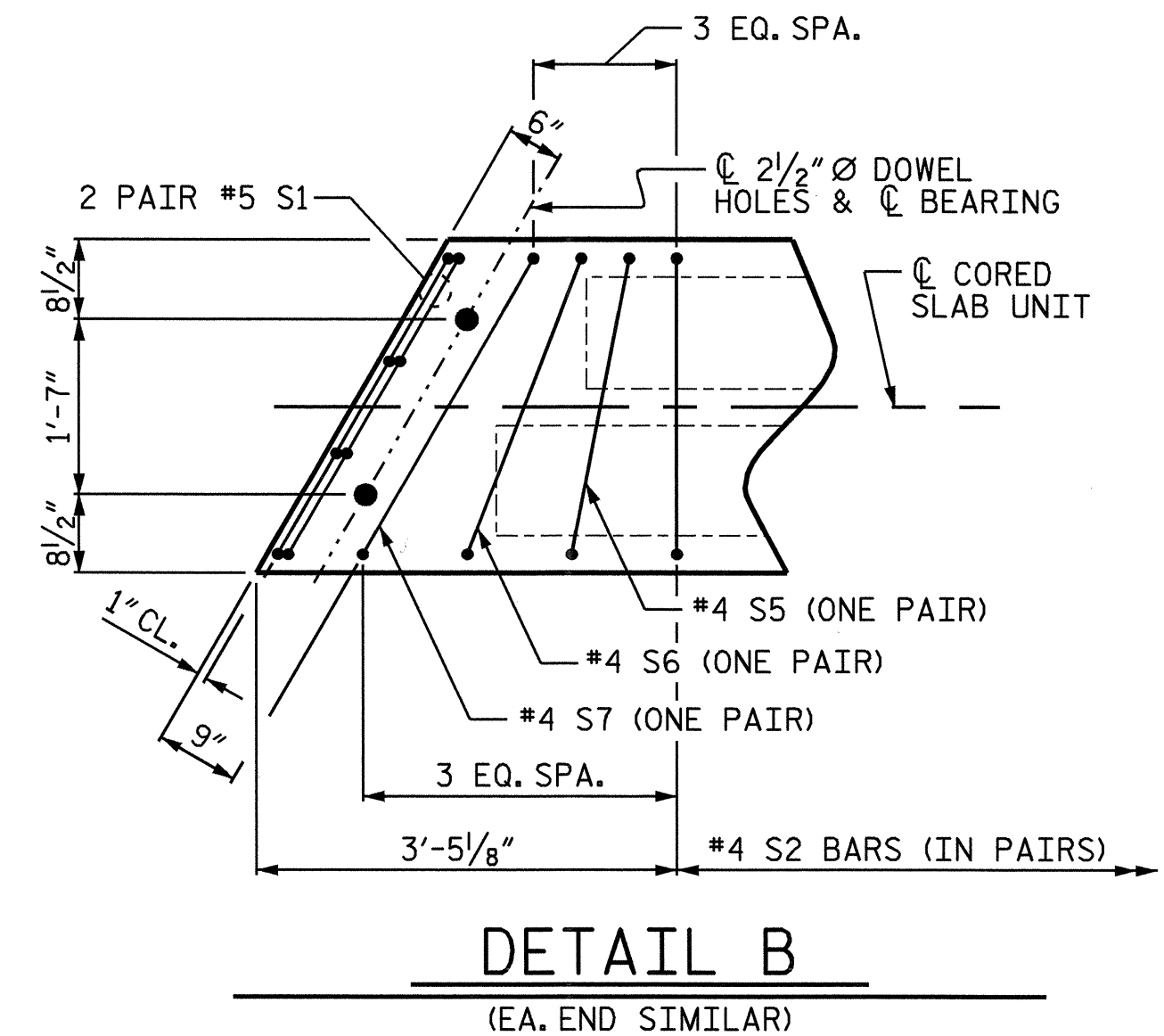
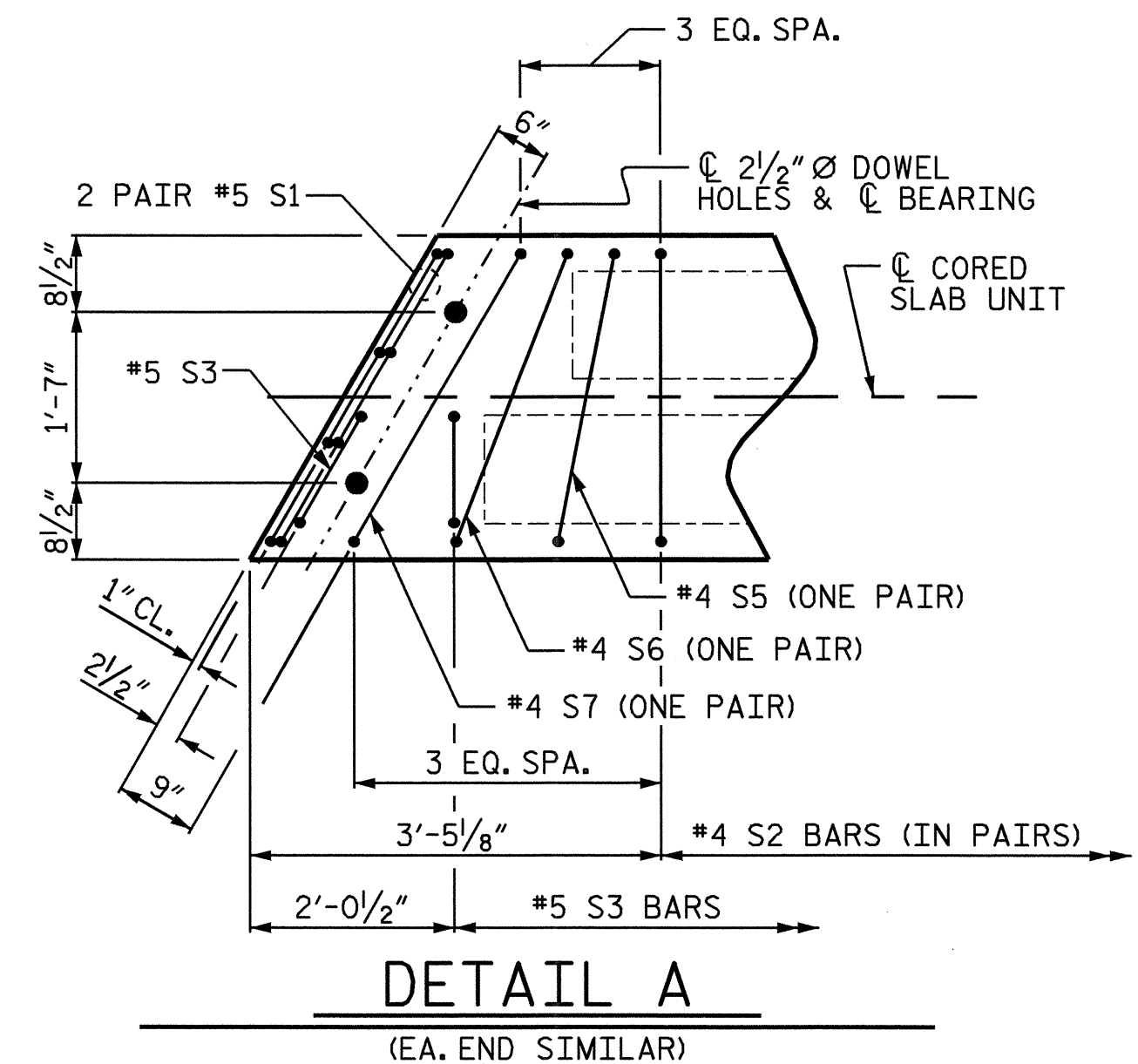
PLAN OF EXTERIOR CORED SLAB UNIT

(SPANS "A" AND "C")



PLAN OF INTERIOR CORED SLAB UNIT

(SPANS "A" AND "C")



PROJECT NO. B-3899
ROCKINGHAM COUNTY
 STATION: 23+91.00 -L-

SHEET 5 OF 7

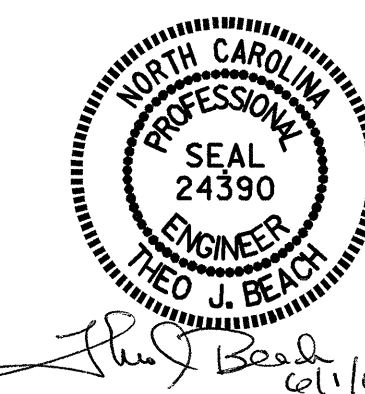
STATE OF NORTH CAROLINA
 DEPARTMENT OF TRANSPORTATION
 RALEIGH

PLAN OF
 3'-0" X 1'-9"
 CORED SLAB UNIT
 SPANS "A" & "C"

REVISIONS

NO.	BY:	DATE:	NO.	BY:	DATE:
1			3		
2			4		

SHEET NO.	
S-8	
TOTAL SHEETS	
24	



NOTE:
 THE #5 S3 BARS AND #4 S2 PAIRS MAY BE SHIFED SLIGHTLY IN ORDER TO MAINTAIN A 2" MIN. CL. TO THE 2" Ø HOLE AT THE TRANSVERSE POST-TENSIONING STRANDS.

DRAWN BY: P.C. BREWER DATE: 3/29/04
 CHECKED BY: S.B. WILLIAMS DATE: 5/5/04