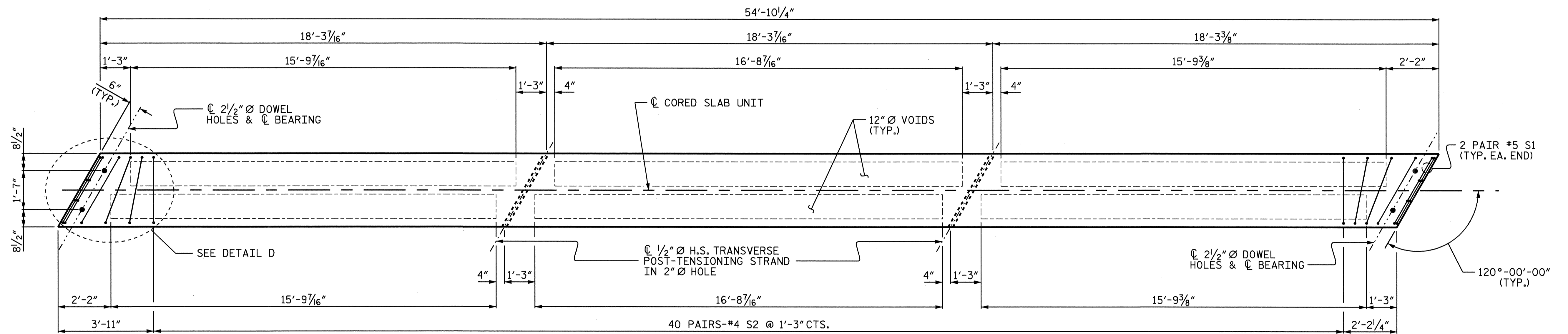


**PLAN OF EXTERIOR CORED SLAB UNIT**

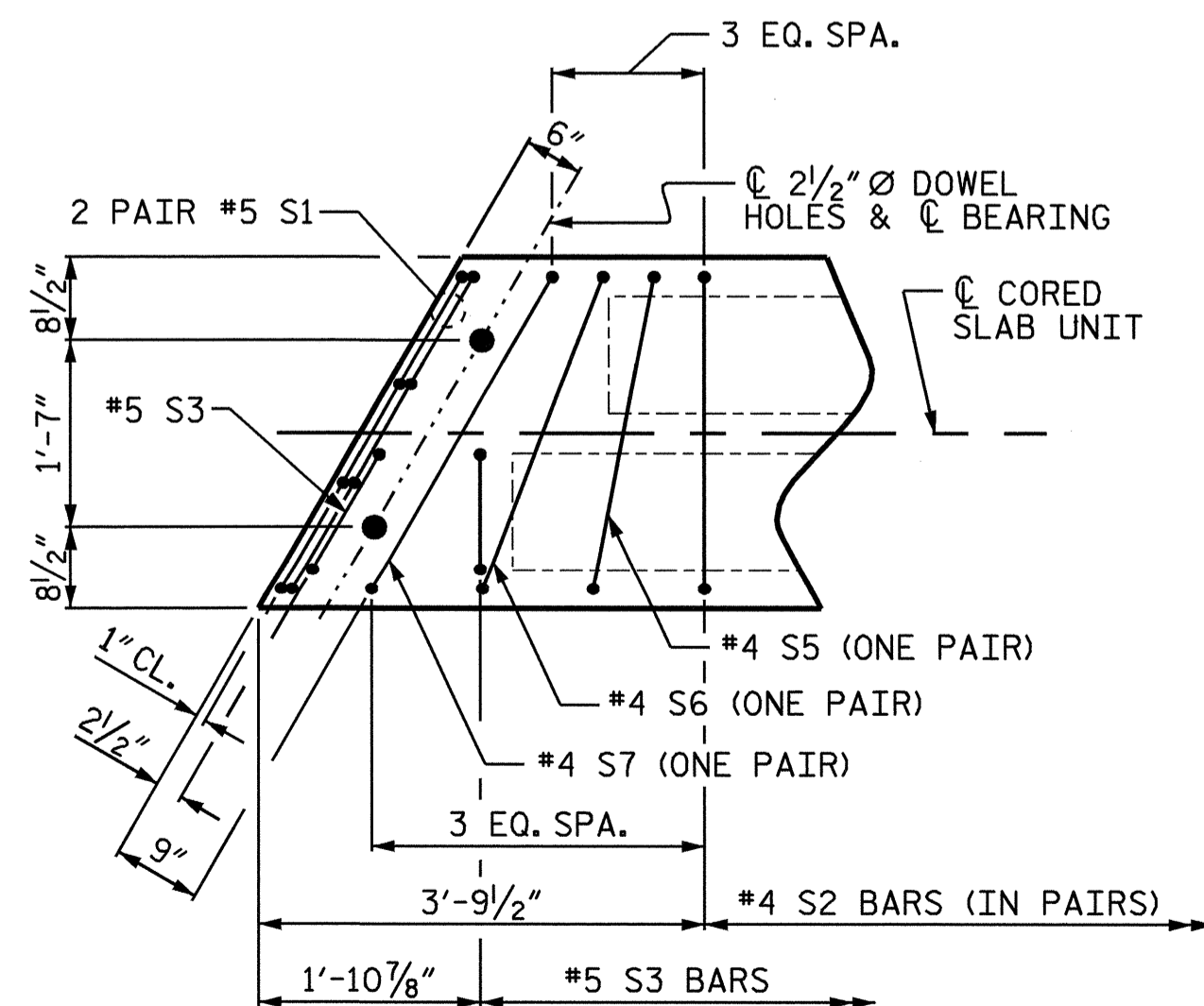
(SPAN "B" ONLY)



**PLAN OF INTERIOR CORED SLAB UNIT**

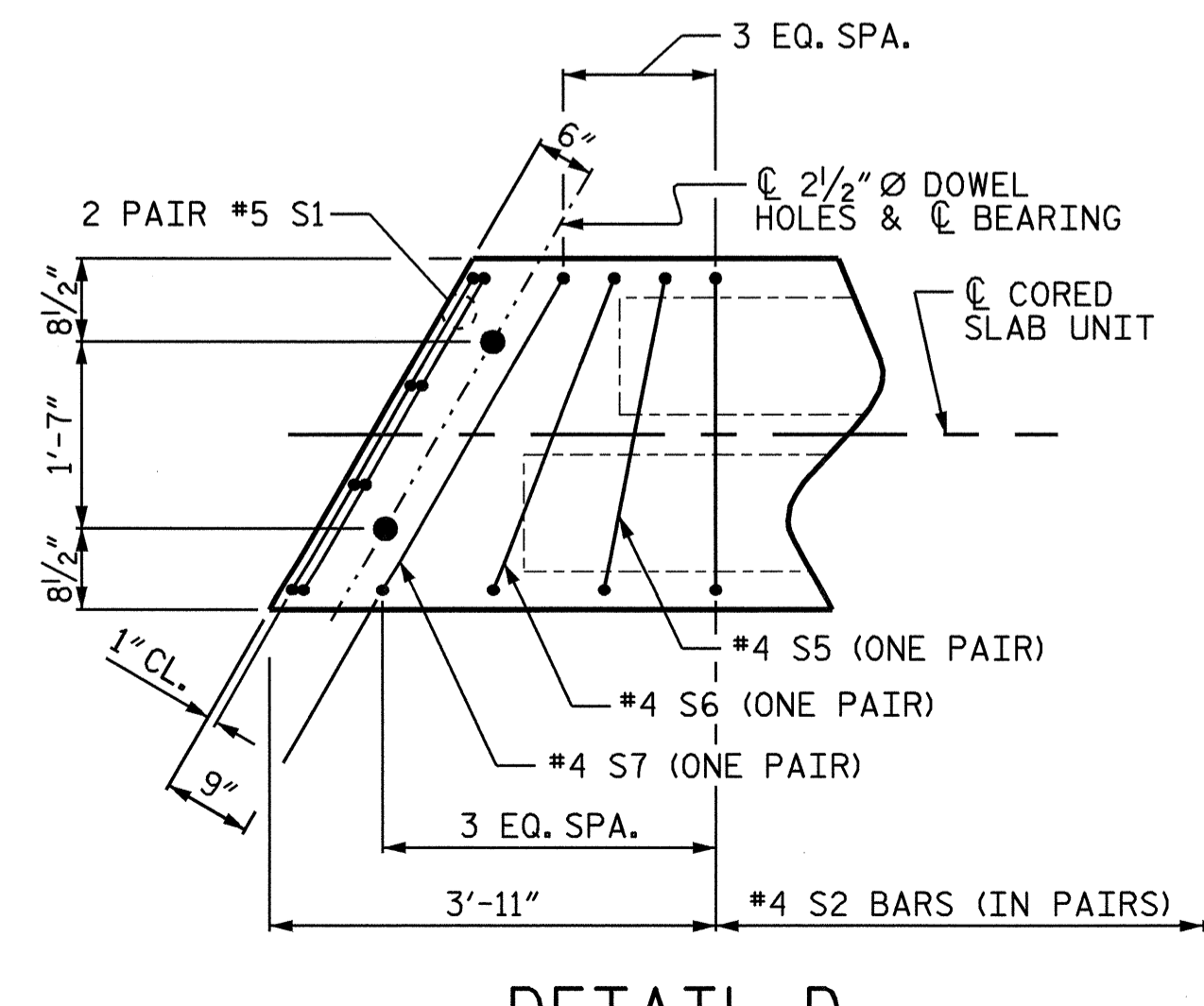
(SPAN "B" ONLY)

NOTE:  
THE #5 S3 BARS AND #4 S2 PAIRS MAY BE SHIFTED SLIGHTLY IN ORDER TO MAINTAIN A 2" MIN. CL. TO THE 2" Ø HOLE AT THE TRANSVERSE POST-TENSIONING STRANDS.



**DETAIL C**

(EA. END SIMILAR)



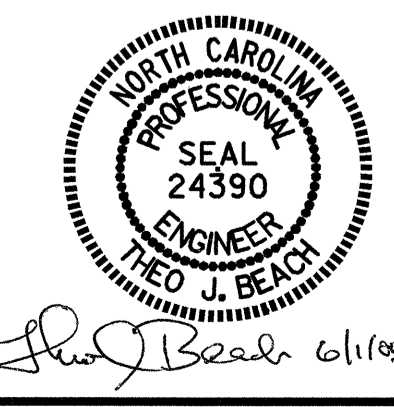
**DETAIL D**

(EA. END SIMILAR)

PROJECT NO. B-3899  
ROCKINGHAM COUNTY  
 STATION: 23+91.00 -L-  
 SHEET 6 OF 7

STATE OF NORTH CAROLINA  
 DEPARTMENT OF TRANSPORTATION  
 RALEIGH

**PLAN OF  
 3'-0" X 1'-9"  
 CORED SLAB UNIT  
 SPAN "B"**



DRAWN BY : P.C. BREWER DATE : 3/24/04  
 CHECKED BY : S.B. WILLIAMS DATE : 5/5/04

REVISIONS			SHEET NO.		
NO.	BY:	DATE:	NO.	BY:	DATE:
1			3		
2			4		

TOTAL SHEETS: 24