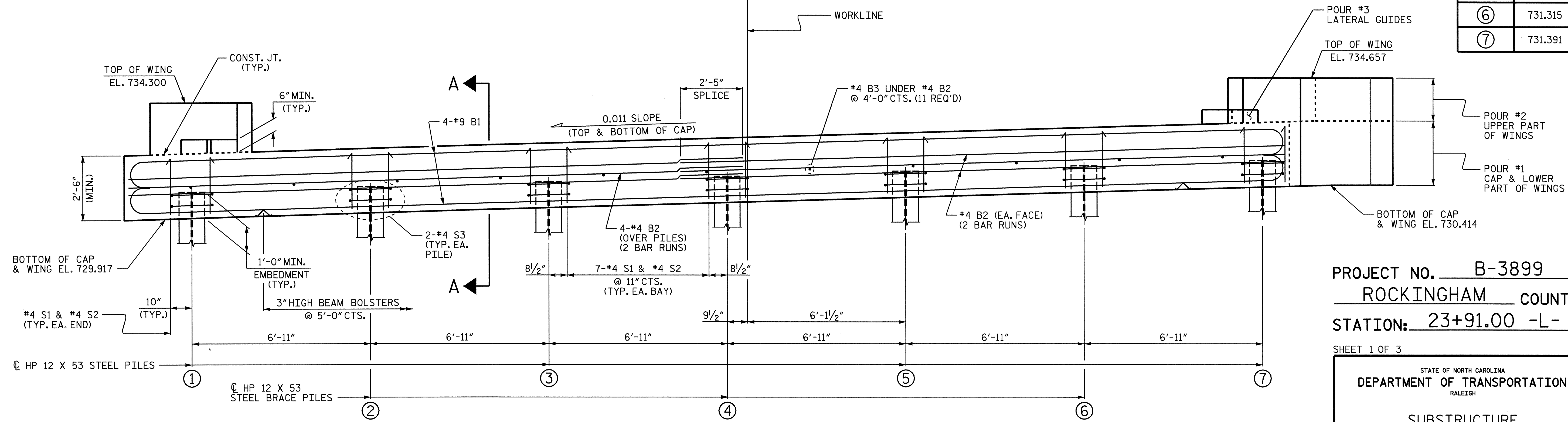


PLAN

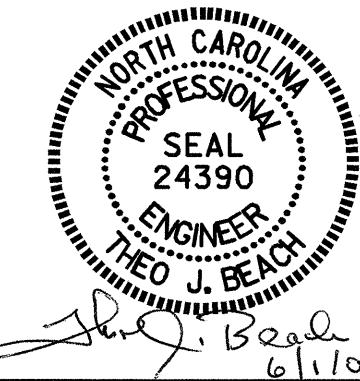
TOP OF PILE ELEVATIONS	
①	730.935
②	731.011
③	731.087
④	731.163
⑤	731.239
⑥	731.315
⑦	731.391



ELEVATION

PROJECT NO. B-3899
ROCKINGHAM COUNTY
 STATION: 23+91.00 -L-

SHEET 1 OF 3
 STATE OF NORTH CAROLINA
 DEPARTMENT OF TRANSPORTATION
 RALEIGH
 SUBSTRUCTURE
 END BENT No. 1



DRAWN BY: P.C. BREWER DATE: 6/9/04
 CHECKED BY: S.B. WILLIAMS DATE: 6/29/04

REVISIONS						SHEET NO. S-11 TOTAL SHEETS 24
NO.	BY:	DATE:	NO.	BY:	DATE:	
1			3			
2			4			

31-MAY-2005 12:20
 R:\STRUCT\B3899\pbrewer\MICROSOFT\B3899_02.DGN
 NP1ERCE