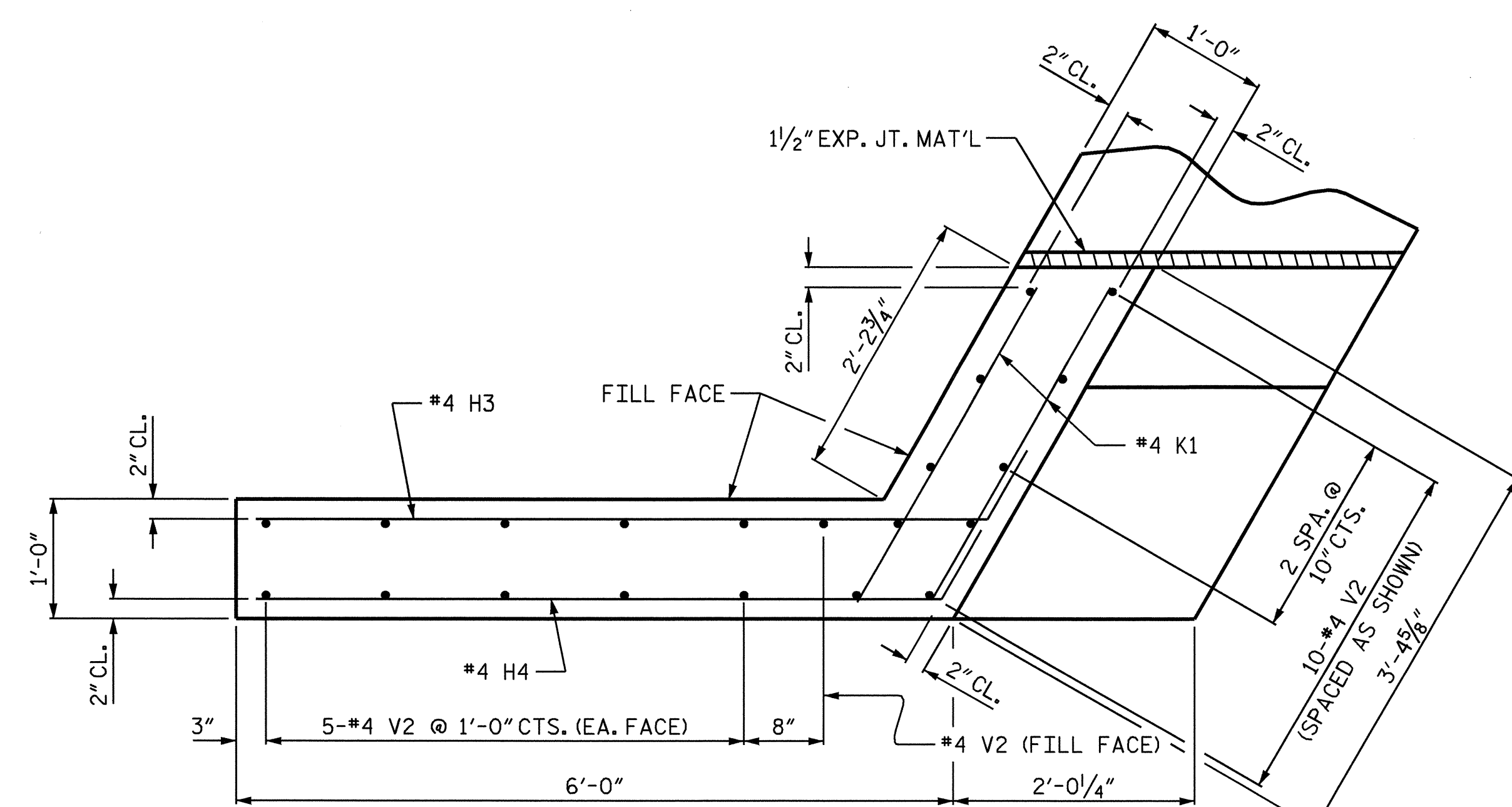
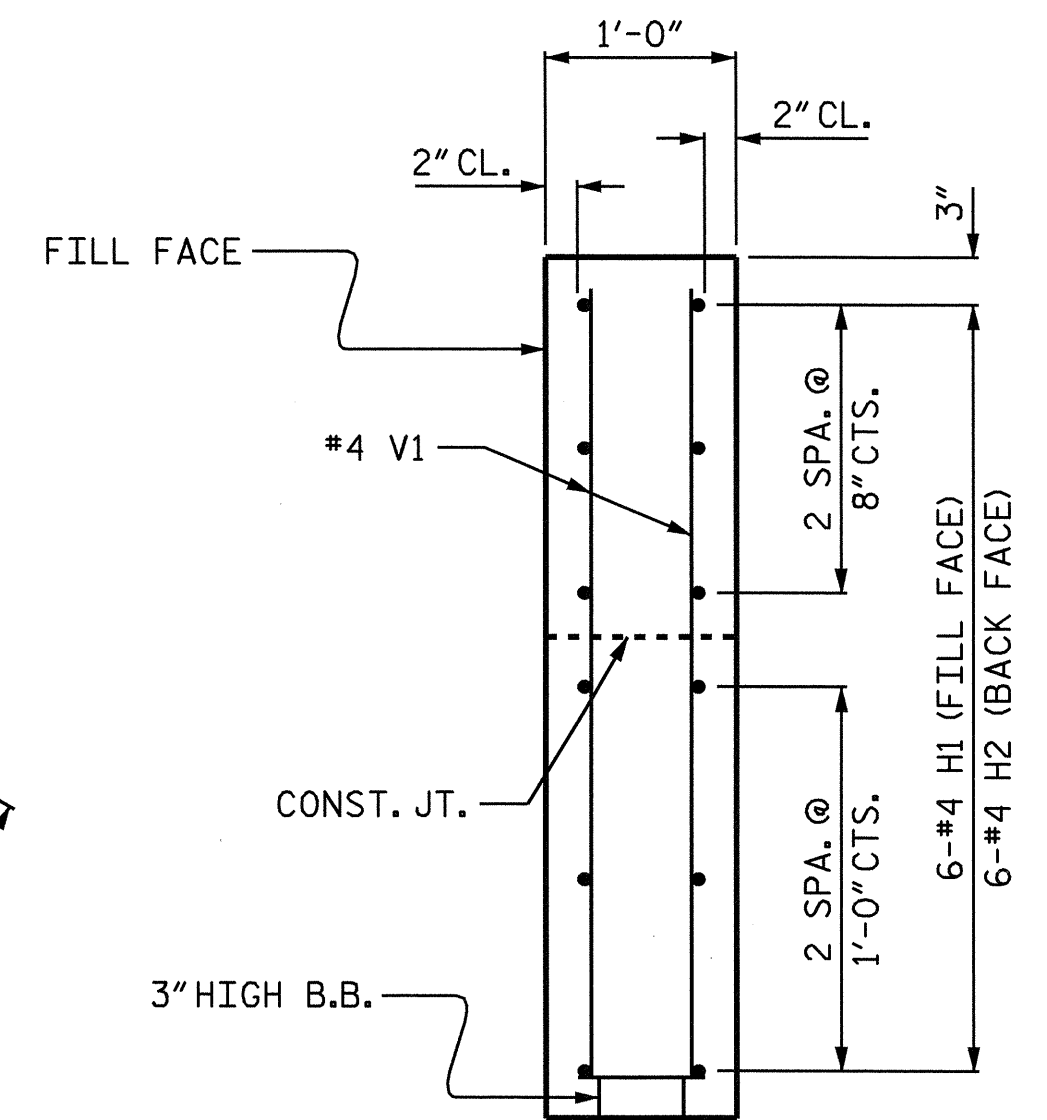


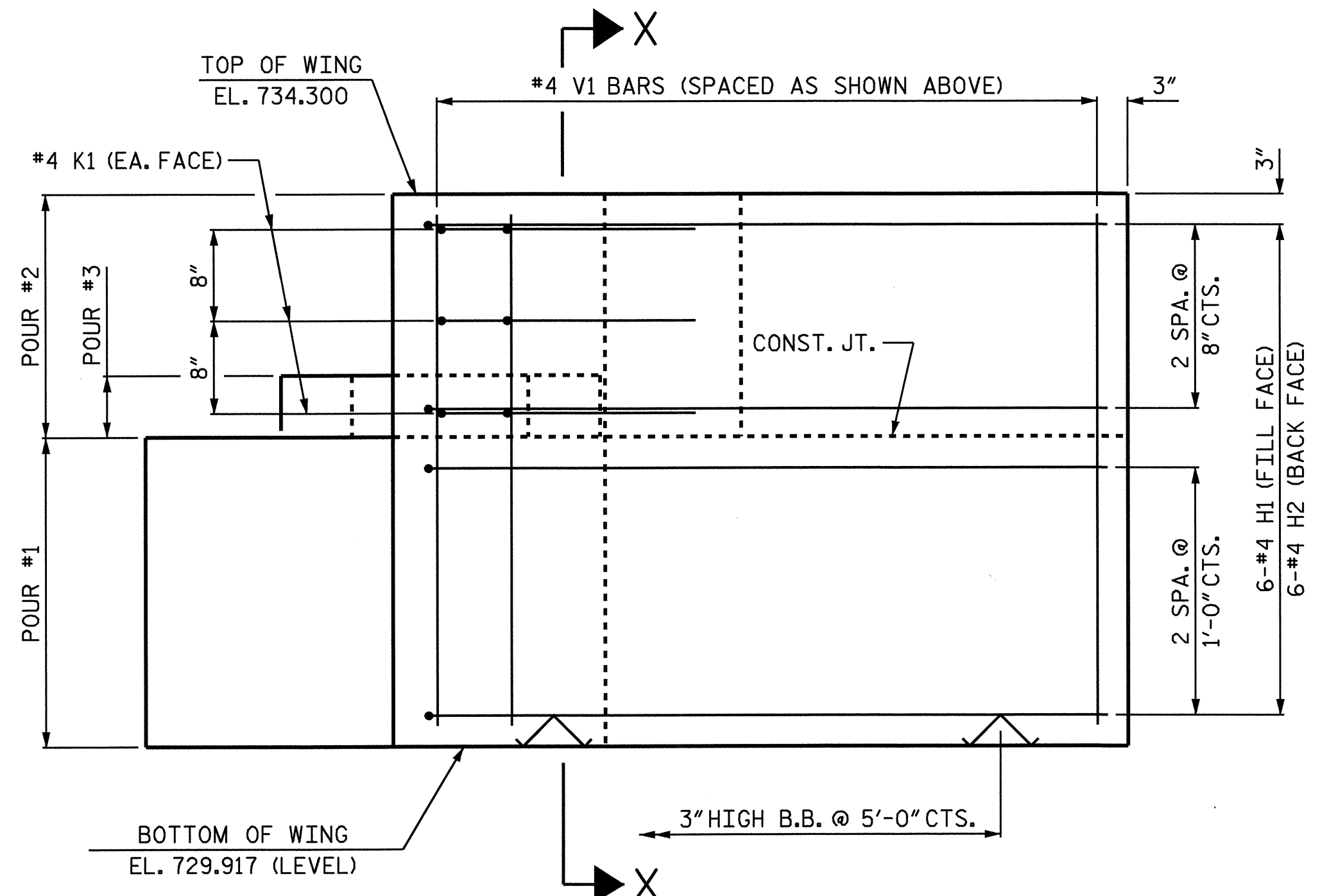
PLAN OF WING (W1)



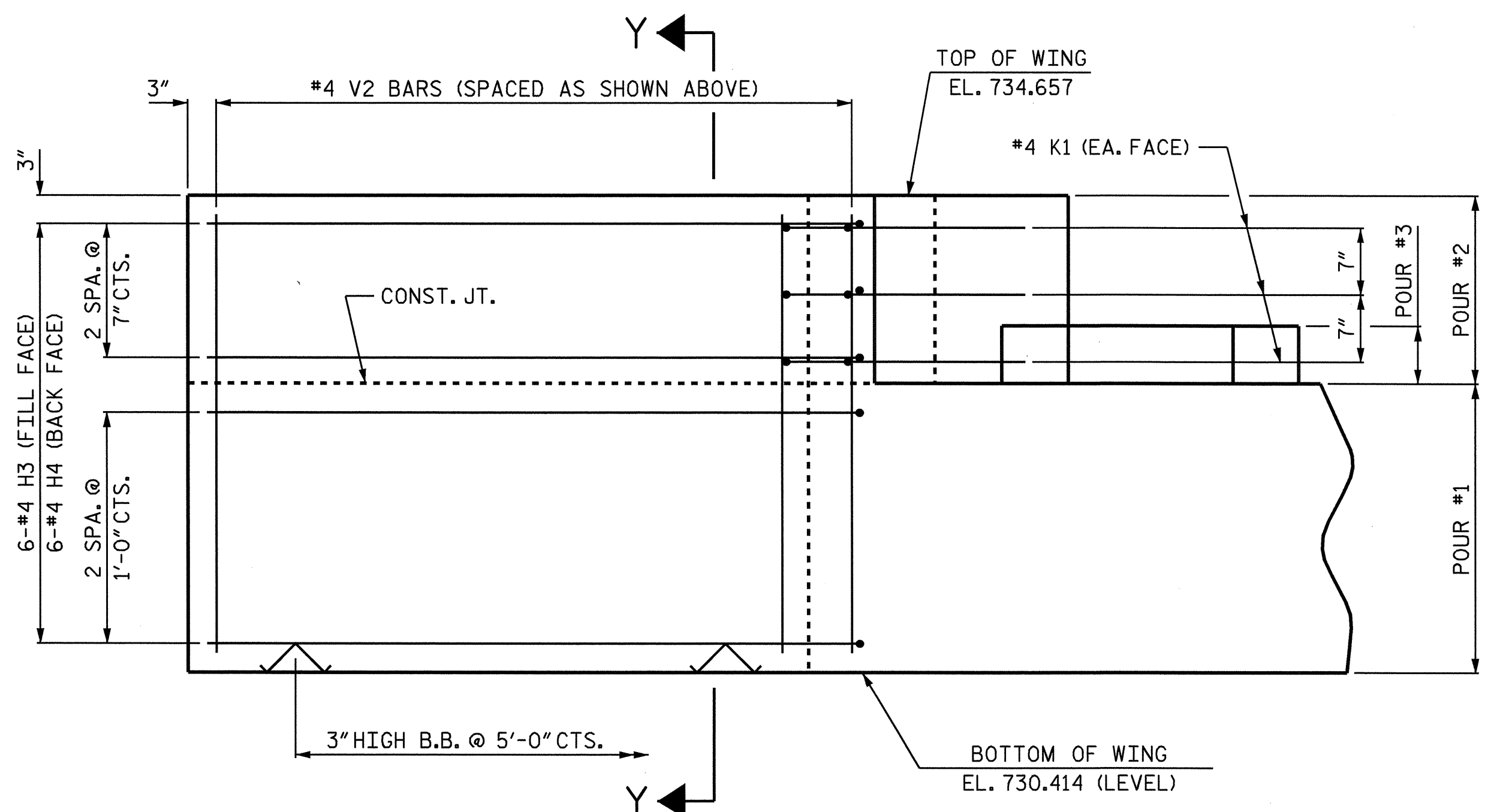
PLAN OF WING (W2)



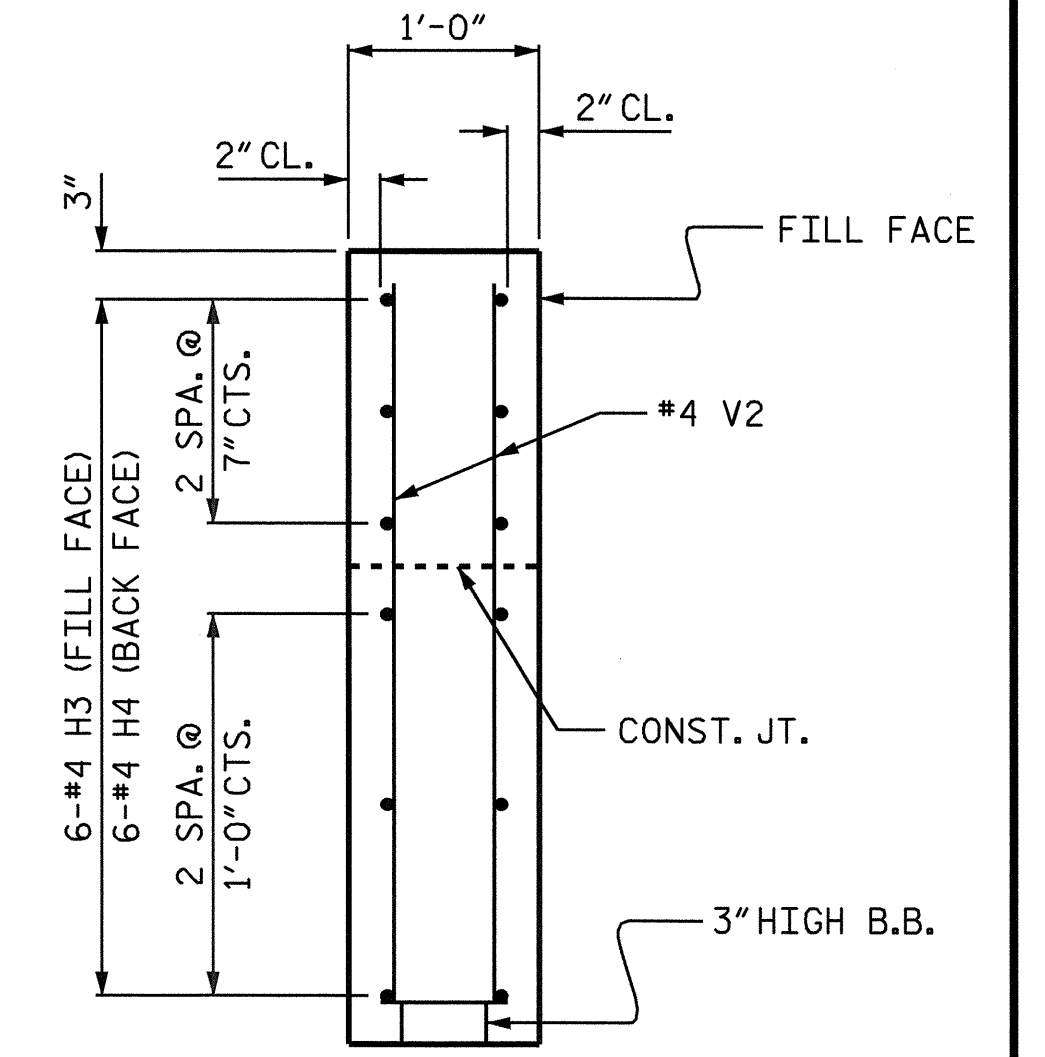
SECTION X-X



ELEVATION OF WING (W1)



ELEVATION OF WING (W2)



SECTION Y-Y

PROJECT NO. B-3899  
 ROCKINGHAM COUNTY  
 STATION: 23+91.00 -L-  
 SHEET 2 OF 3

STATE OF NORTH CAROLINA  
 DEPARTMENT OF TRANSPORTATION  
 RALEIGH

SUBSTRUCTURE  
 END BENT No. 1

REVISIONS						SHEET NO.	
NO.	BY:	DATE:	NO.	BY:	DATE:	S-12	
1			3			SHEETS	
2			4			24	

DRAWN BY: P.C. BREWER DATE: 6/16/04  
 CHECKED BY: S.B. WILLIAMS DATE: 6/29/04

31-MAY-2005 12:20  
 RASTRUCT\B3899\pbrewer\MICROS2\B3899.dgn  
 NPIERCE

