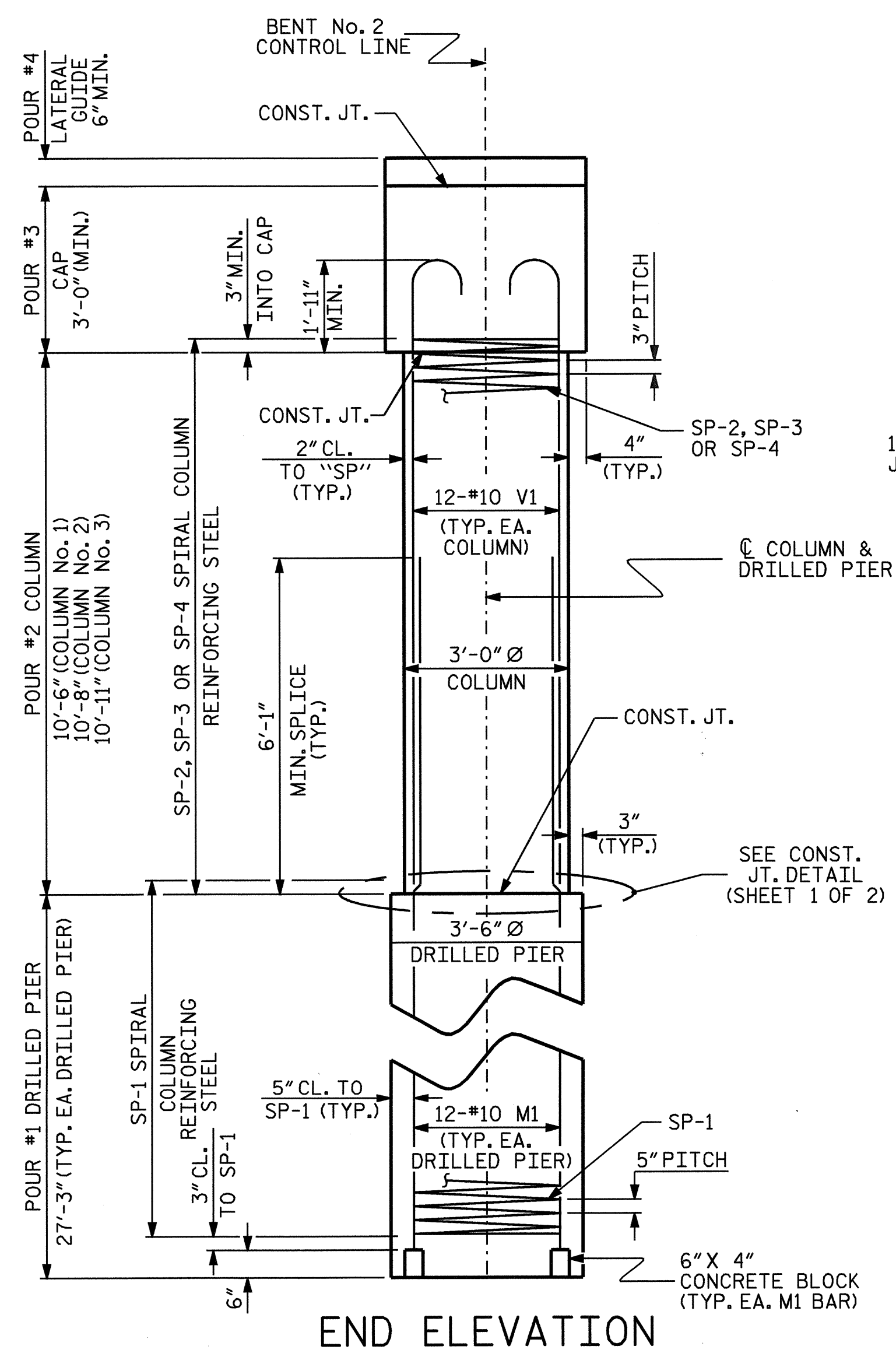
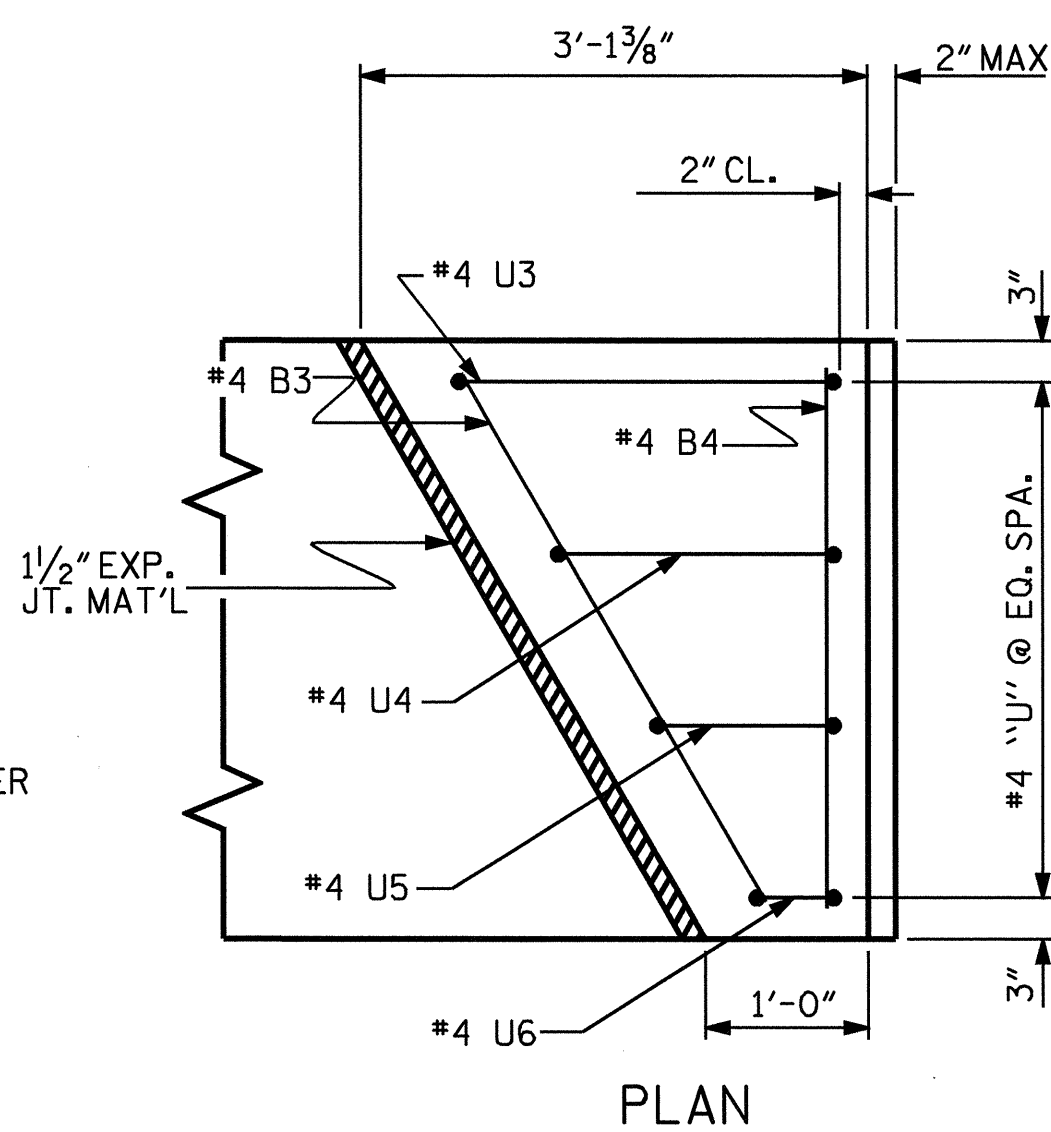


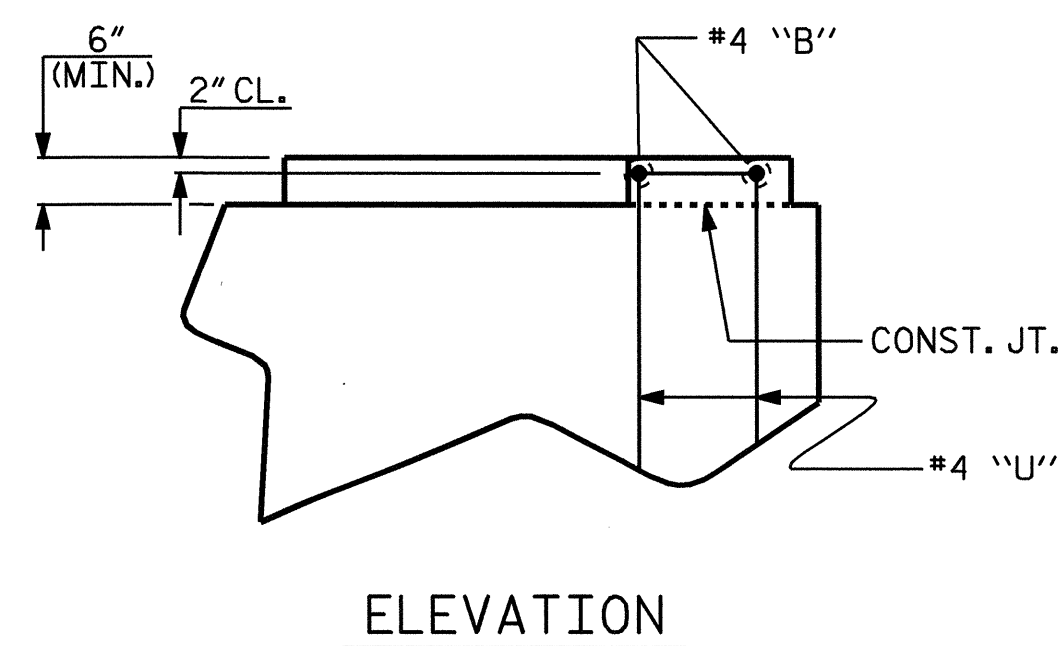
PLAN OF DRILLED PIERS & COLUMNS



END ELEVATION



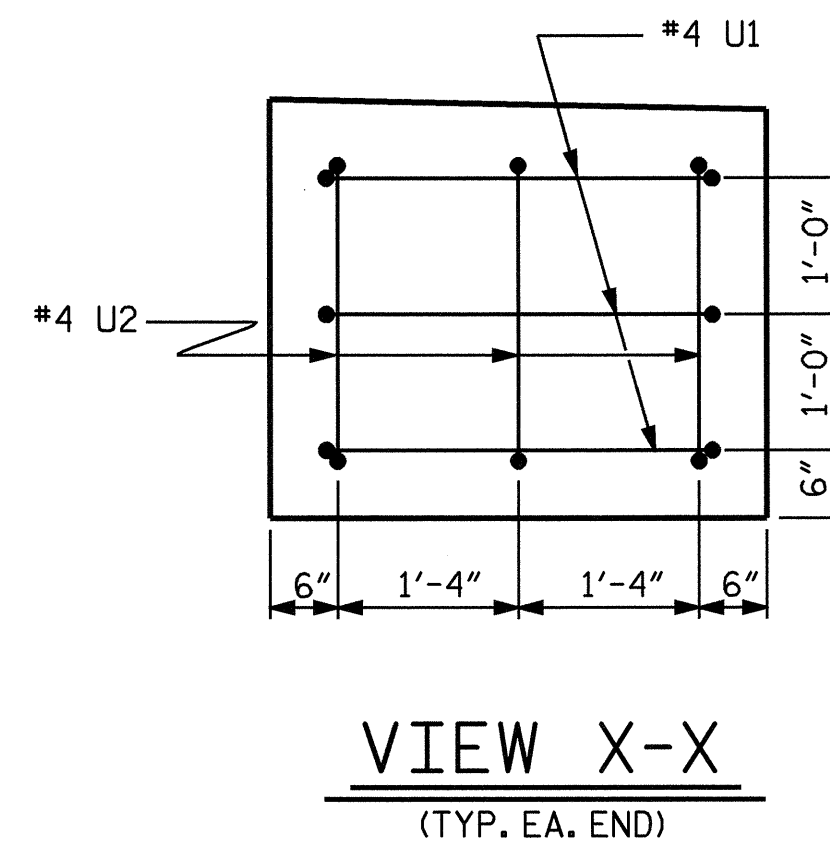
PLAN



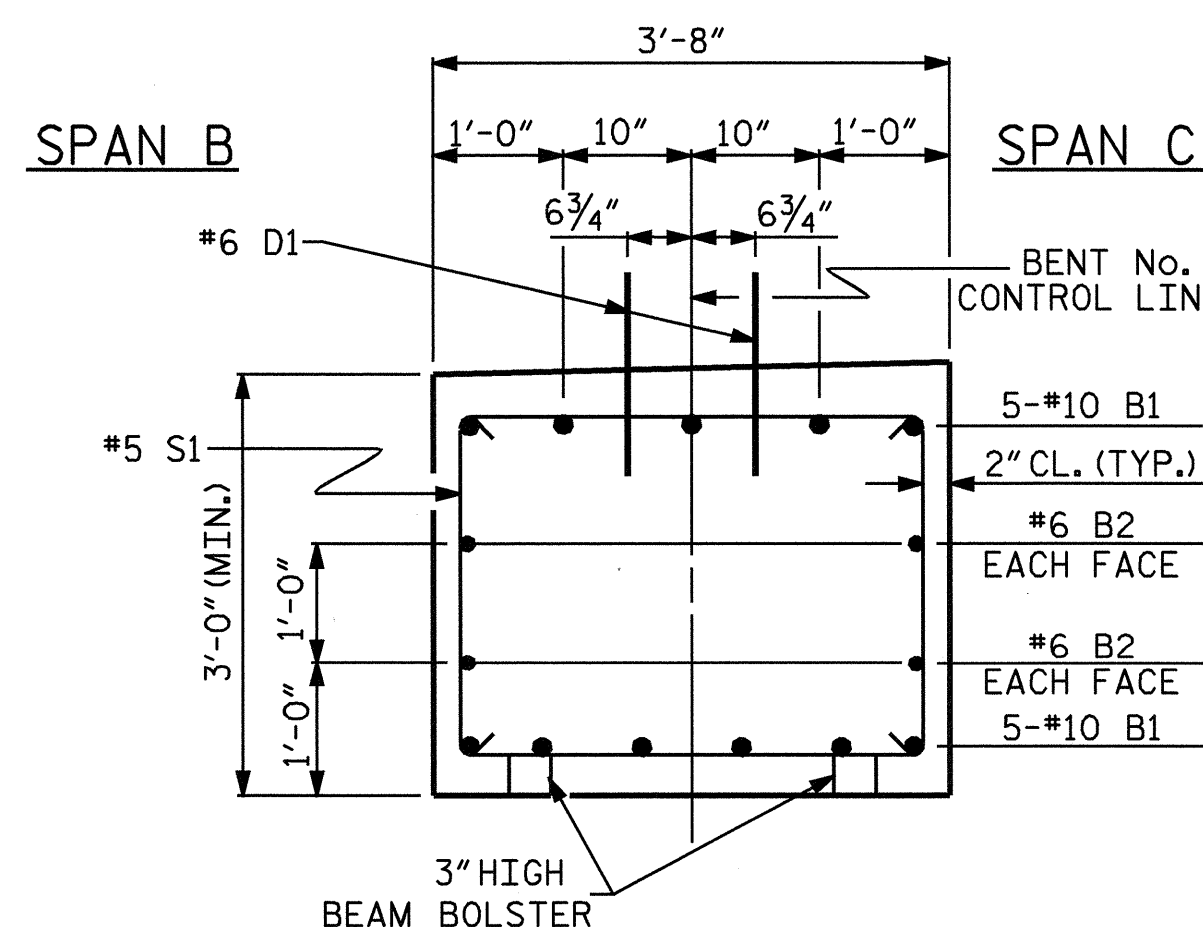
ELEVATION

LATERAL GUIDE DETAIL

(RIGHT LATERAL GUIDE SHOWN, LEFT SIDE SIMILAR)

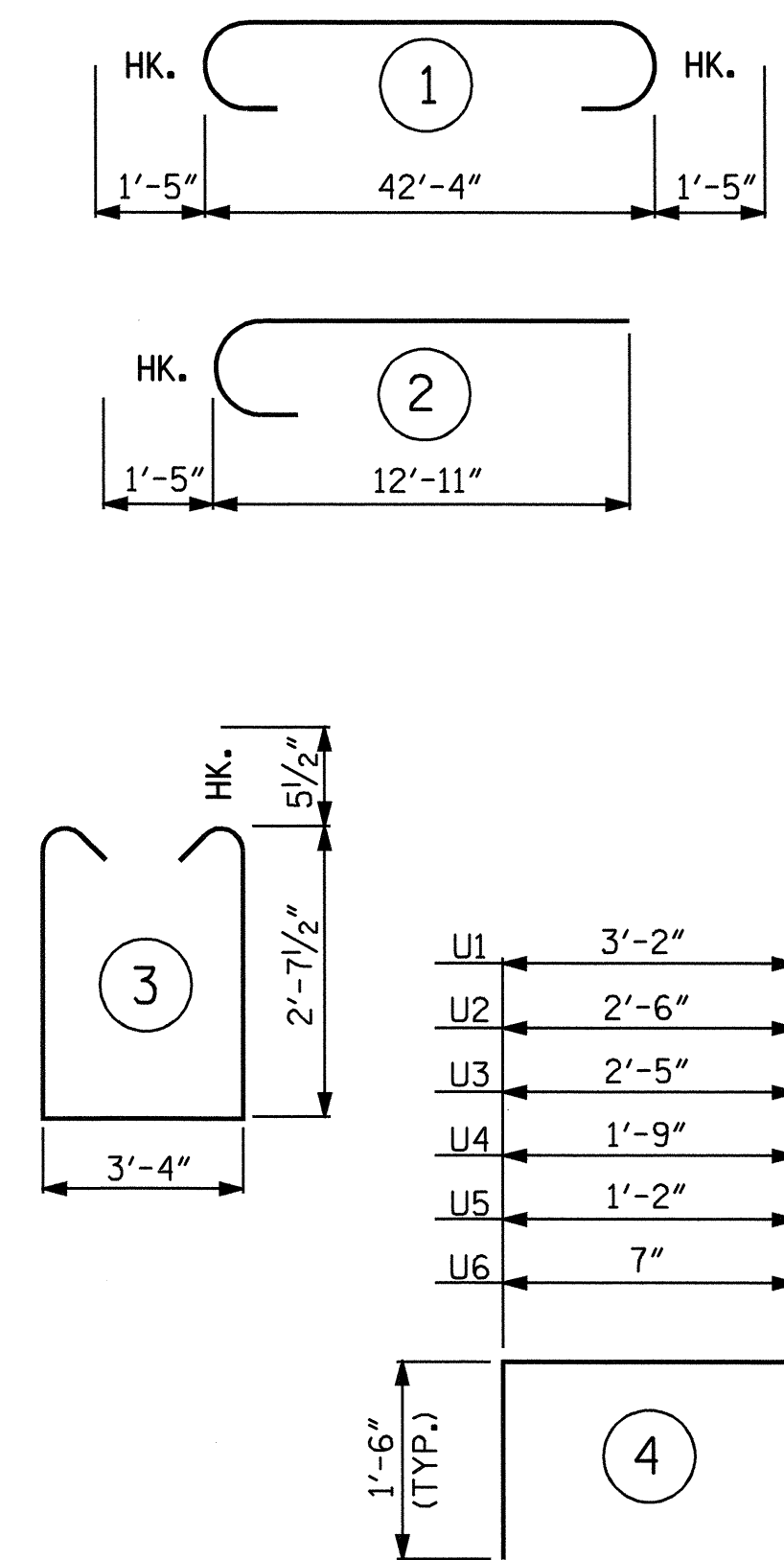


VIEW X-X
(TYP. EA. END)



SECTION A-A

BAR TYPES



BILL OF MATERIAL

BENT No. 2

BAR	NO.	SIZE	TYPE	LENGTH	WEIGHT
B1	10	10	1	45'-2"	1944
B2	4	6	STR	42'-6"	255
B3	2	4	STR	3'-10"	5
B4	2	4	STR	3'-4"	4
D1	44	6	STR	1'-6"	99
S1	38	5	3	9'-6"	377
M1	36	10	STR	35'-10"	5551
U1	6	4	4	6'-2"	25
U2	6	4	4	5'-6"	22
U3	2	4	4	5'-5"	7
U4	2	4	4	4'-9"	6
U5	2	4	4	4'-2"	6
U6	2	4	4	3'-7"	5
V1	36	10	2	14'-4"	2220

REINFORCING STEEL LBS. 10526

SP-1	3	*	5	542'-10"	1699
SP-2	1	*	6	371'-4"	248
SP-3	1	**	6	379'-7"	254
SP-4	1	**	6	387'-10"	259

SPIRAL COLUMN REINFORCING STEEL LBS. 2460

* THE SP-2, SP-3, SP-4 SPIRAL REINFORCING STEEL SHALL BE W20 OR D-20 COLD DRAWN WIRE OR #4 PLAIN OR DEFORMED BAR.
* THE SP-1 SPIRAL REINFORCING STEEL SHALL BE W31 OR D-31 COLD DRAWN WIRE OR #5 PLAIN OR DEFORMED BAR.

CLASS A CONCRETE BREAKDOWN	
POUR #2 (COLUMNS)	8.4 C.Y.
POUR #3 (CAP)	17.7 C.Y.
POUR #4 (LATERAL GUIDES)	0.3 C.Y.
TOTAL	26.4 C.Y.

DRILLED PIERS:	
DRILLED PIER CONCRETE	
POUR #1 (DRILLED PIERS)	29.1 C.Y.
3'-6" Ø DRILLED PIER NOT IN SOIL	16.5 LIN. FT.
3'-6" Ø DRILLED PIER IN SOIL	65.25 LIN. FT.
PERMANENT STEEL CASING FOR 3'-6" Ø DRILLED PIERS	33.5 LIN. FT.
CSL TUBES	357.00 LIN. FT.

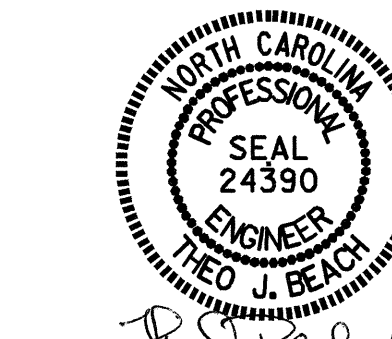
ALL BAR DIMENSIONS ARE OUT TO OUT.

PROJECT NO. B-3899
ROCKINGHAM COUNTY
STATION: 23+91.00 -L-

SHEET 2 OF 2

STATE OF NORTH CAROLINA
DEPARTMENT OF TRANSPORTATION
RALEIGH

SUBSTRUCTURE
BENT No. 2



DRAWN BY: N. PIERCE DATE: 3/05
CHECKED BY: S.B. WILLIAMS DATE: 4/05

REVISIONS				SHEET NO.	
NO.	BY:	DATE:	NO.	BY:	DATE:
1			3		
2			4		

S-17
TOTAL SHEETS 24