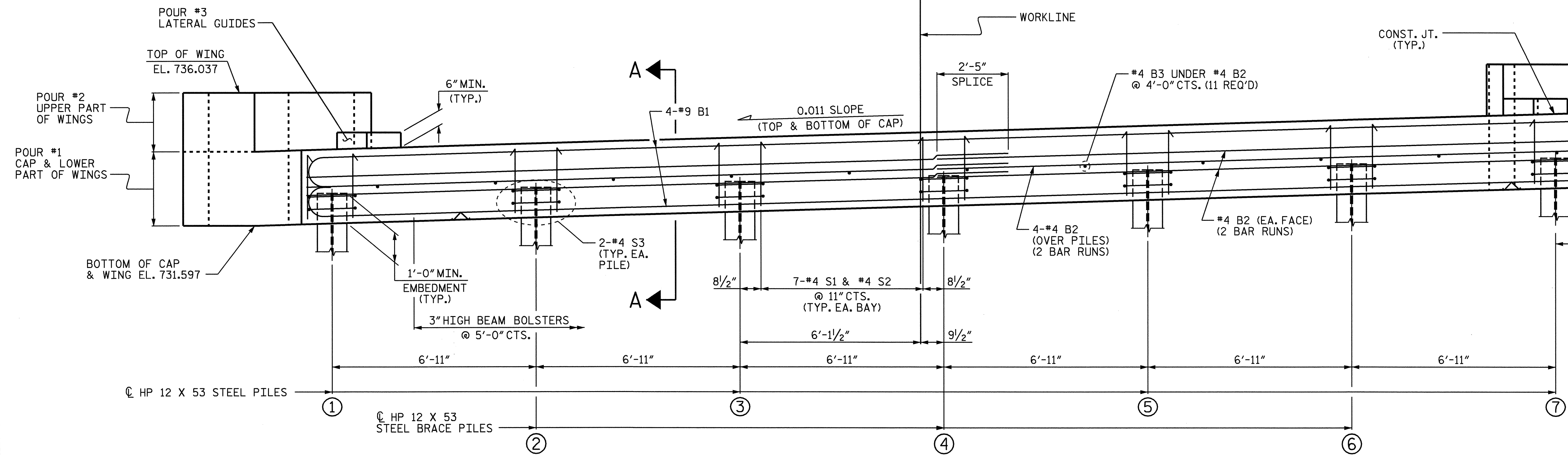


PLAN

TOP OF PILE ELEVATIONS	
①	732.631
②	732.707
③	732.783
④	732.859
⑤	732.935
⑥	733.011
⑦	733.088



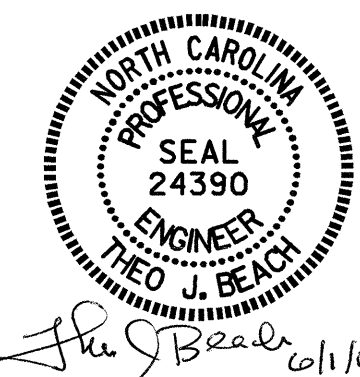
ELEVATION

PROJECT NO. B-3899
ROCKINGHAM COUNTY
 STATION: 23+91.00 -L-
 SHEET 1 OF 3

STATE OF NORTH CAROLINA
 DEPARTMENT OF TRANSPORTATION
 RALEIGH

SUBSTRUCTURE
 END BENT No. 2

REVISIONS						SHEET NO. S-18
NO.	BY:	DATE:	NO.	BY:	DATE:	
1			3			TOTAL SHEETS 24
2			4			



DRAWN BY: P.C. BREWER DATE: 6/9/04
 CHECKED BY: S.B. WILLIAMS DATE: 6/29/04