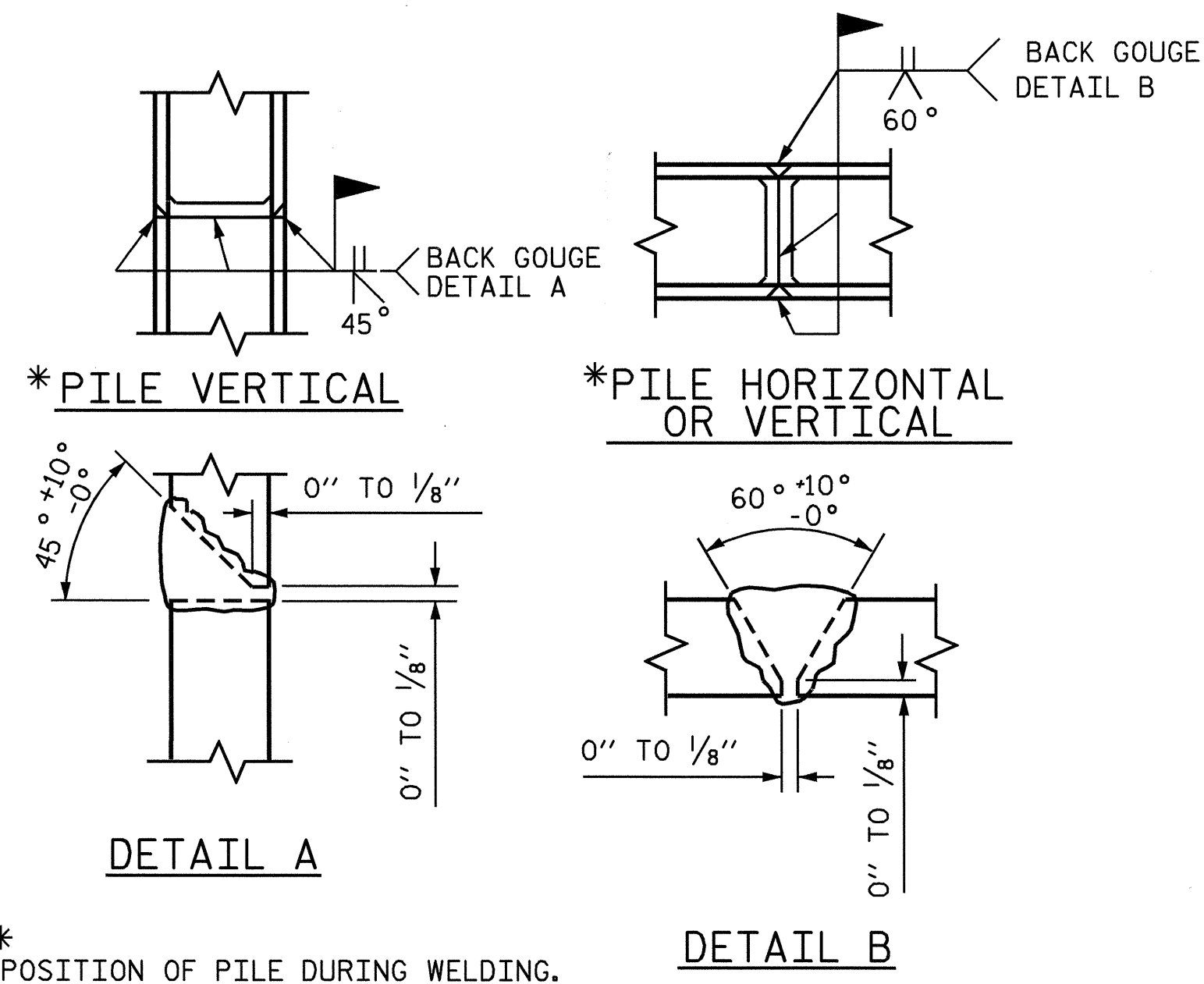


BAGGED STONE AND PIPE SHALL BE PLACED IMMEDIATELY AFTER COMPLETION OF END BENT EXCAVATION. PIPE MAY BE EITHER CONCRETE, CORRUGATED STEEL, CORRUGATED ALUMINUM ALLOY, OR CORRUGATED PLASTIC. PERFORATED PIPE WILL NOT BE ALLOWED.

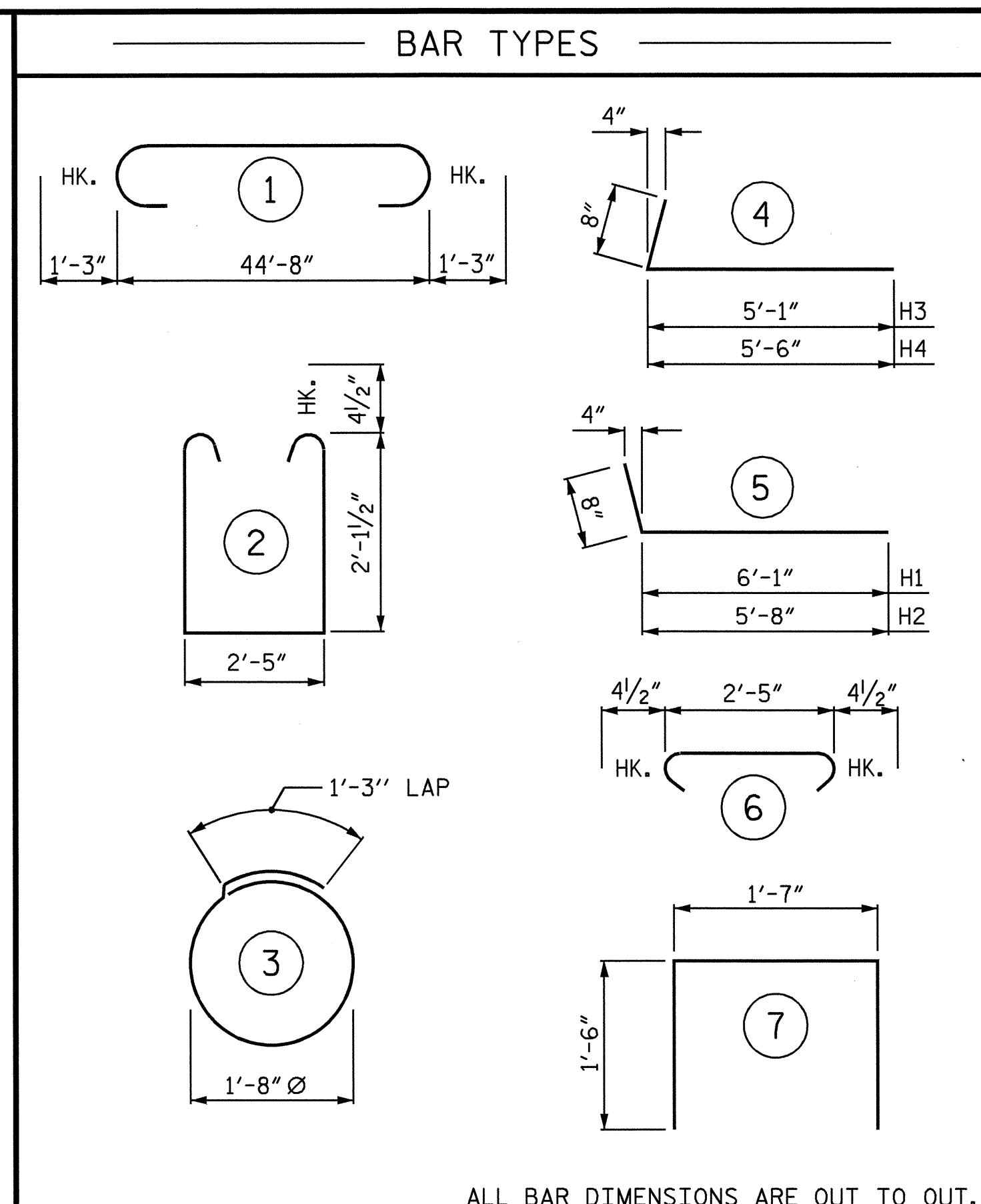
BAGGED STONE SHALL REMAIN IN PLACE UNTIL THE ENGINEER DIRECTS THAT IT BE REMOVED. THE CONTRACTOR SHALL REMOVE AND DISPOSE OF SILT ACCUMULATIONS AT BAGGED STONE WHEN SO DIRECTED BY THE ENGINEER. BAGS SHALL BE REMOVED AND REPLACED WHENEVER THE ENGINEER DETERMINES THAT THEY HAVE DETERIORATED AND LOST THEIR EFFECTIVENESS.

NO SEPARATE PAYMENT WILL BE MADE FOR THIS WORK AND THE ENTIRE COST OF THIS WORK SHALL BE INCLUDED IN THE UNIT CONTRACT PRICE BID FOR THE SEVERAL PAY ITEMS.

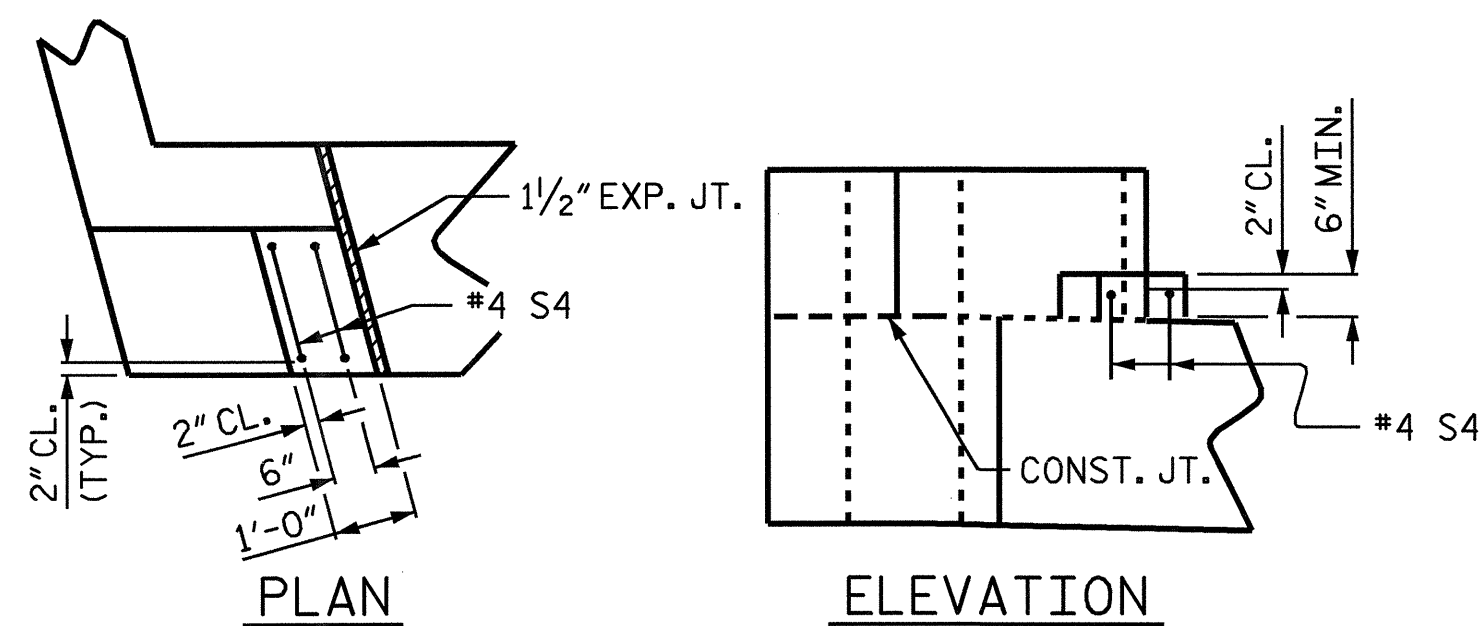
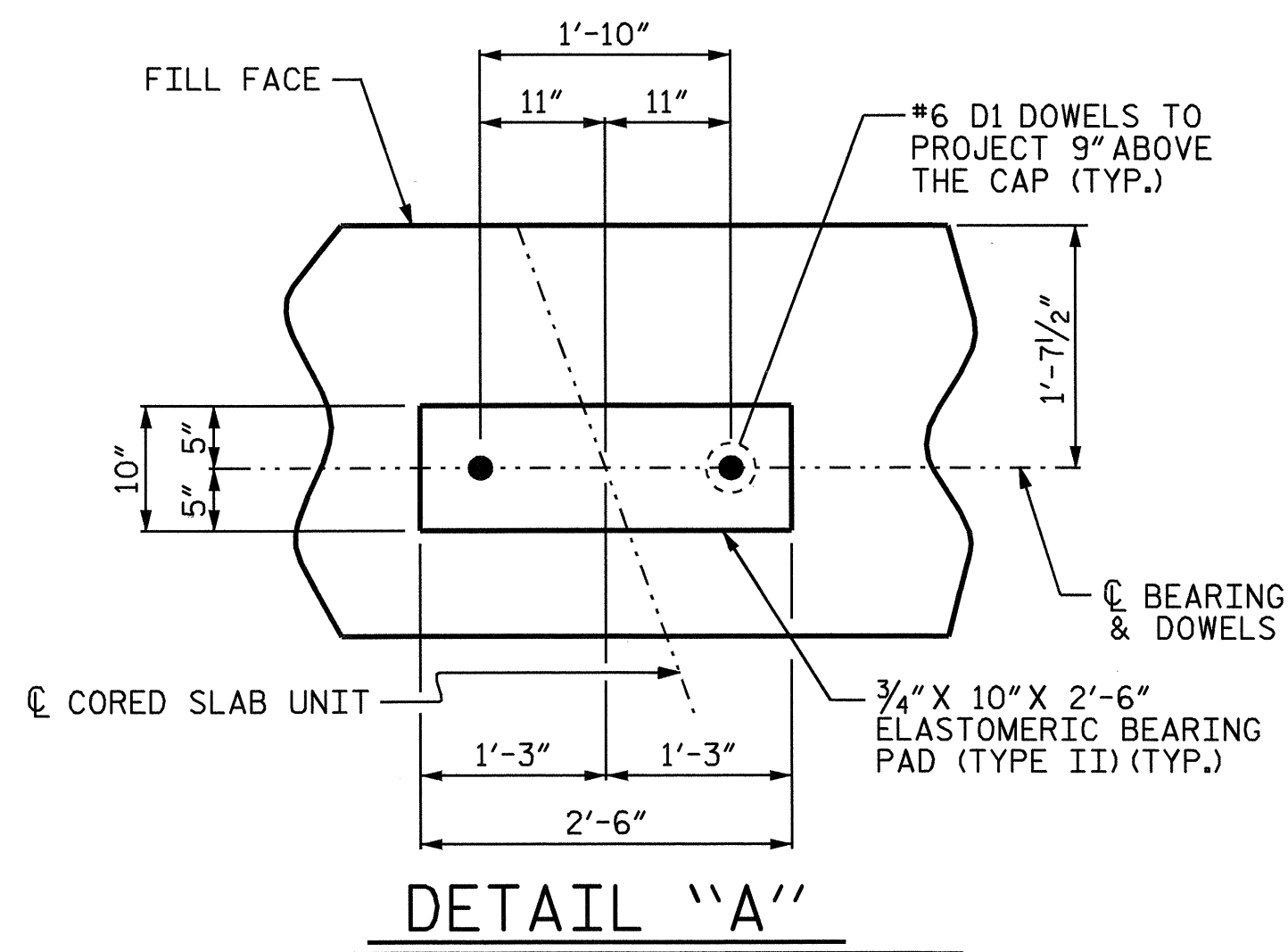
TEMPORARY DRAINAGE AT END BENT No. 2



PILE SPLICE DETAILS

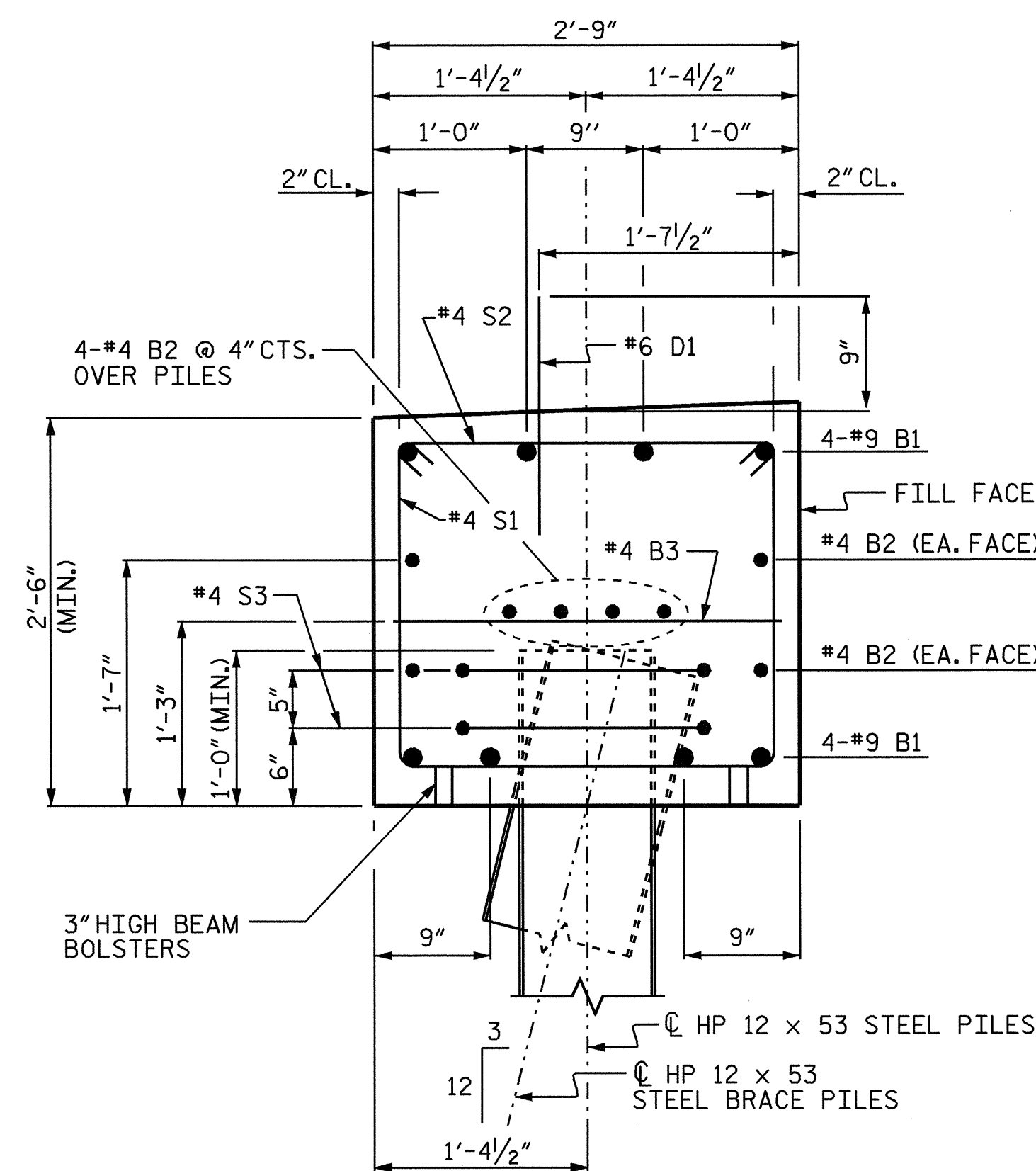


BILL OF MATERIAL					
END BENT No. 2					
BAR	No.	SIZE	TYPE	LENGTH	WEIGHT
B1	8	9	1	47'-2"	1283
B2	16	4	STR	23'-8"	253
B3	11	4	STR	2'-5"	18
D1	22	6	STR	1'-6"	50
H1	6	4	5	6'-9"	27
H2	6	4	5	6'-4"	25
H3	6	4	4	5'-9"	23
H4	6	4	4	6'-2"	25
K1	12	4	STR	2'-11"	23
S1	44	4	2	7'-5"	218
S2	44	4	6	3'-2"	93
S3	14	4	3	6'-6"	61
S4	4	4	7	4'-7"	12
V1	21	4	STR	4'-0"	56
V2	20	4	STR	3'-11"	52
REINFORCING STEEL					2,219 LBS.
CLASS A CONCRETE BREAKDOWN					
POUR #1	CAP & BOTTOM OF WINGS			12.4 C.Y.	
POUR #2	TOP OF WINGS			1.1 C.Y.	
POUR #3	LATERAL GUIDES			0.1 C.Y.	
TOTAL CLASS A CONCRETE				13.6 C.Y.	
HP 12 x 53 STEEL PILES					
No. = 7 LIN. FT. = 210.0					



LATERAL GUIDE DETAIL

(LEFT LATERAL GUIDE SHOWN, RIGHT LATERAL GUIDE SIMILAR)



SECTION A-A

NOTES:

- STIRRUPS IN CAP MAY BE SHIFTED AS NECESSARY TO CLEAR DOWELS.
- THE LATERAL GUIDE AT EACH END OF THE CAP IS NOT TO BE POURED UNTIL AFTER CORED SLAB UNITS ARE IN PLACE.
- THE CONTRACTOR SHALL PROVIDE FOR INSTALLATION OF THE 4" DIAMETER PIPE DRAIN THROUGH THE WING WALL AS REQUIRED FOR REINFORCED BRIDGE APPROACH FILLS. SEE ROADWAY PLANS. REINFORCING STEEL IN THE WING WALL MAY BE SHIFTED AS NECESSARY TO CLEAR THE DRAIN PIPE.

PROJECT NO. B-3899
ROCKINGHAM COUNTY
 STATION: 23+91.00 -L-

SHEET 3 OF 3

STATE OF NORTH CAROLINA
 DEPARTMENT OF TRANSPORTATION
 RALEIGH

SUBSTRUCTURE
 END BENT No. 2

REVISIONS					
NO.	BY:	DATE:	NO.	BY:	DATE:
1			3		
2			4		

SHEET NO. S-20
 TOTAL SHEETS 24

