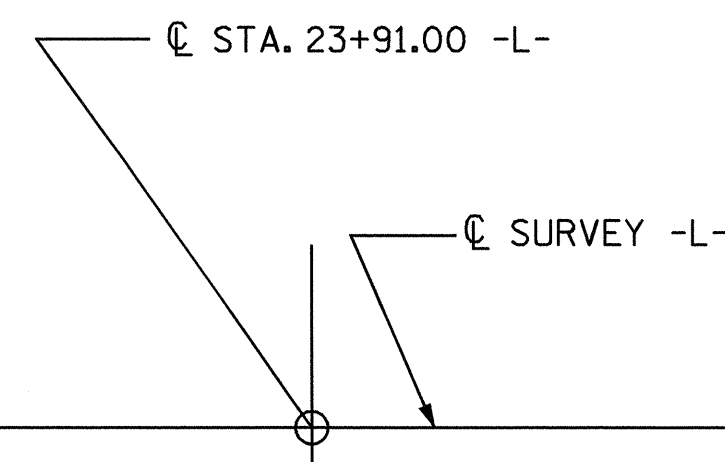
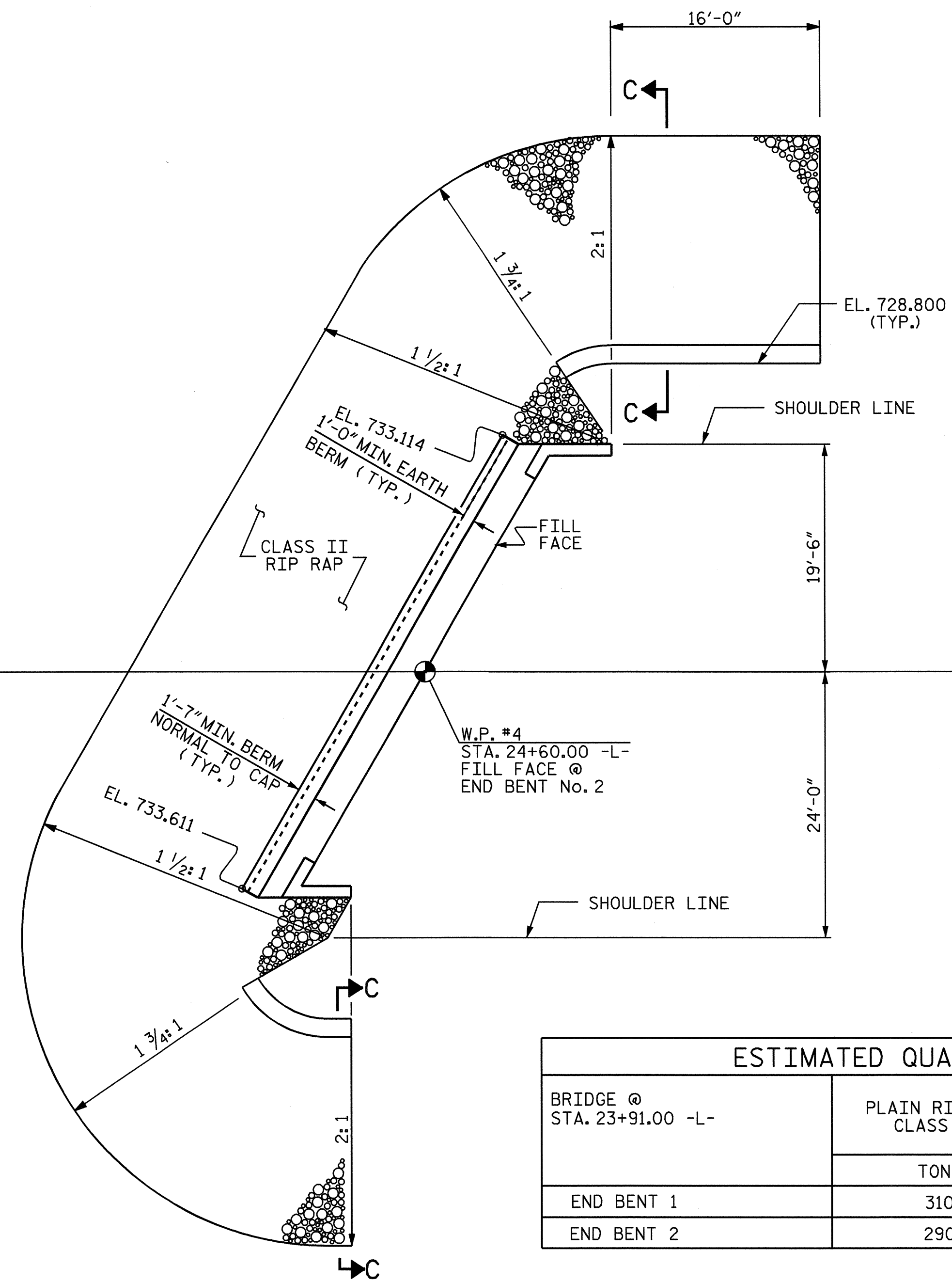


END BENT No. 1

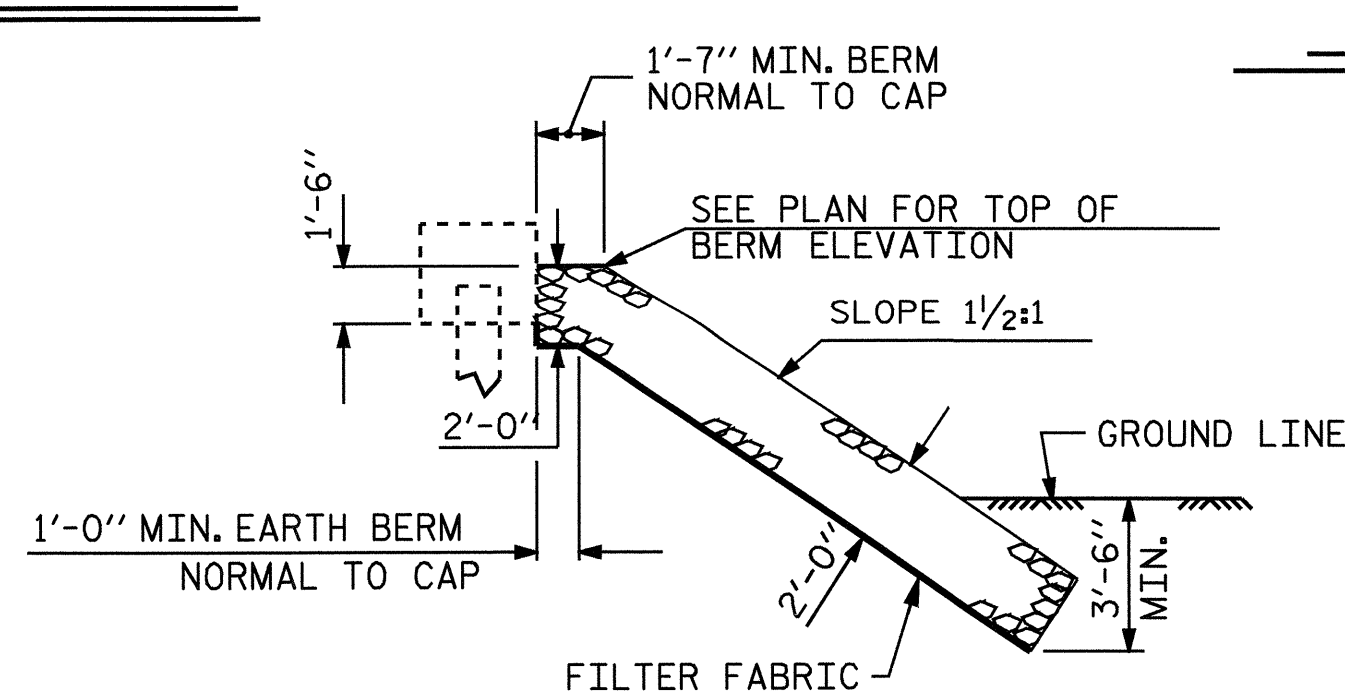


PLAN OF RIP RAP

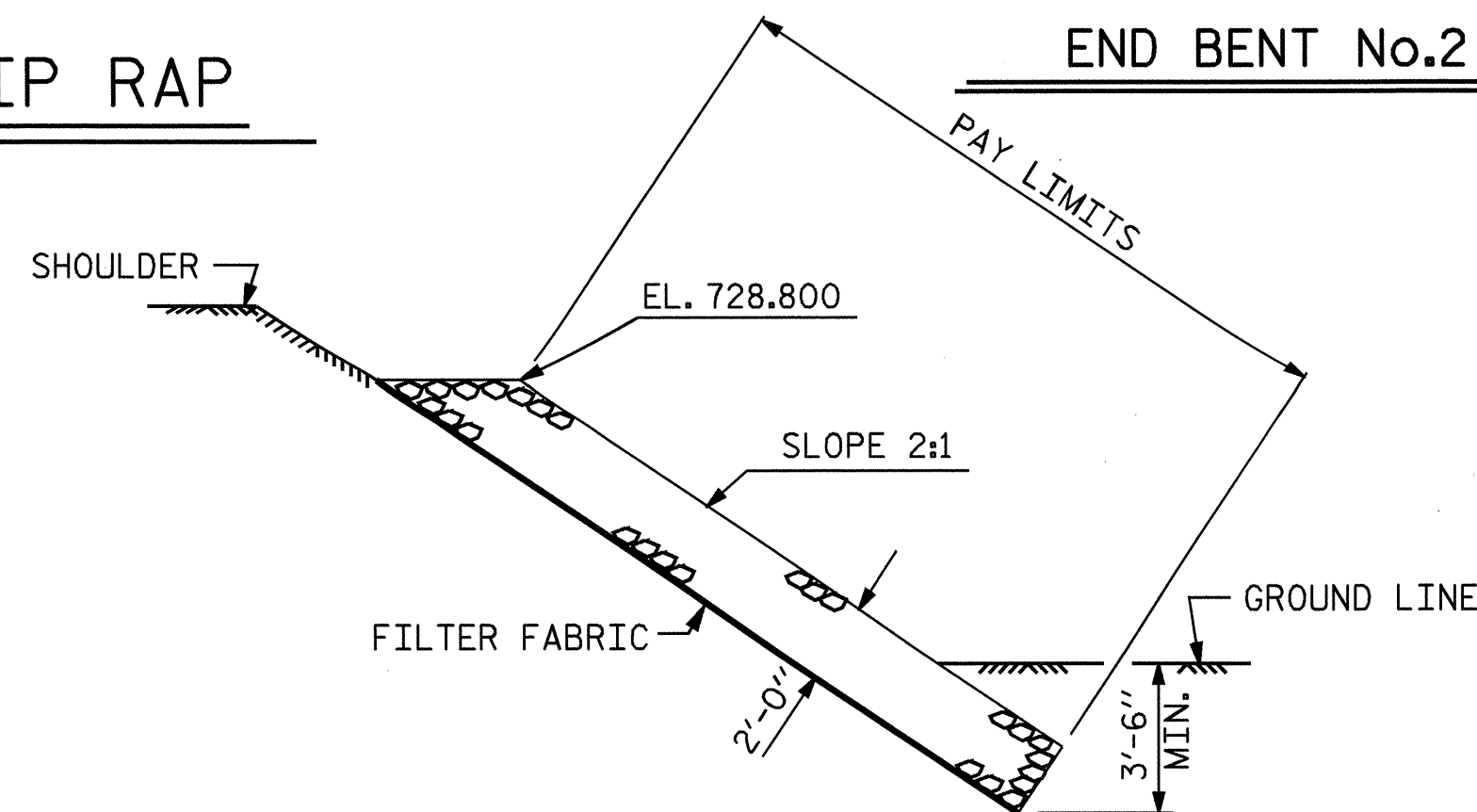


END BENT No. 2

ESTIMATED QUANTITIES		
BRIDGE @ STA. 23+91.00 -L-	PLAIN RIP RAP CLASS II	FILTER FABRIC FOR DRAINAGE
	TONS	SQUARE YARDS
END BENT 1	310	345
END BENT 2	290	322



SECTION C-C
BERM RIP RAPPED

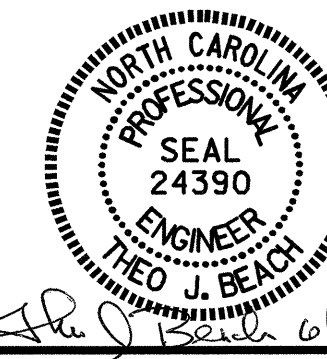


SECTION C-C

PROJECT NO. B-3899
ROCKINGHAM COUNTY
 STATION: 23+91.00 -L-

STATE OF NORTH CAROLINA
 DEPARTMENT OF TRANSPORTATION
 RALEIGH

STANDARD
 RIP RAP DETAILS



DRAWN BY : R. G. EMERSON DATE : 06/04
 CHECKED BY : TNC DATE : 08/04

31-MAY-2005 12:29
 R:\STRUCT\243899\emerson\B-3899\2.DGN
 NPIERCE

REVISIONS						SHEET NO. S-21
NO.	BY:	DATE:	NO.	BY:	DATE:	
1			3			TOTAL SHEETS 24
2			4			