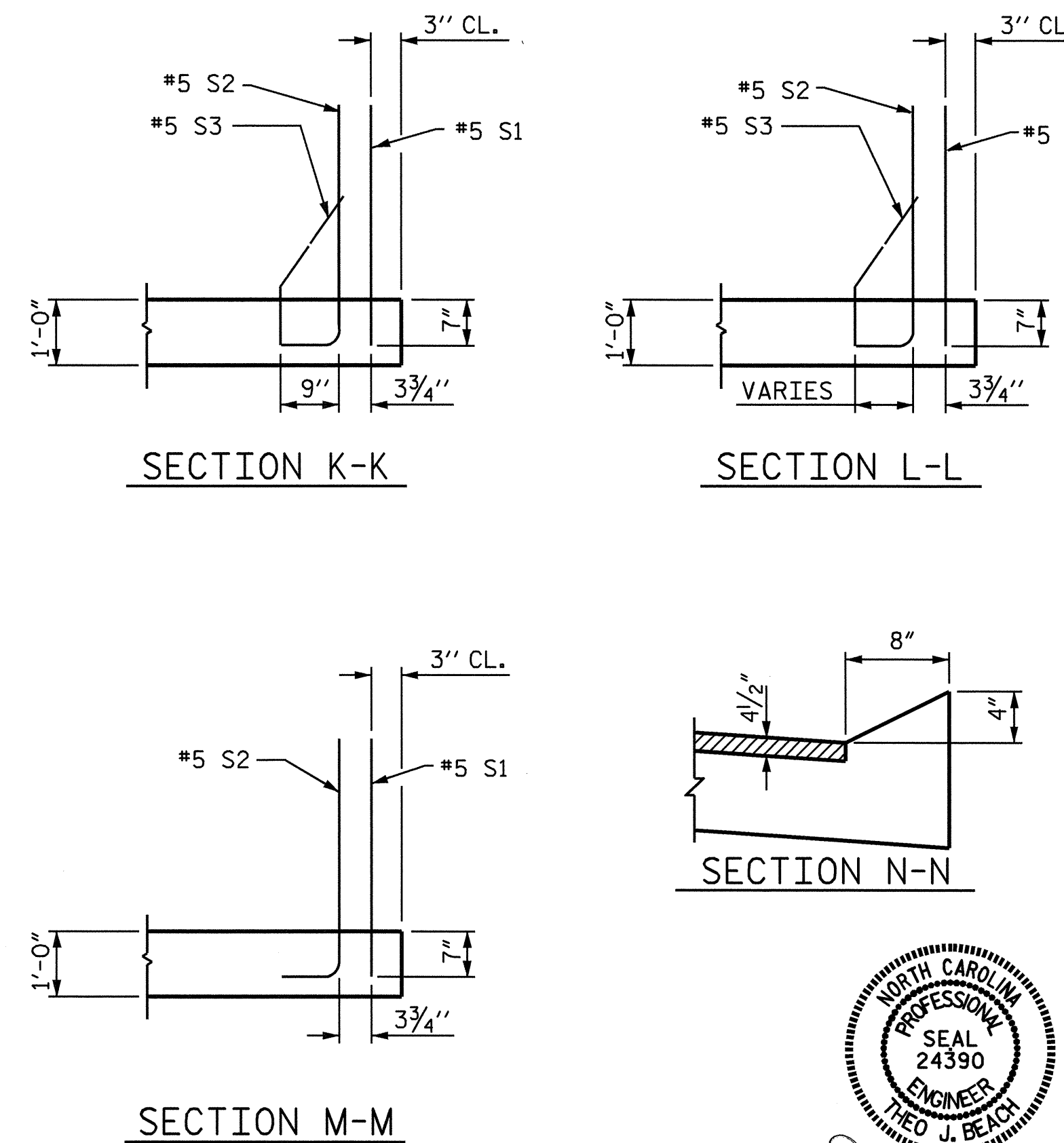
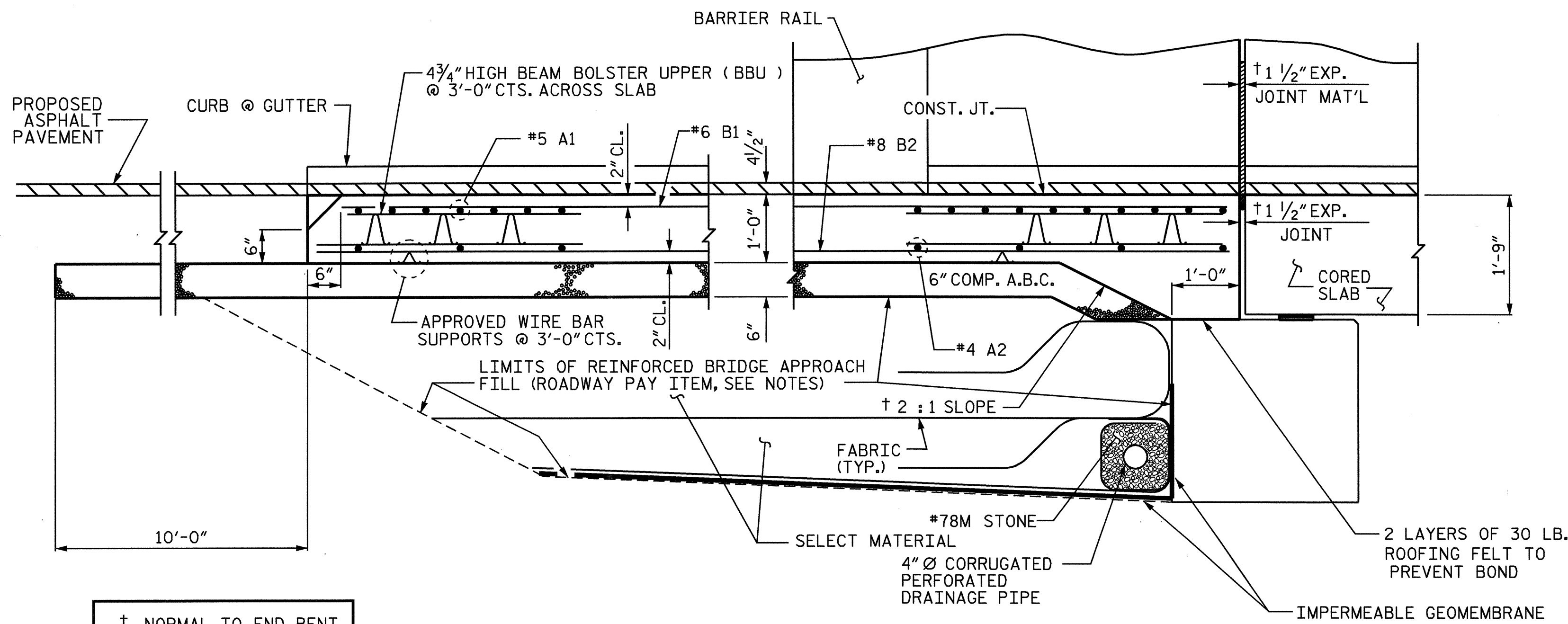
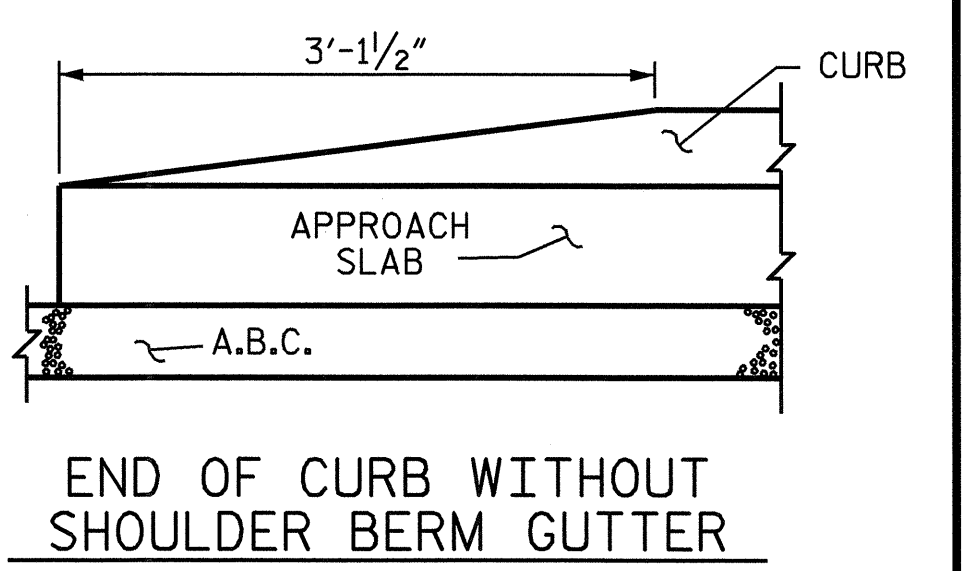
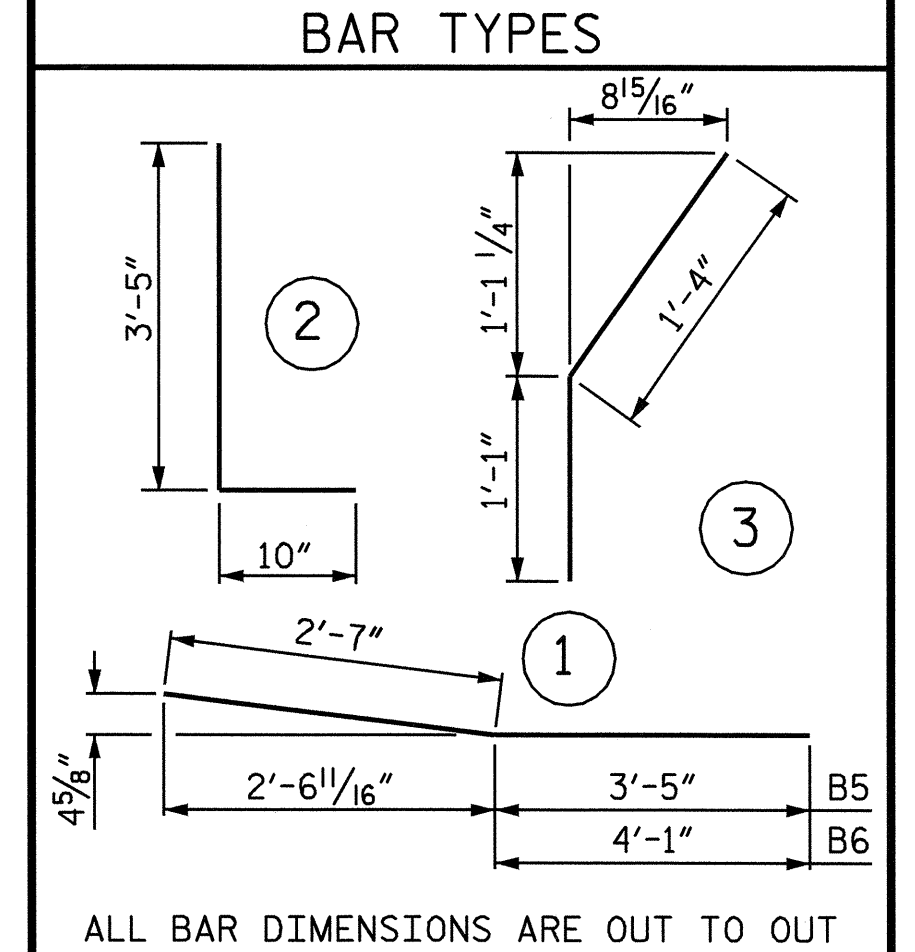


PLAN OF APPROACH SLABS



BILL OF MATERIAL
FOR ONE APPROACH SLAB (2 REQ'D)

| BAR NO. | NO. | SIZE | TYPE | LENGTH | WEIGHT |
|---------------------------------|-----|------|------|--------|------------|
| *A1 | 49 | #5 | STR | 37'-4" | 1908 |
| A2 | 98 | #4 | STR | 19'-9" | 1293 |
| *B1 | 65 | #6 | STR | 24'-0" | 2343 |
| B2 | 65 | #8 | STR | 24'-7" | 4266 |
| *B3 | 7 | #5 | STR | 11'-9" | 86 |
| *B4 | 7 | #5 | STR | 11'-3" | 82 |
| *B5 | 1 | #5 | 1 | 6'-0" | 6 |
| *B6 | 1 | #5 | 1 | 6'-8" | 7 |
| *S1 | 48 | #5 | STR | 3'-5" | 171 |
| *S2 | 48 | #5 | 2 | 4'-3" | 213 |
| *S3 | 20 | #5 | 3 | 2'-5" | 50 |
| REINFORCING STEEL | | | | | 5,559 LBS. |
| *EPOXY COATED REINFORCING STEEL | | | | | 4,866 LBS. |
| CLASS AA CONCRETE BREAKDOWN | | | | | |
| POUR 1 SLAB & CURB | | | | | 32.7 C.Y. |
| POUR 2 RAIL | | | | | 2.5 C.Y. |
| CLASS AA CONCRETE | | | | | 35.2 C.Y. |

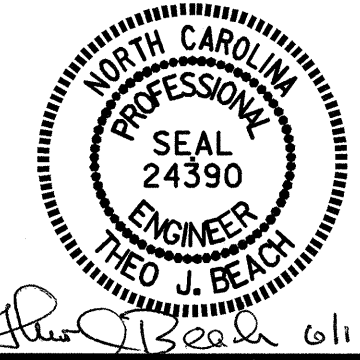


PROJECT NO. B-3899
ROCKINGHAM COUNTY
 STATION: 23+91.00 -L-

SHEET 1 OF 3

STATE OF NORTH CAROLINA
 DEPARTMENT OF TRANSPORTATION
 RALEIGH
 STANDARD
 BRIDGE APPROACH SLAB
 FOR PRESTRESSED CONCRETE
 CORED SLAB WITH
 BARRIER RAIL

ASSEMBLED BY : T. N. CARROLL DATE : 8/5/04
 CHECKED BY : R. G. EMERSON DATE : 8/10/04
 DRAWN BY : LES 8/01 REV. 10/17/00 RWW/LES
 CHECKED BY : RDR 8/01 REV. 7/10/01 LES/RDR
 REV. 5/17/03R RWW/JTE



| REVISIONS | | | | SHEET NO. | |
|-----------|-----|-------|-----|-----------|-------|
| NO. | BY: | DATE: | NO. | BY: | DATE: |
| 1 | | | 3 | | |
| 2 | | | 4 | | |

TOTAL SHEETS: 24