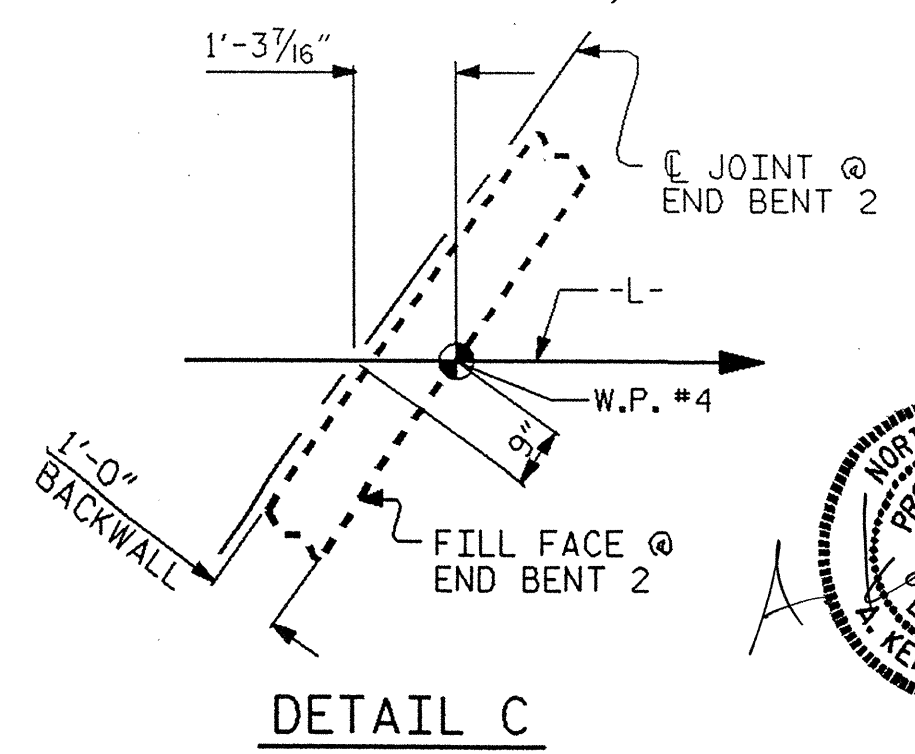


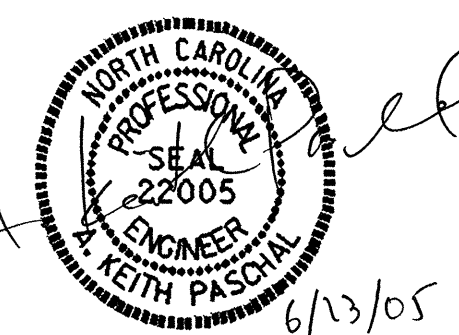
PLAN OF SPAN C

NOTES:
 FOR SECTION A-A & B-B, SEE "TYPICAL SECTION" SHEETS.
 ▲ FOR REINFORCING STEEL IN SLAB & BARRIER RAIL, SEE "CONCRETE BARRIER RAIL" SHEETS.
 FOR LOCATION OF INTERMEDIATE DIAPHRAGMS, SEE "FRAMING PLAN" SHEETS.



PROJECT NO. B-3681
 NASH/EDGEcombe COUNTY
 STATION: 18+89.64 -L-
 SHEET 3 OF 3

STATE OF NORTH CAROLINA DEPARTMENT OF TRANSPORTATION RALEIGH						SHEET NO. S-7
SUPERSTRUCTURE PLAN OF SPAN C						
REVISIONS						TOTAL SHEETS 36
NO.	BY:	DATE:	NO.	BY:	DATE:	
1			3			
2			4			



DRAWN BY: A.M.KEETER DATE: 10/25/04
 CHECKED BY: K.M.McCAULEY DATE: 3/4/05