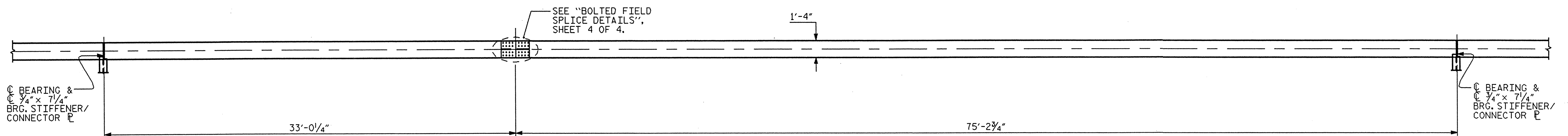


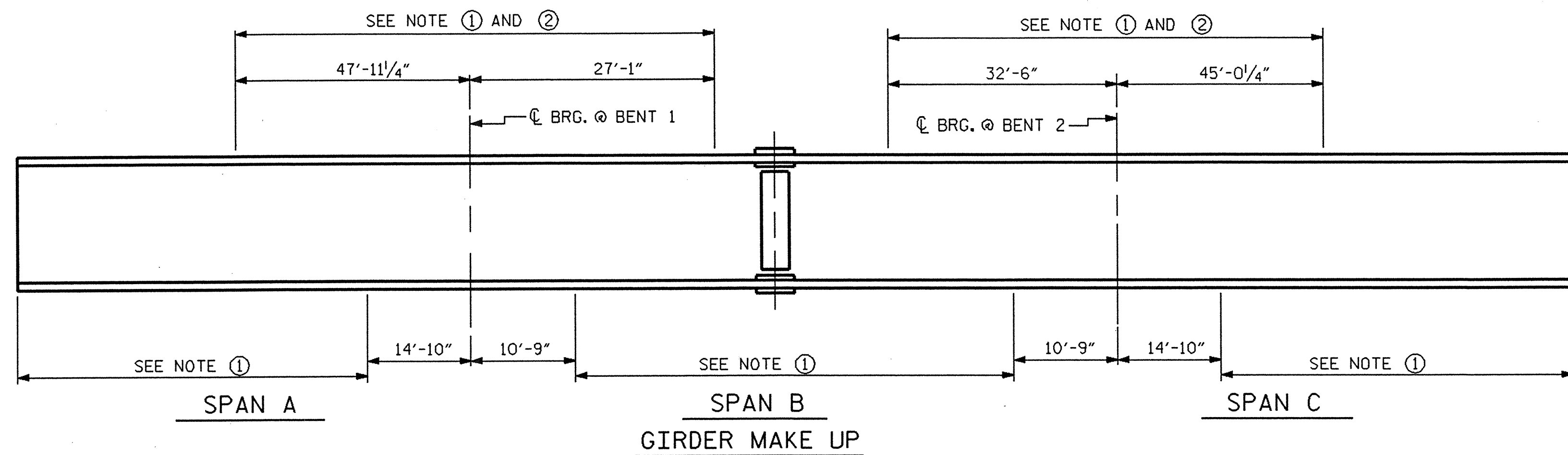
PLATE GIRDER ELEVATION - SPAN B

(TYP. GIRDERS 1 THRU 6) 270 SHEAR STUDS REQUIRED PER GIRDER.
SEE "BOLTED FIELD SPLICE" DETAILS FOR ADDITIONAL STUDS



BOTTOM FLANGE DETAIL - SPAN B

(TYP. GIRDER 1 THRU 6)



CHARPY V-NOTCH TESTS FOR CONTINUOUS PLATE GIRDERS

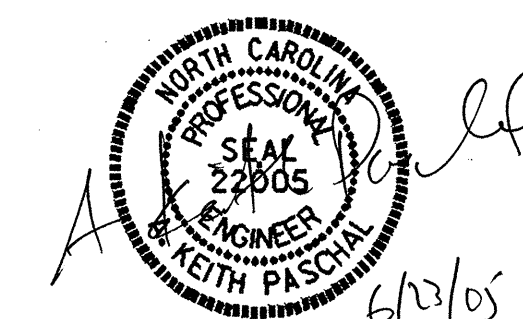
NOTE ① : CHARPY V-NOTCH TESTS ARE REQUIRED FOR ALL TOP OR BOTTOM FLANGE PLATES WHICH FALL WITHIN THESE LIMITS, ALL WEB PLATES, AND SPLICE PLATES. IF A PERMITTED SHOP FLANGE SPLICE IS NOT USED, CHARPY V-NOTCH TESTS WILL BE REQUIRED FOR THE ENTIRE FLANGE PLATE. FOR CHARPY V-NOTCH TESTS, SEE ARTICLE 1072-9 OF THE STANDARD SPECIFICATIONS.

NOTE ② : NO WELDING OF FORMS OR FALSEWORK TO THE TOP FLANGE WILL BE PERMITTED IN THIS REGION.

PROJECT NO. B-3861
NASH/EDGEcombe COUNTY
 STATION: 18+89.64 -L-

SHEET 2 OF 4

STATE OF NORTH CAROLINA DEPARTMENT OF TRANSPORTATION RALEIGH					
SUPERSTRUCTURE					
STRUCTURAL STEEL DETAILS					
REVISIONS					
NO.	BY:	DATE:	NO.	BY:	DATE:
1			3		
2			4		
SHEET NO.					S-12
TOTAL SHEETS					36



DRAWN BY: A.M. KEETER DATE: 11/30/04
 CHECKED BY: K.M. MCGAULEY DATE: 3/8/05