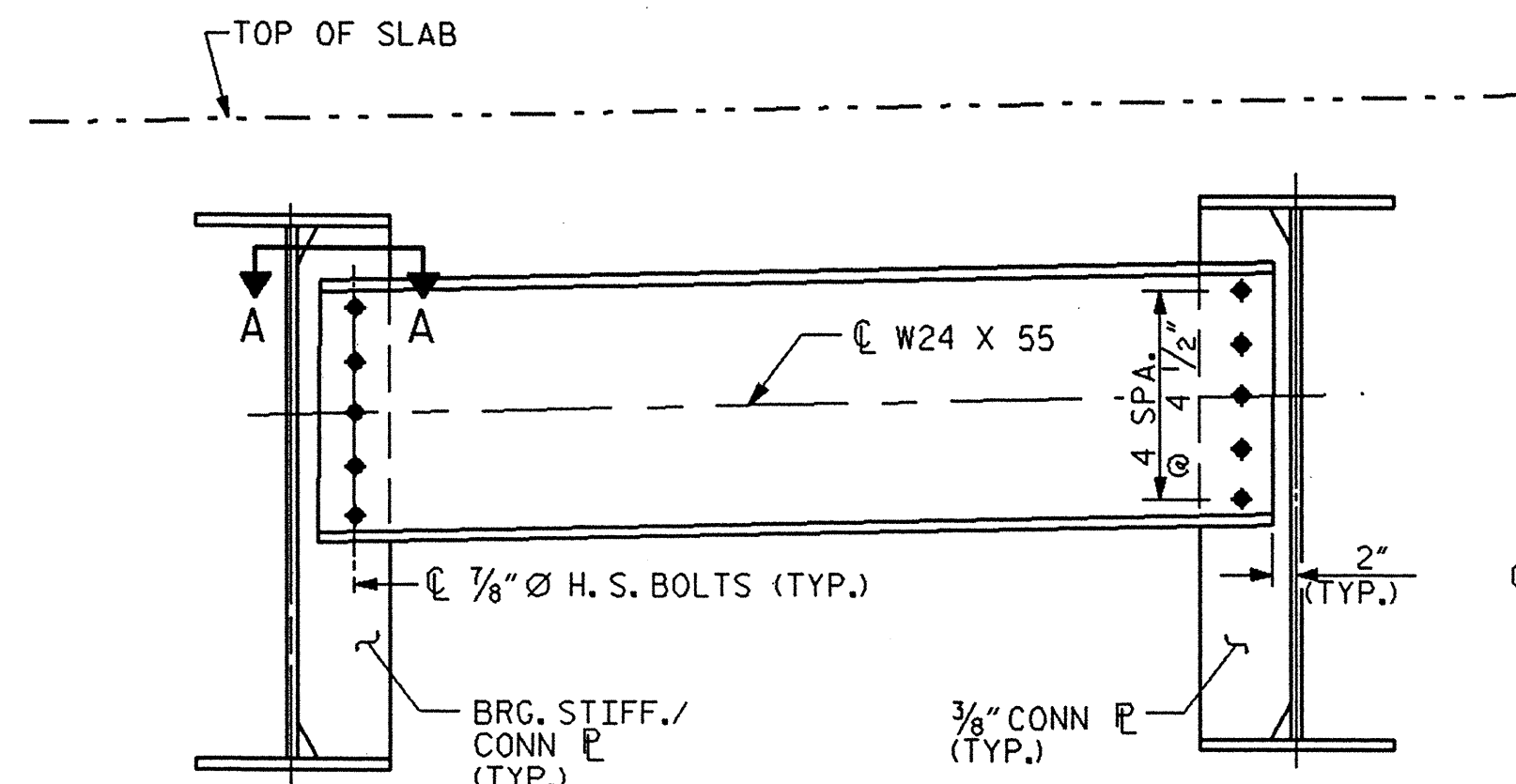
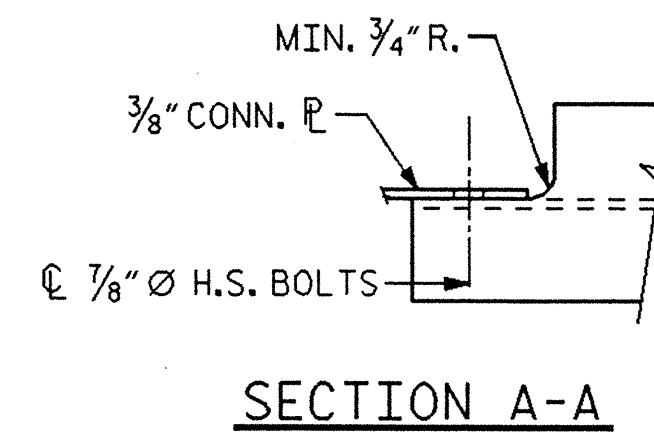


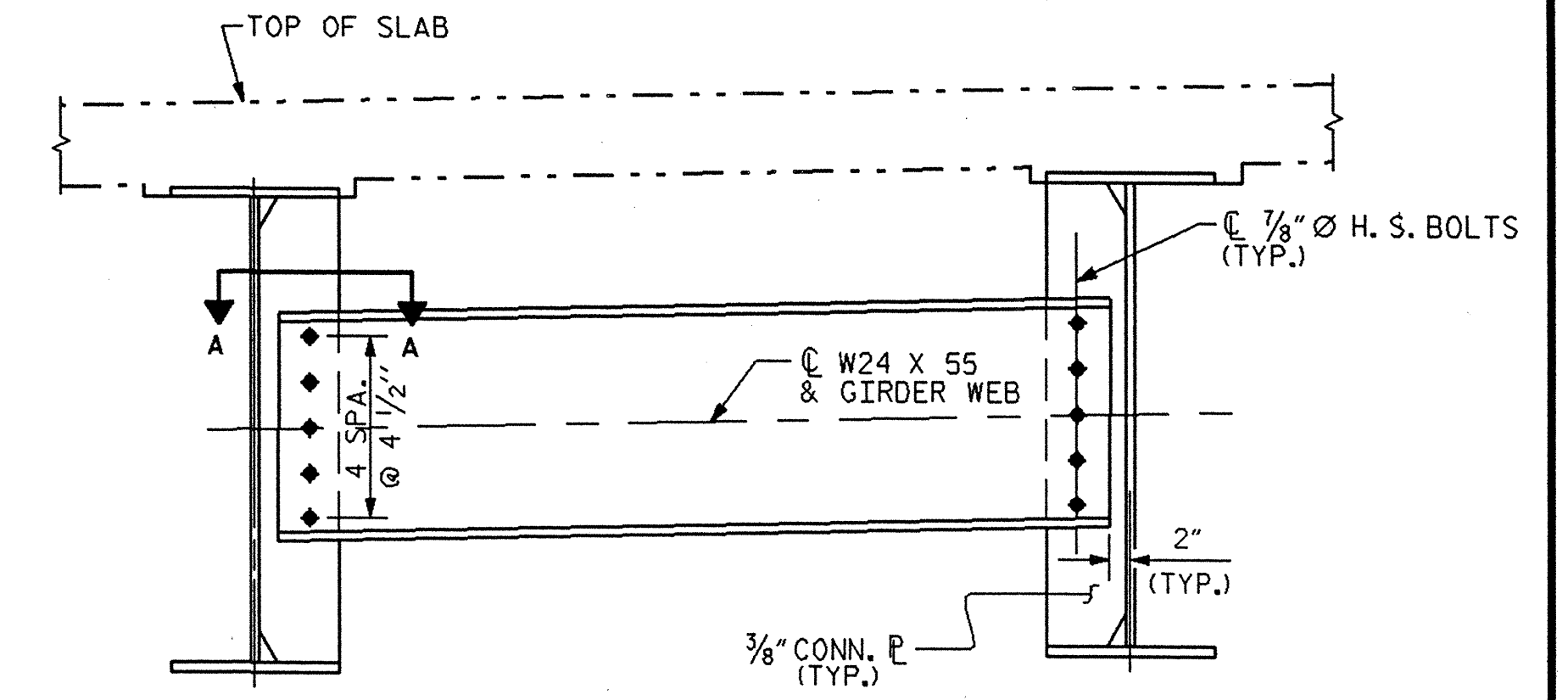
TYPICAL END BENT DIAPHRAGM (D1)



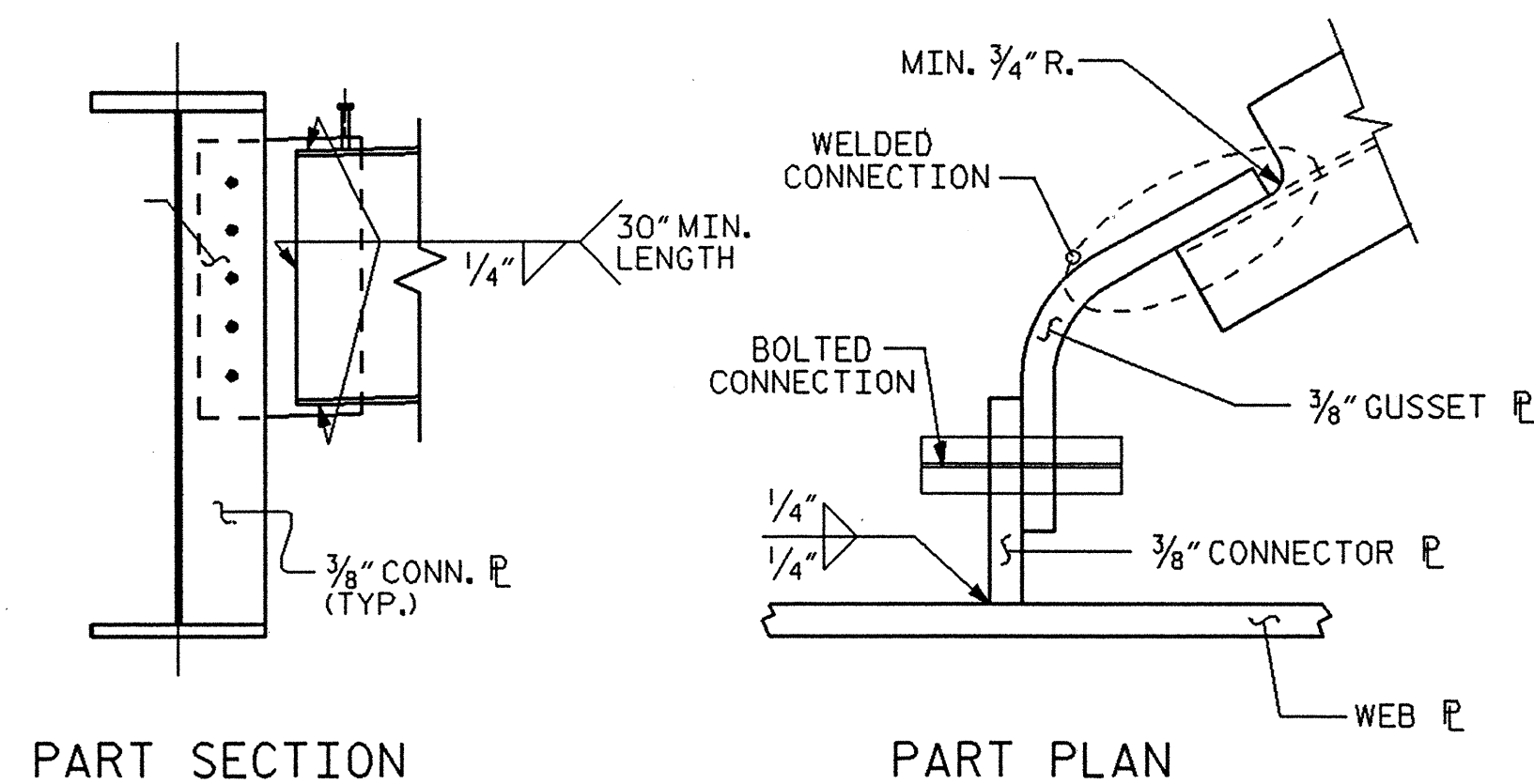
TYPICAL BENT DIAPHRAGM (D2)



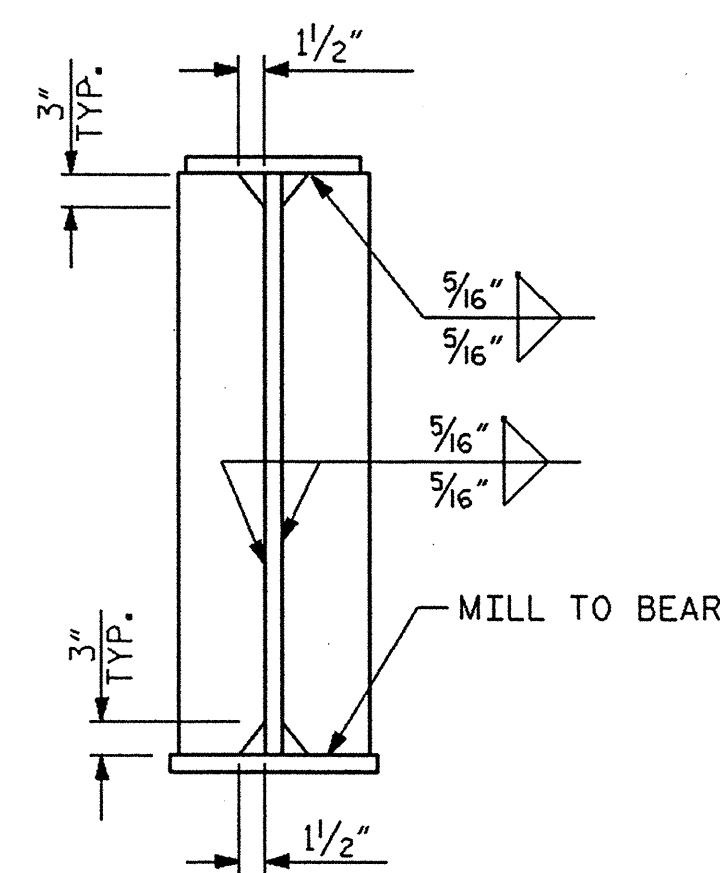
SECTION A-A



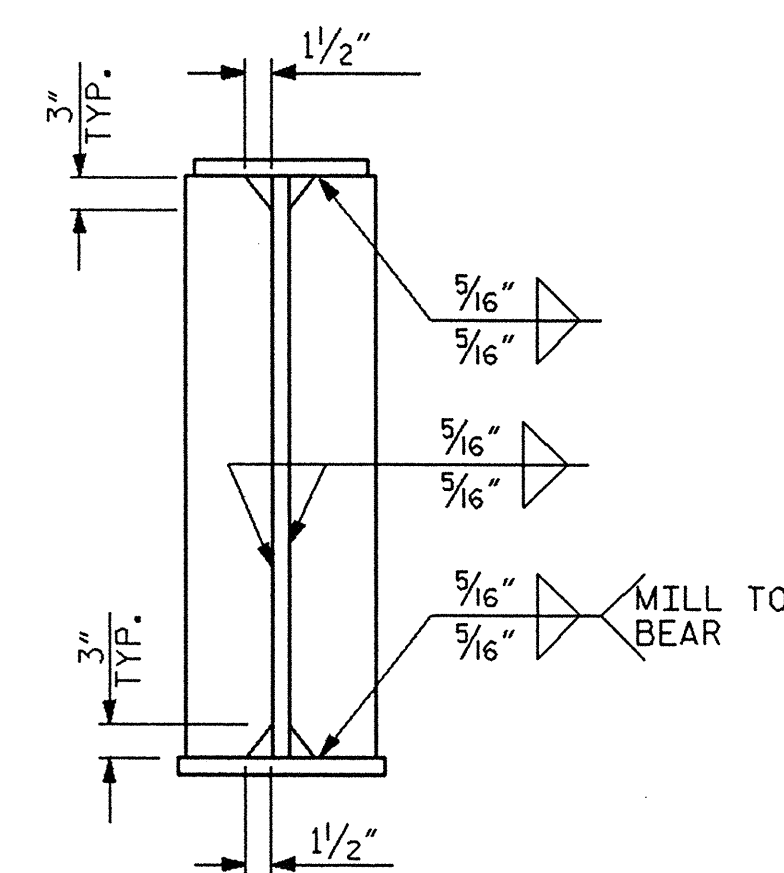
TYPICAL INTERMEDIATE DIAPHRAGM (D3)



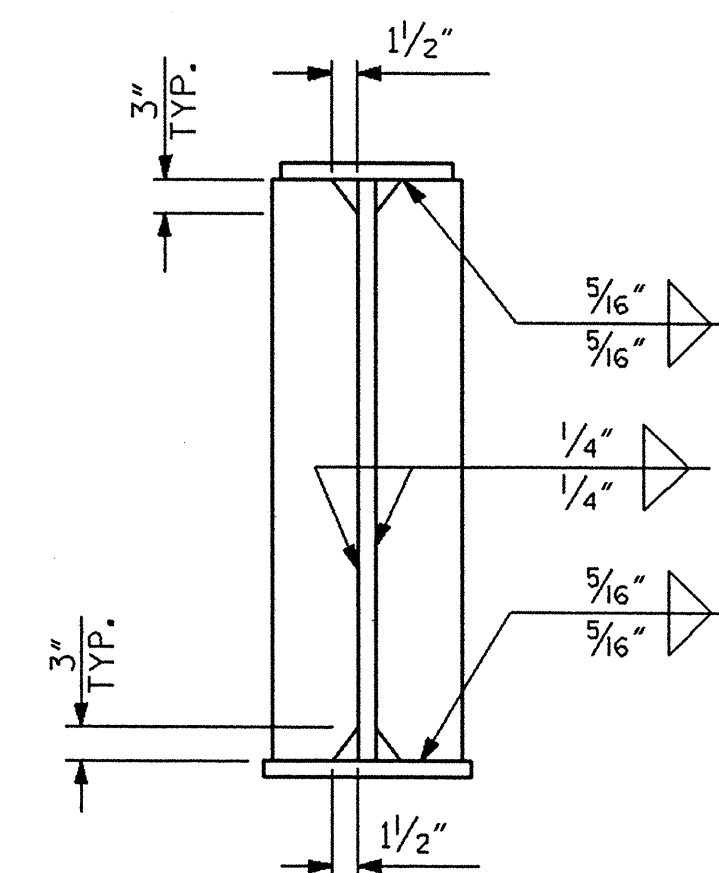
CONNECTOR PLATE WELD DETAIL



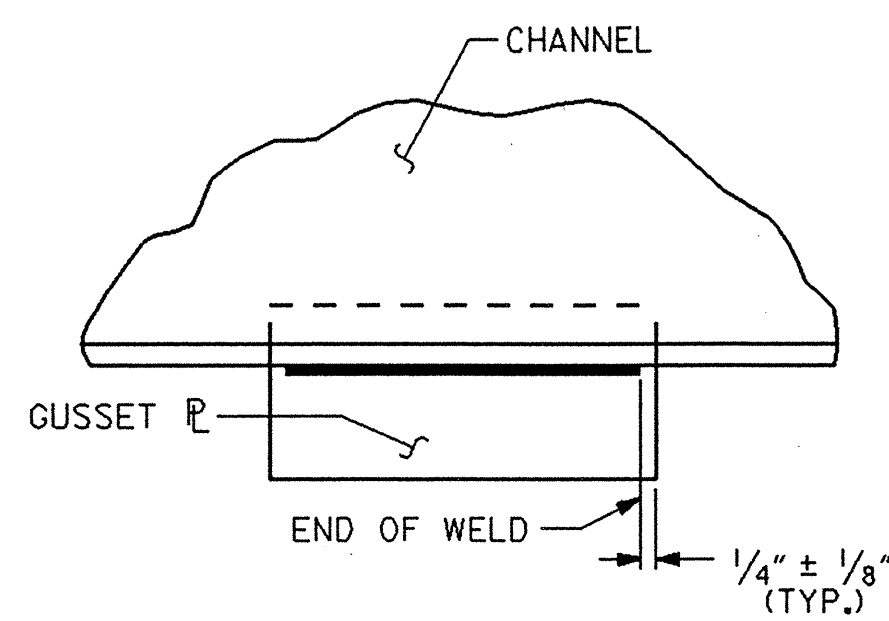
BEARING STIFFENER @ END BENTS



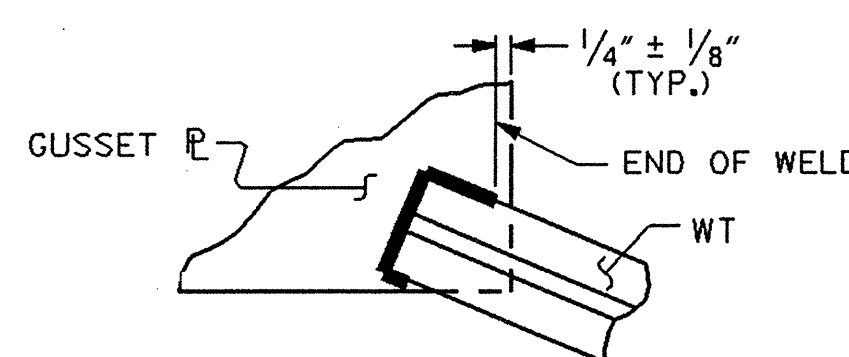
BEARING STIFFENER/CONNECTOR @ BENTS



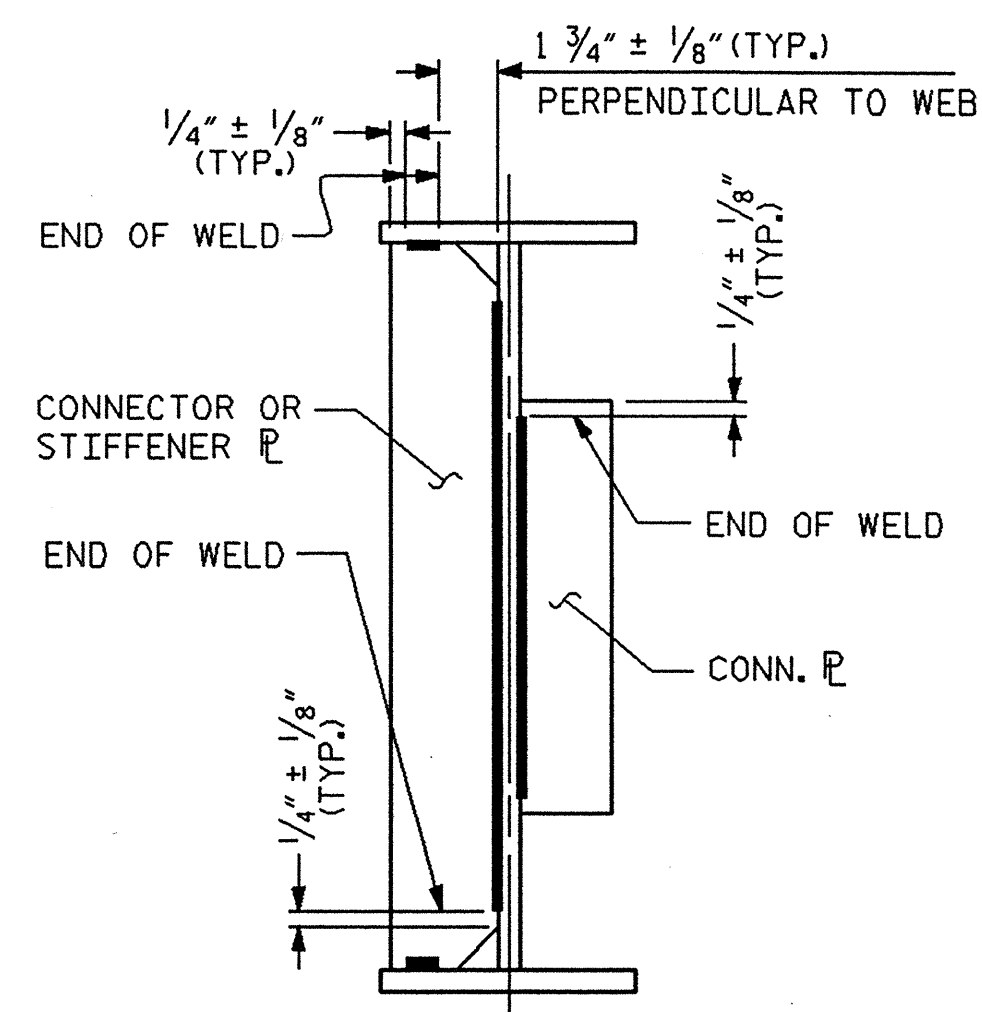
CONNECTOR PLATE



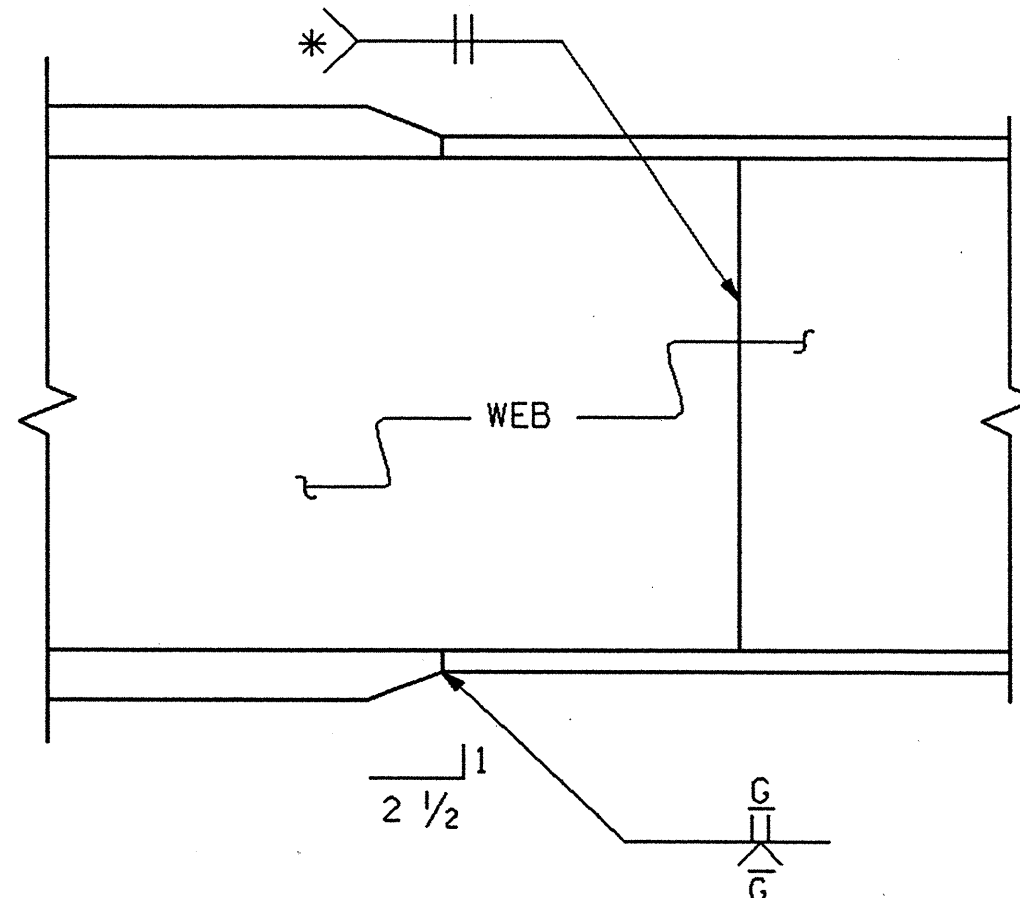
TYPICAL GUSSET PLATE CONNECTION



TYPICAL "TEE" TO GUSSET PLATE CONNECTION

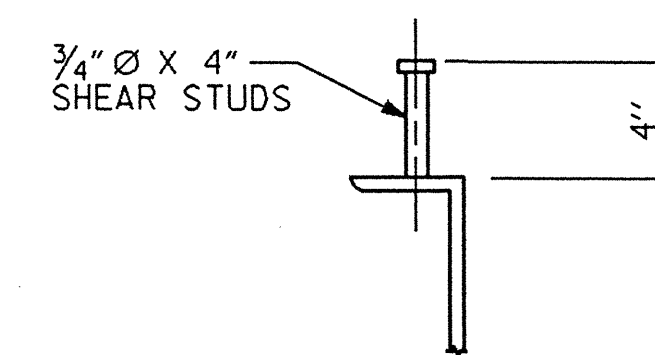


TYPICAL STIFFENER OR CONNECTOR PLATE CONNECTIONS



TYPICAL FLANGE AND WEB BUTT JOINT

\* GRIND SMOOTH AND FLUSH ON OUTER FACE OF EXTERIOR BEAMS/GIRDERS

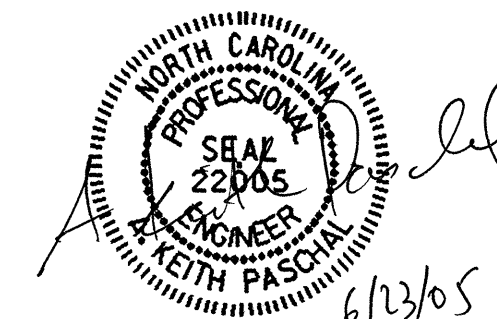


SHEAR STUD DETAILS

PROJECT NO. B-3681  
 NASH/EDGEcombe COUNTY  
 STATION: 18+89.64 -L-

SHEET OF

STATE OF NORTH CAROLINA DEPARTMENT OF TRANSPORTATION RALEIGH					
SUPERSTRUCTURE					
STRUCTURAL STEEL DETAILS					
REVISIONS					SHEET NO.
NO.	BY:	DATE:	NO.	BY:	DATE:
1			3		
2			4		
TOTAL SHEETS					S-13
					36



DRAWN BY: A.M.KEETER DATE: 11/17/04  
 CHECKED BY: K.M.McCAULEY DATE: 3/8/05