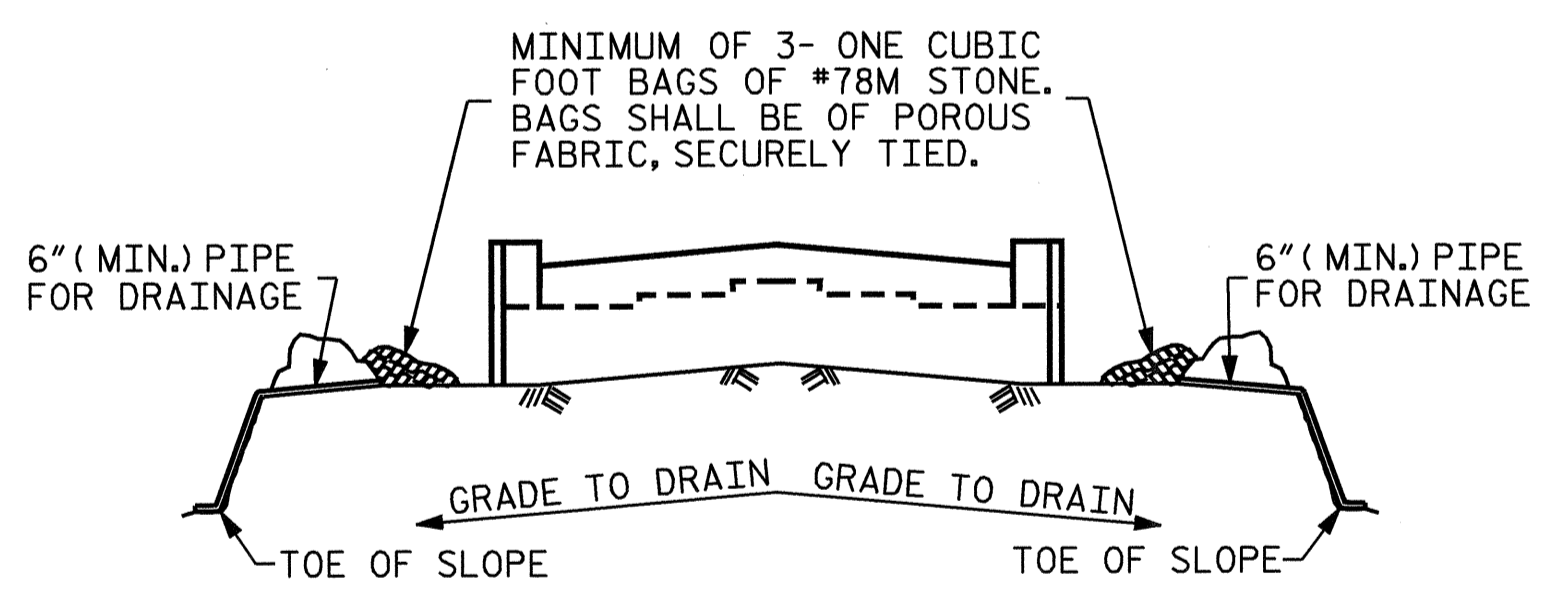


SECTION A-A

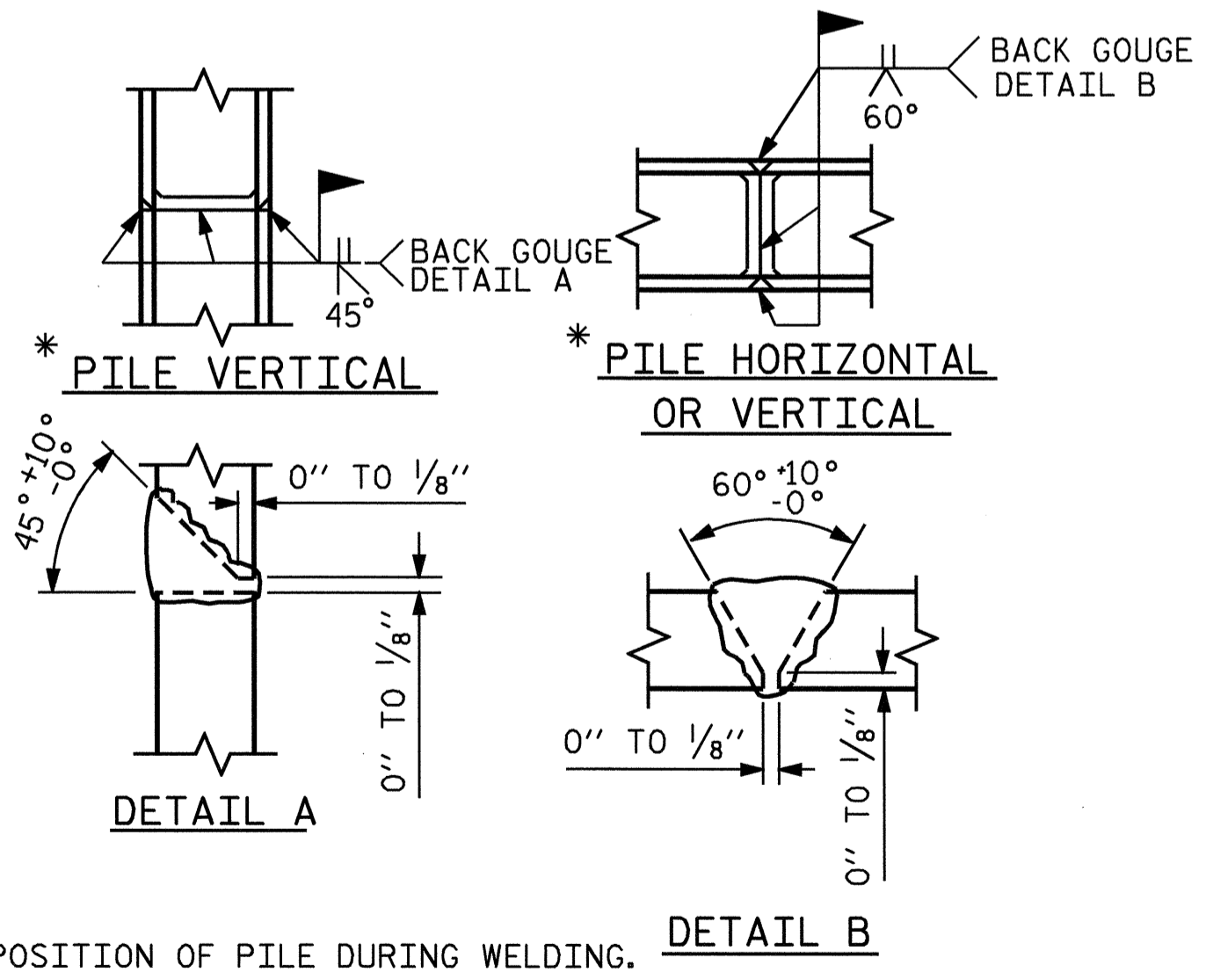


BAGGED STONE AND PIPE SHALL BE PLACED IMMEDIATELY AFTER COMPLETION OF END BENT EXCAVATION. PIPE MAY BE EITHER CONCRETE, CORRUGATED STEEL, CORRUGATED ALUMINUM ALLOY, OR CORRUGATED PLASTIC. PERFORATED PIPE WILL NOT BE ALLOWED.

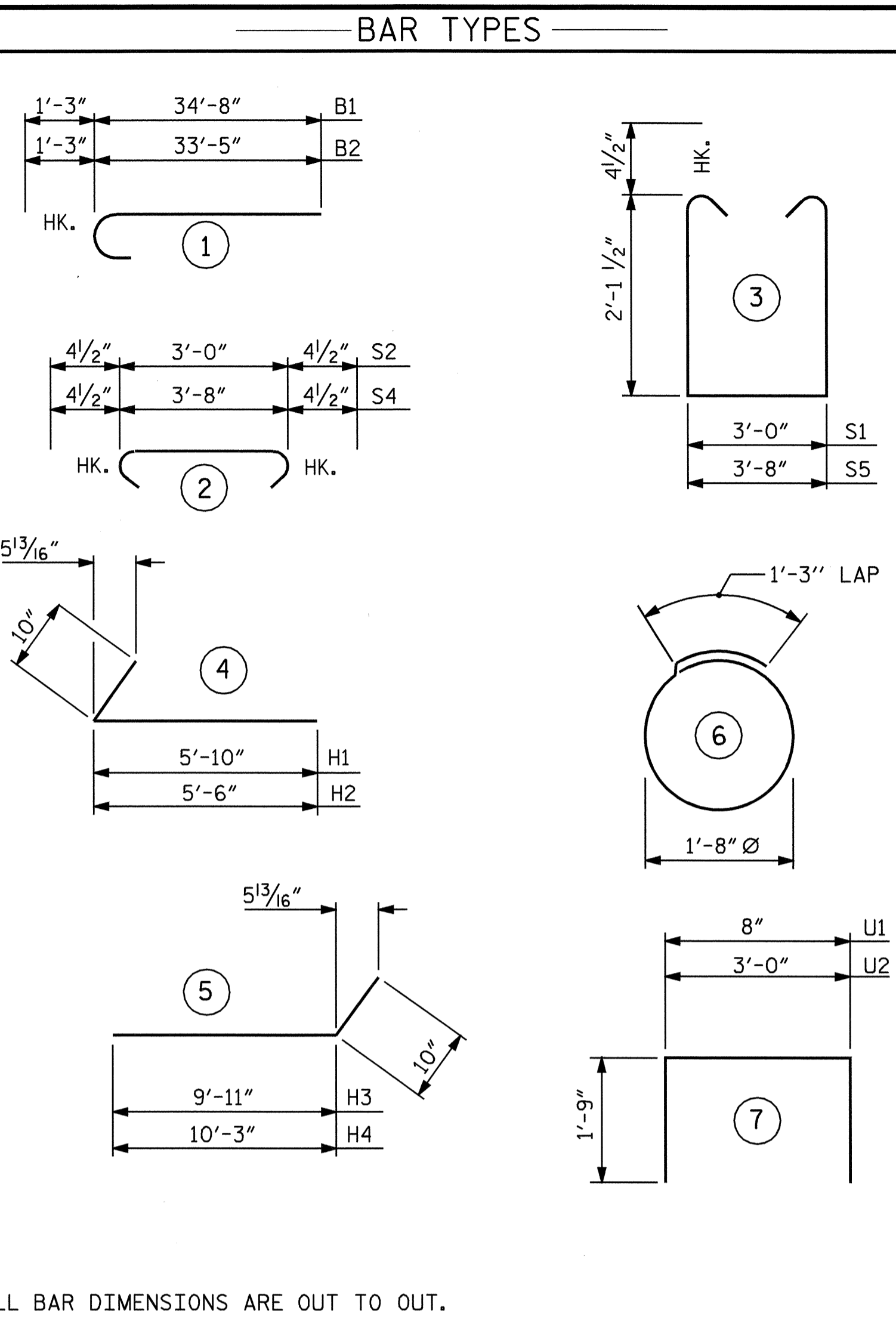
BAGGED STONE SHALL REMAIN IN PLACE UNTIL THE ENGINEER DIRECTS THAT IT BE REMOVED. THE CONTRACTOR SHALL REMOVE AND DISPOSE OF SILT ACCUMULATIONS AT BAGGED STONE WHEN SO DIRECTED BY THE ENGINEER. BAGS SHALL BE REMOVED AND REPLACED WHENEVER THE ENGINEER DETERMINES THAT THEY HAVE DETERIORATED AND LOST THEIR EFFECTIVENESS.

NO SEPARATE PAYMENT WILL BE MADE FOR THIS WORK AND THE ENTIRE COST OF THIS WORK SHALL BE INCLUDED IN THE UNIT CONTRACT PRICE BID FOR THE SEVERAL PAY ITEMS.

TEMPORARY DRAINAGE AT END BENT



PILE SPlice DETAILS



ALL BAR DIMENSIONS ARE OUT TO OUT.

NOTES:

STIRRUPS IN CAP MAY BE SHIFTED AS NECESSARY TO CLEAR ANCHOR BOLTS.

FOR EPOXY PROTECTIVE COATING, SEE SPECIAL PROVISIONS.

BACKWALL SHALL BE PLACED BEFORE APPLYING THE EPOXY PROTECTIVE COATING.

THE TOP SURFACE AREAS OF THE END BENT CAP SHALL BE CURED IN ACCORDANCE WITH THE STANDARD SPECIFICATIONS EXCEPT THE MEMBRANE CURING COMPOUND METHOD SHALL NOT BE USED.

THE TOP SURFACE OF THE CAP EXCEPT THE BRIDGE SEAT BUILDUPS SHALL BE SLOPED TRANSVERSELY FROM THE FILL FACE TO THE BACK FACE AT THE RATE OF 2%.

THE CONTRACTOR SHALL PROVIDE FOR INSTALLATION OF THE 4" DIAMETER DRAIN PIPE THROUGH THE WING WALL AS REQUIRED FOR REINFORCED BRIDGE APPROACH FILLS. SEE THE ROADWAY PLANS. REINFORCING STEEL IN THE WING WALL MAY BE SHIFTED AS NECESSARY TO CLEAR THE DRAIN PIPE.

BILL OF MATERIAL

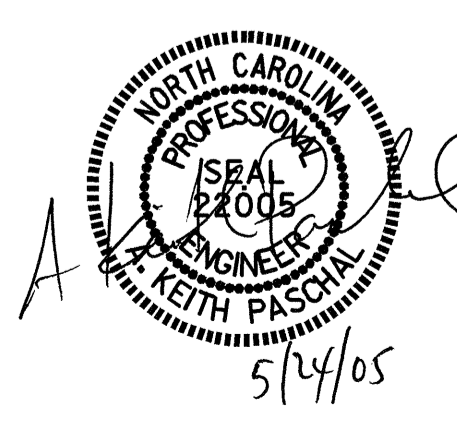
END BENT 2					
BAR	NO.	SIZE	TYPE	LENGTH	WEIGHT
B1	10	9	1	35'-11"	1221
B2	10	9	1	34'-8"	1179
B3	4	5	STR	31'-9"	132
B4	12	4	STR	21'-10"	175
B5	15	4	STR	3'-0"	30
B6	10	4	STR	19'-8"	131
B7	5	4	STR	2'-2"	7
H1	9	5	4	6'-8"	63
H2	9	5	4	6'-4"	59
H3	9	5	5	10'-9"	100
H4	9	5	5	11'-1"	104
K1	24	4	STR	21'-10"	350
K2	8	4	STR	3'-2"	17
S1	56	4	3	8'-0"	299
S2	56	4	2	3'-9"	140
S3	16	4	7	6'-6"	69
S4	3	4	2	4'-5"	9
S5	3	4	3	8'-8"	17
U1	53	4	7	4'-2"	148
U2	27	4	7	6'-6"	117
V1	106	5	STR	5'-1"	562
V2	24	5	STR	6'-11"	130
V3	25	5	STR	6'-5"	173
REINFORCING STEEL					LBS. 5232
CLASS A CONCRETE (CU. YDS.)					
POUR 1					
CAP & LOWER PART OF WING					23.0
POUR 2					
BACKWALL & UPPER PART OF WING					9.7
TOTAL					32.7
HP 12 x 53 STEEL PILES					
No. 8					360 LIN.FT.

PROJECT NO. B-3681
NASH/EDGEcombe COUNTY
 STATION: 18+89.64 -L-

SHEET 3 OF 3

STATE OF NORTH CAROLINA
 DEPARTMENT OF TRANSPORTATION
 RALEIGH

SUBSTRUCTURE
 END BENT 2



DRAWN BY : E. G. ALLEN DATE : 12-20-04
 CHECKED BY : A. M. KEETER DATE : 1-05-05

REVISIONS						TOTAL SHEETS
NO.	BY:	DATE:	NO.	BY:	DATE:	36
1			3			
2			4			