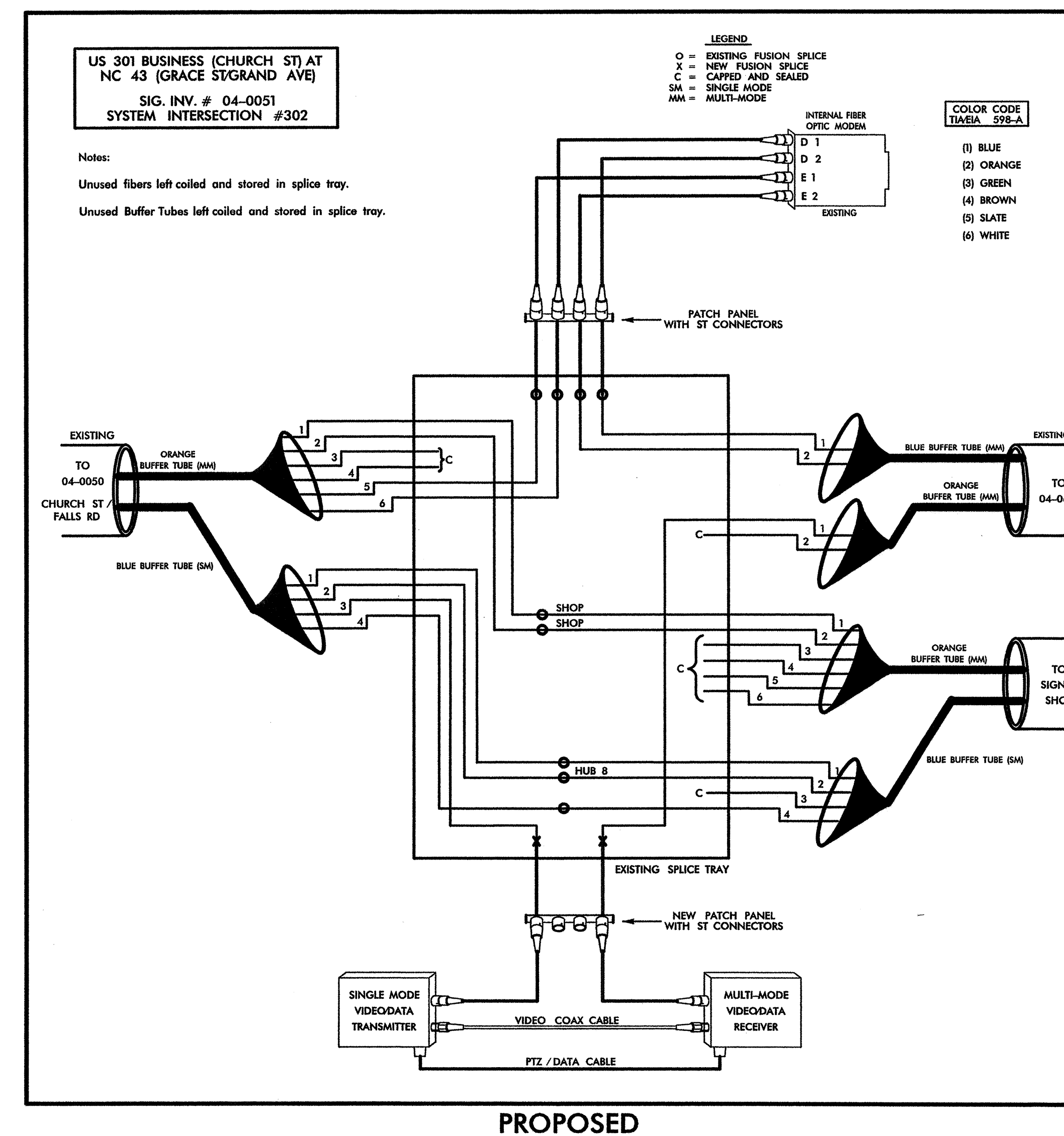
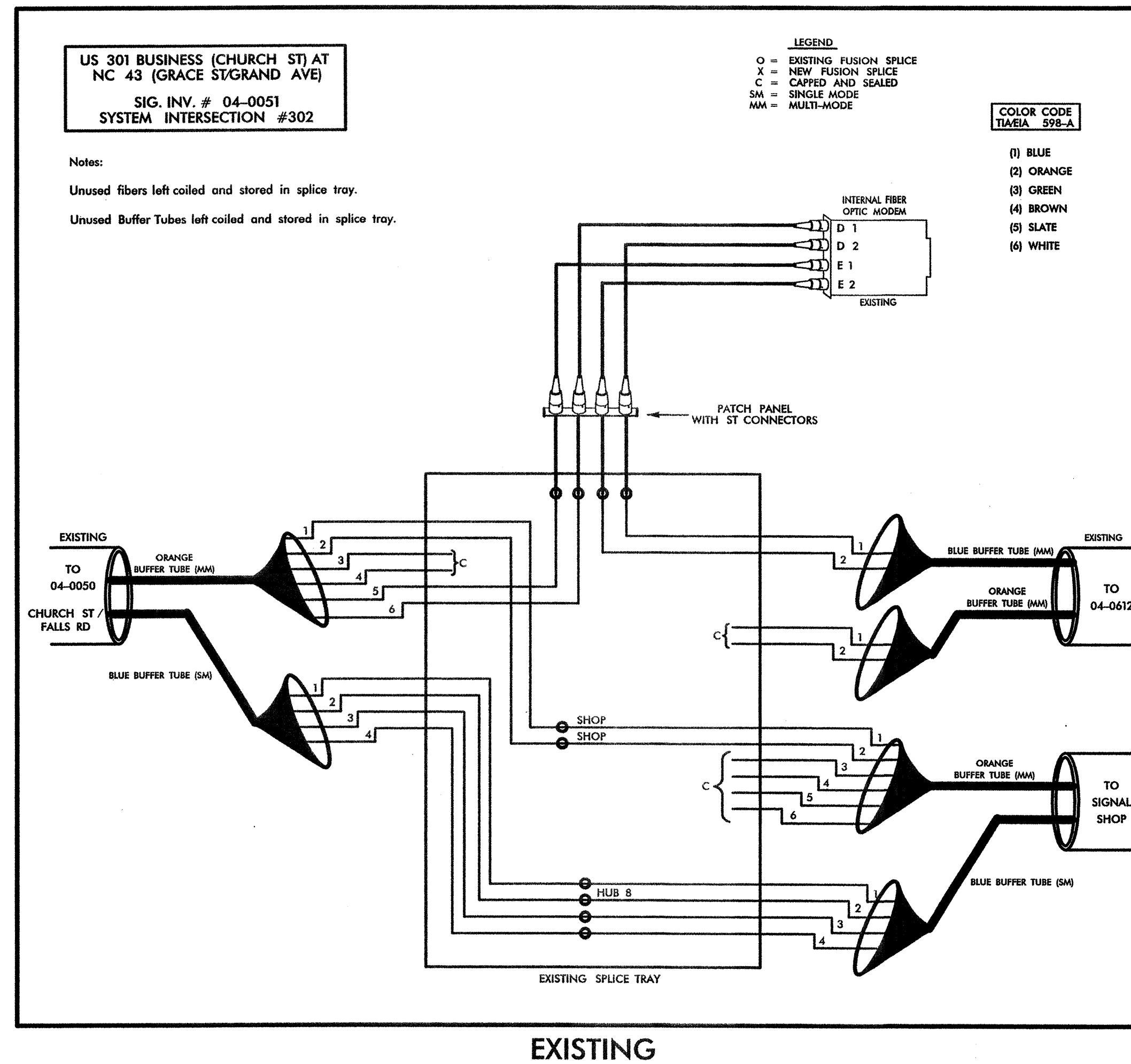


FIBER OPTIC CABLE



NOTE:
TRANSCIVER TERMINATION CONFIGURATIONS ARE GENERIC.
CONTRACTOR IS RESPONSIBLE FOR DETERMINING/ENSURING
THE PROPER TERMINATIONS.

HNTB HNTB NORTH CAROLINA, P.C.
343 E. Six Forks Road, Suite 200
Raleigh, North Carolina 27609

	<p>Fiber Optic Splice Details</p> <p>Division 04 Edgecombe/Nash Counties Rocky Mount</p> <p>PLAN DATE: February 2005 REVIEWED BY: S.T. Franklin</p> <p>PREPARED BY: T.R. Terrell REVIEWED BY: H.L. Winstead</p>									
	<p>SCALE</p> <p>NONE</p>	<table border="1" style="width: 100%; border-collapse: collapse;"> <thead> <tr> <th>REVISIONS</th> <th>INIT.</th> <th>DATE</th> </tr> </thead> <tbody> <tr> <td> </td> <td> </td> <td> </td> </tr> <tr> <td> </td> <td> </td> <td> </td> </tr> </tbody> </table> <p>SIGNATURE: <i>H. Winstead</i> DATE: 4/28/05</p> <p>CADD FILE NAME: SPLICE.DGN</p>	REVISIONS	INIT.	DATE					
REVISIONS	INIT.	DATE								