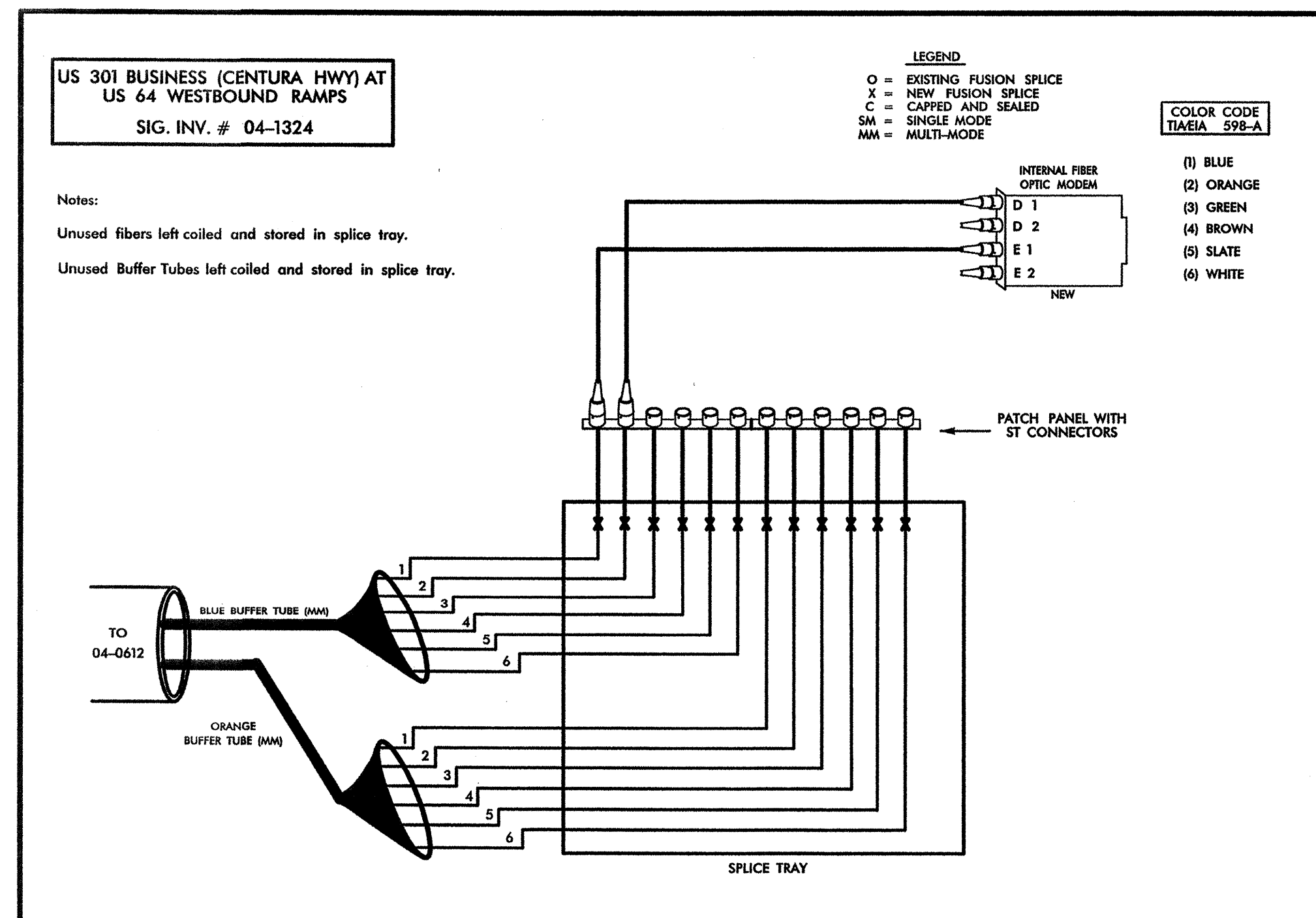
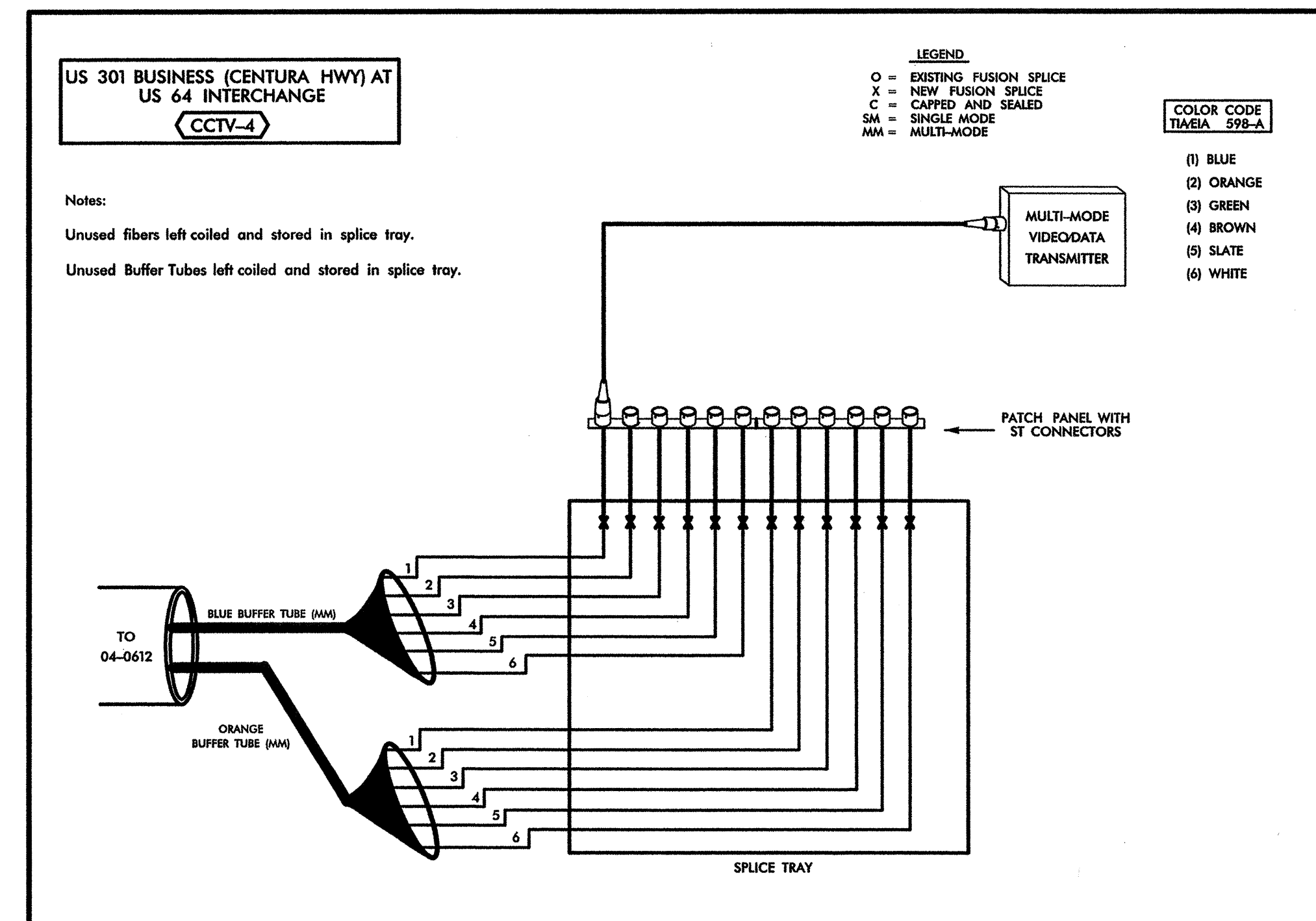
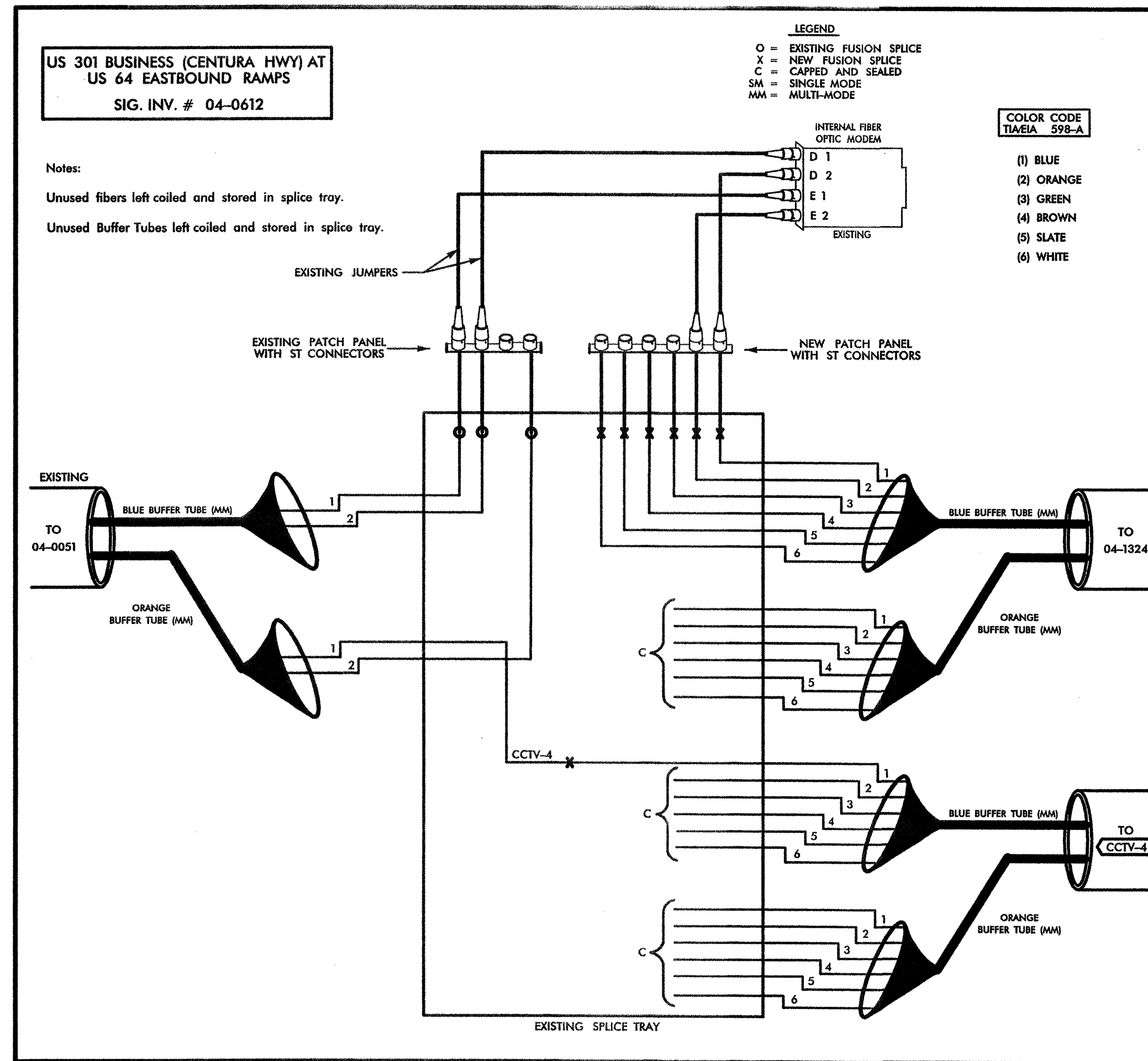




FIBER OPTIC CABLE



NOTE:
 TRANSCIVER TERMINATION CONFIGURATIONS ARE GENERIC.
 CONTRACTOR IS RESPONSIBLE FOR DETERMINING/ENSURING
 THE PROPER TERMINATIONS.

HNTB HNTB NORTH CAROLINA, P.C.
 343 E. Six Forks Road, Suite 200
 Raleigh, North Carolina 27609

Signal Upgrade

	<p>Prepared for:</p> <p style="text-align: center;">Fiber Optic Splice Details</p>		
	<p>Division 04 Edgecombe/Nash Counties Rocky Mount</p> <p>PLAN DATE: February 2005 REVIEWED BY: S.T. Franklin</p> <p>PREPARED BY: T.R. Terrell REVIEWED BY: H.L. Winstead</p>		
<p>SCALE</p> <p>NONE</p>	<p>REVISIONS</p>	<p>INIT. DATE</p>	<p>SIGNATURE DATE</p> <p><i>H.L. Winstead</i> 5/18/05</p>
<p>CADD FILE NAME SPLICE.DGN</p>			