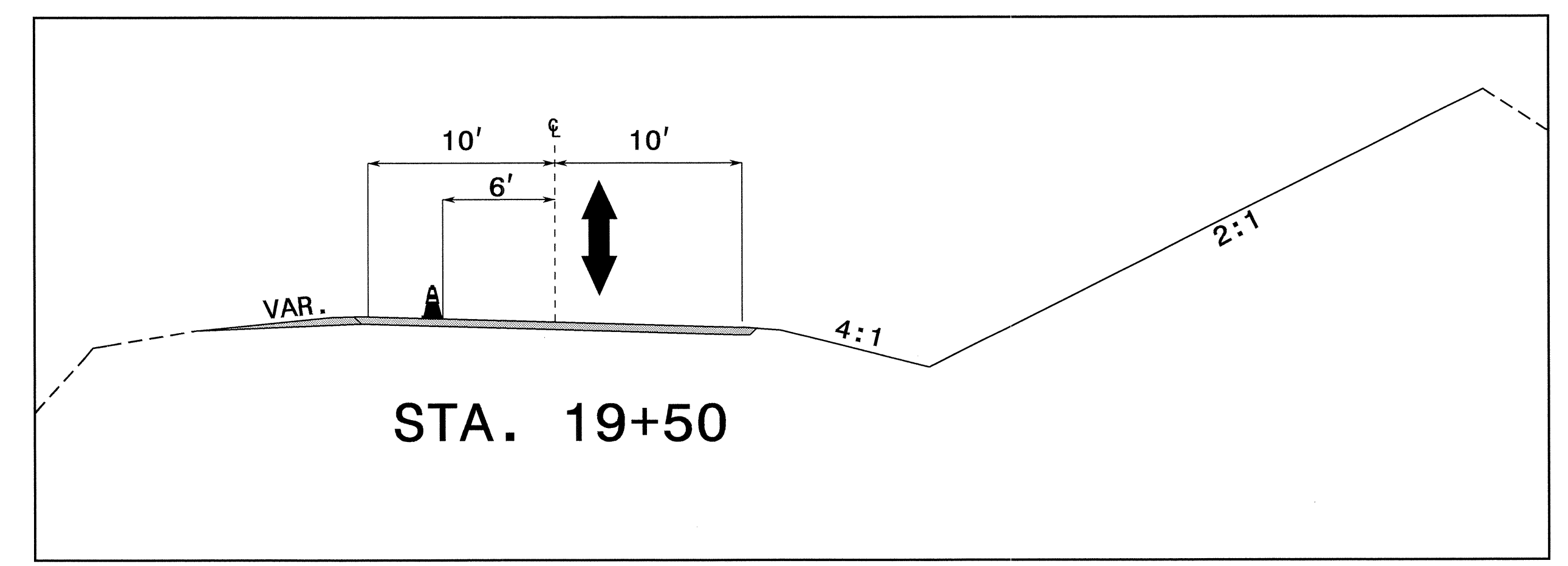


STA. 14+50  
CUT SECTION C-C



STA. 19+50  
CUT SECTION D-D

APPROVED: <i>[Signature]</i> DATE: 2/1/05	PHASE II	
SCALE: NONE		REVISIONS
DATE:		
DWG. BY:		
DESIGN BY:		
REVIEWED BY:		CADD FILE