

7/2/05

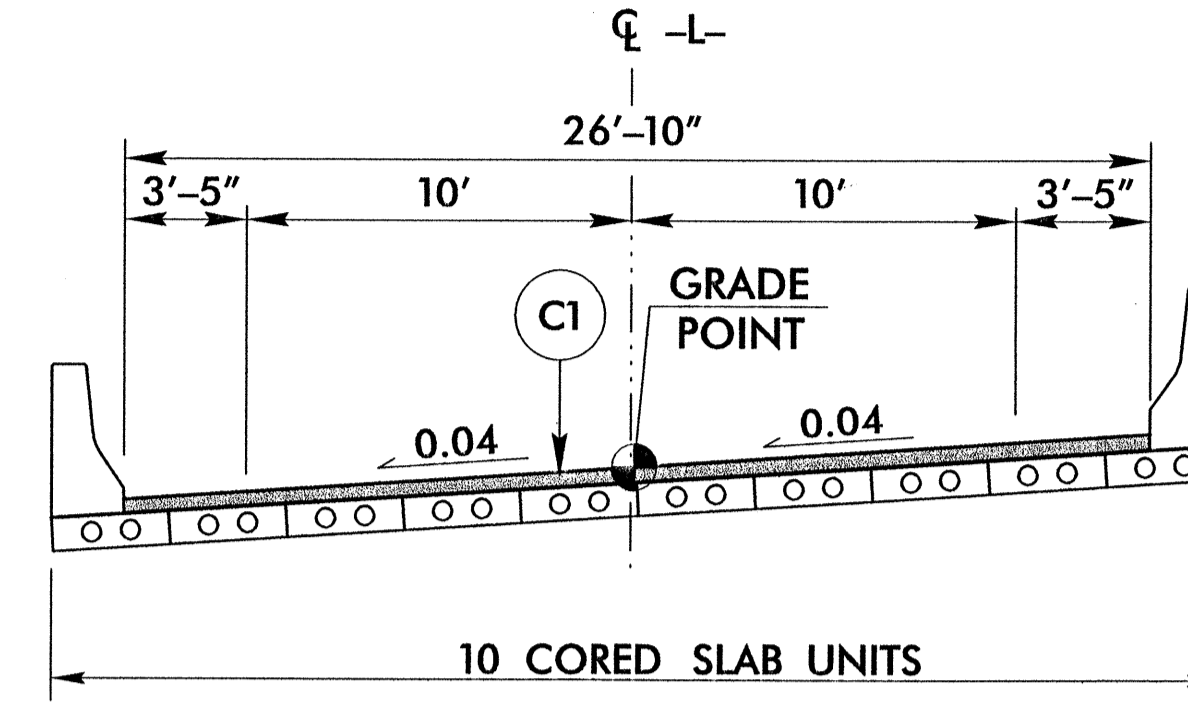
### PAVEMENT SCHEDULE

C1	PROP. APPROX. 1½" ASPHALT CONCRETE SURFACE COURSE, TYPE SF9.5A, AT AN AVERAGE RATE OF 165 LBS. PER SQ. YD.
E1	PROP. APPROX. 4" ASPHALT CONCRETE BASE COURSE, TYPE B25.0B, AT AN AVERAGE RATE OF 456 LBS. PER SQ. YD.
T	EARTH MATERIAL.

NOTE: PAVEMENT EDGE SLOPES ARE 1:1 UNLESS SHOWN OTHERWISE.

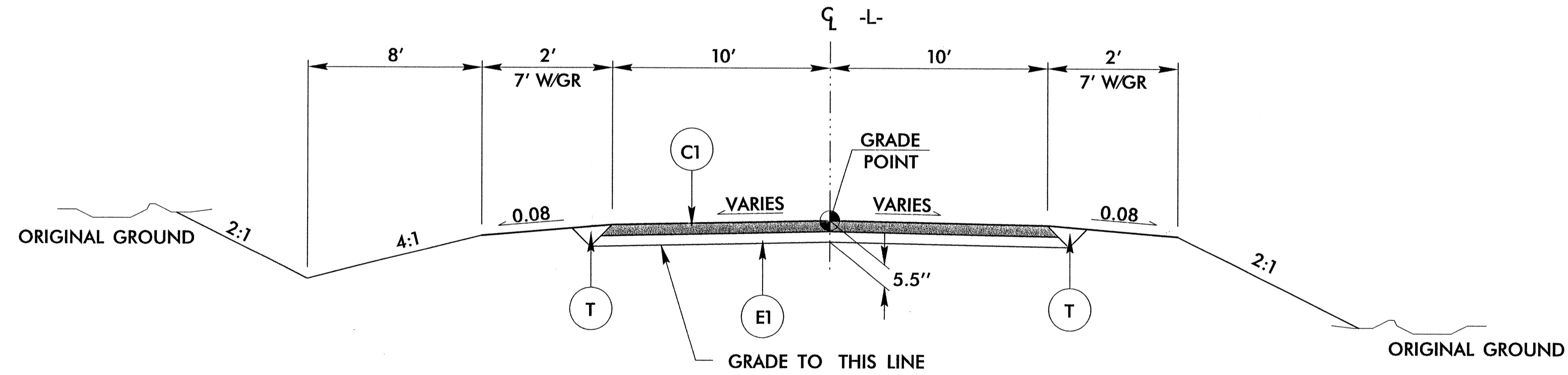
**MULKEY**  
ENGINEERS & CONSULTANTS  
PO Box 22127  
RALEIGH, N.C. 27696  
(919) 851-1912  
(919) 851-1918 (FAX)  
WWW.MULKEYINC.COM

PROJECT REFERENCE NO. B-3666	SHEET NO. 2
RW SHEET NO.	
ROADWAY DESIGN ENGINEER	HYDRAULIC ENGINEER



### DETAIL OF CORED SLAB BRIDGE

-L- STA 15+68 TO STA 16+83



### TYPICAL SECTION NO. 1

USE TYPICAL SECTION NO. 1  
AT THE FOLLOWING LOCATIONS:

- L- STA 13+00.00 TO STA 15+68.00 (BEGIN BRIDGE)
- L- STA 16+83.00 (END BRIDGE) TO STA 21+00.00

02/16/2005 03:43:03 PM  
C:\Roadway\Proj\B3666-Rdy-Typ.dgn