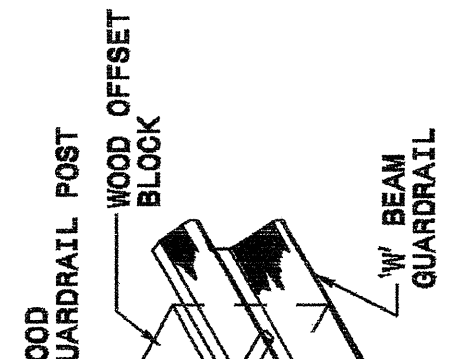
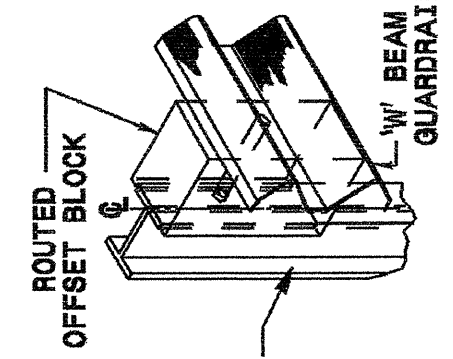
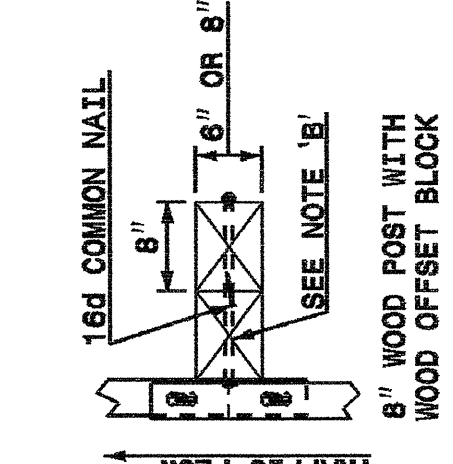
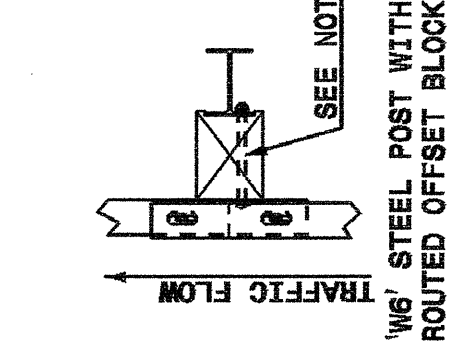
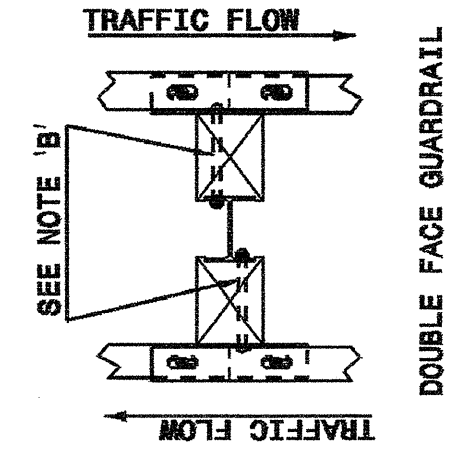


STATE OF
 NORTH CAROLINA
 DEPT. OF TRANSPORTATION
 DIVISION OF HIGHWAYS
 RALEIGH, N.C.

STATE OF
 NORTH CAROLINA
 DEPT. OF TRANSPORTATION
 DIVISION OF HIGHWAYS
 RALEIGH, N.C.

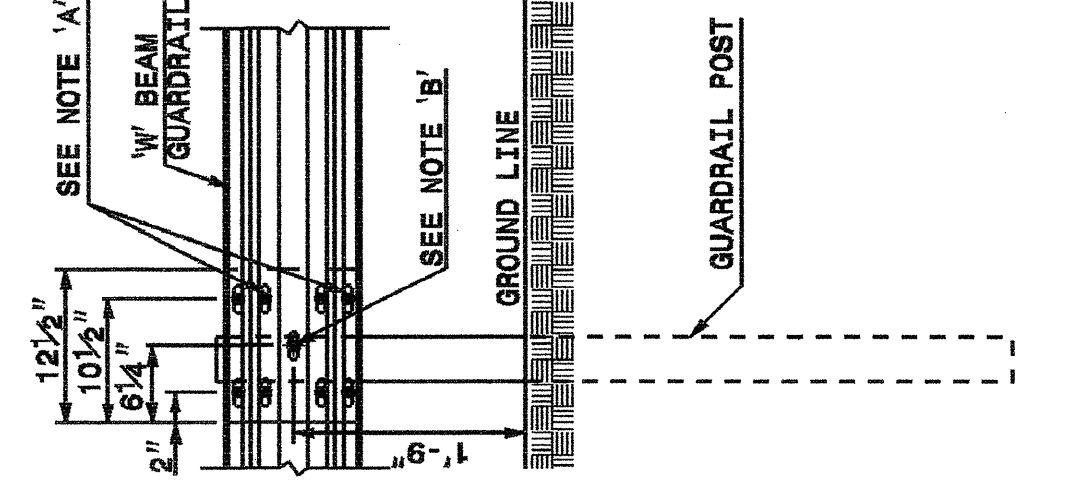
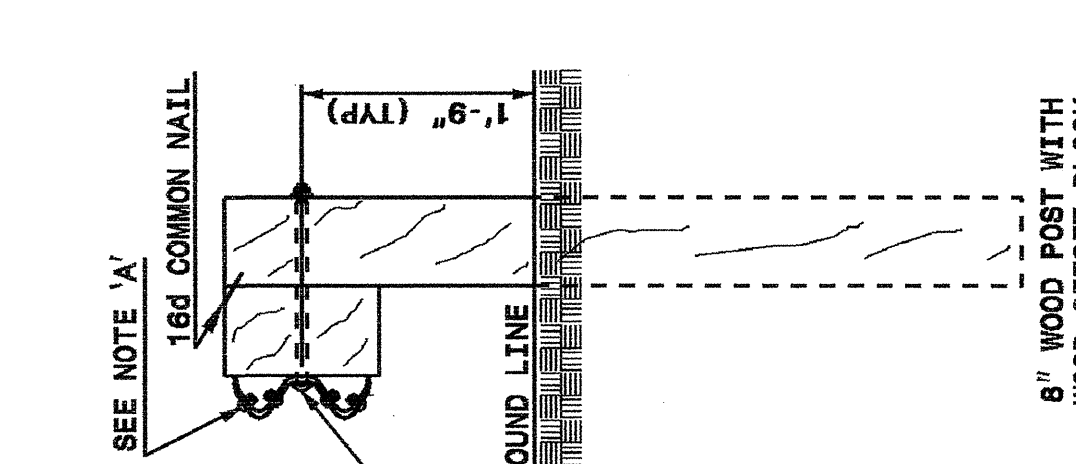
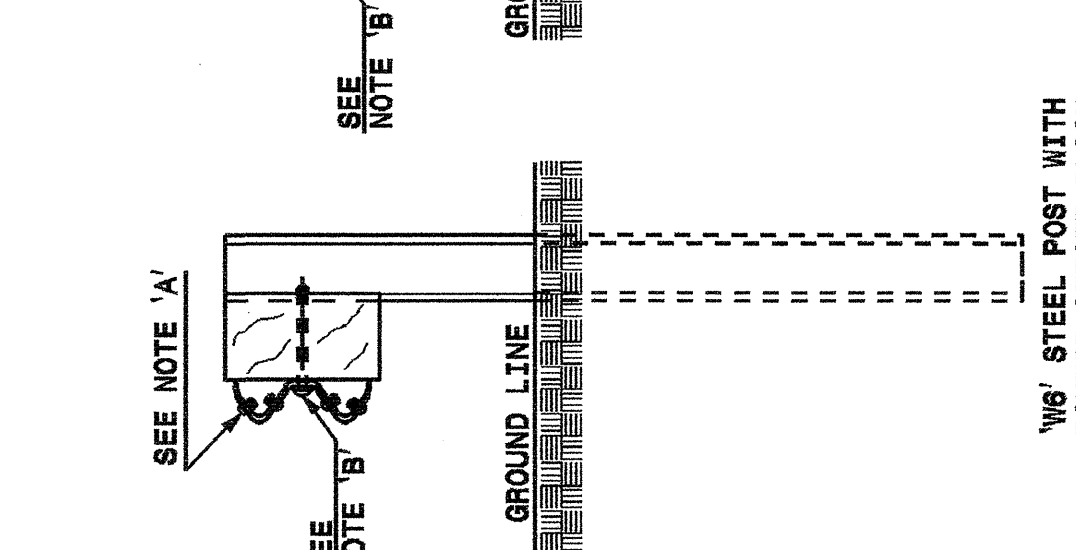
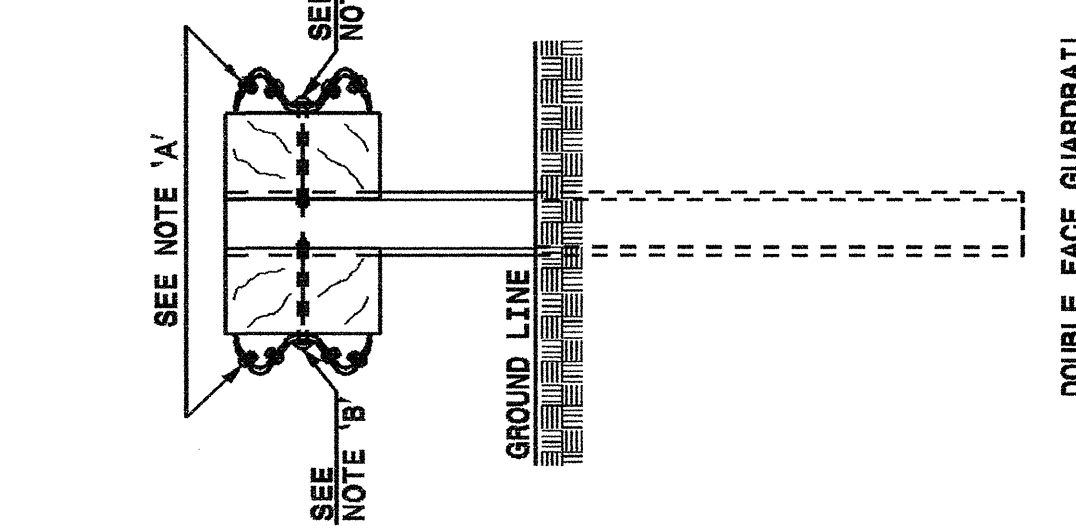


PLAN

ISOMETRIC VIEWS

**ENGLISH DETAIL DRAWING FOR
 GUARDRAIL INSTALLATION**

**ENGLISH DETAIL DRAWING FOR
 GUARDRAIL INSTALLATION**



DOUBLE FACE GUARDRAIL

W6 STEEL POST WITH
 ROUTED OFFSET BLOCK

8" WOOD POST WITH
 WOOD OFFSET BLOCK

W6 BEAM
 GUARDRAIL

W6 BEAM
 GUARDRAIL

NOTES:
 A - 3/8" DIA. BUTTON HEAD SPLICE BOLT 1 1/4" LONG WITH STD. WASHER UNDER NUT (8 REQ. PER SPLICE JOINT).
 B - 3/8" DIA. BUTTON HEAD BOLT 7 1/2/9" LONG WITH 6/8" ROUTED OFFSET BLOCK TO STEEL POSTS OR
 3/8" DIA. BUTTON HEAD BOLT 18" LONG WITH STD. WASHER UNDER NUT FOR BOLTING TO WOOD POSTS (1 REQ. PER LOCATION)
 C - FIELD PUNCHING OF HOLES INTO GUARDRAIL SHALL BE AS DIRECTED BY THE ENGINEER.

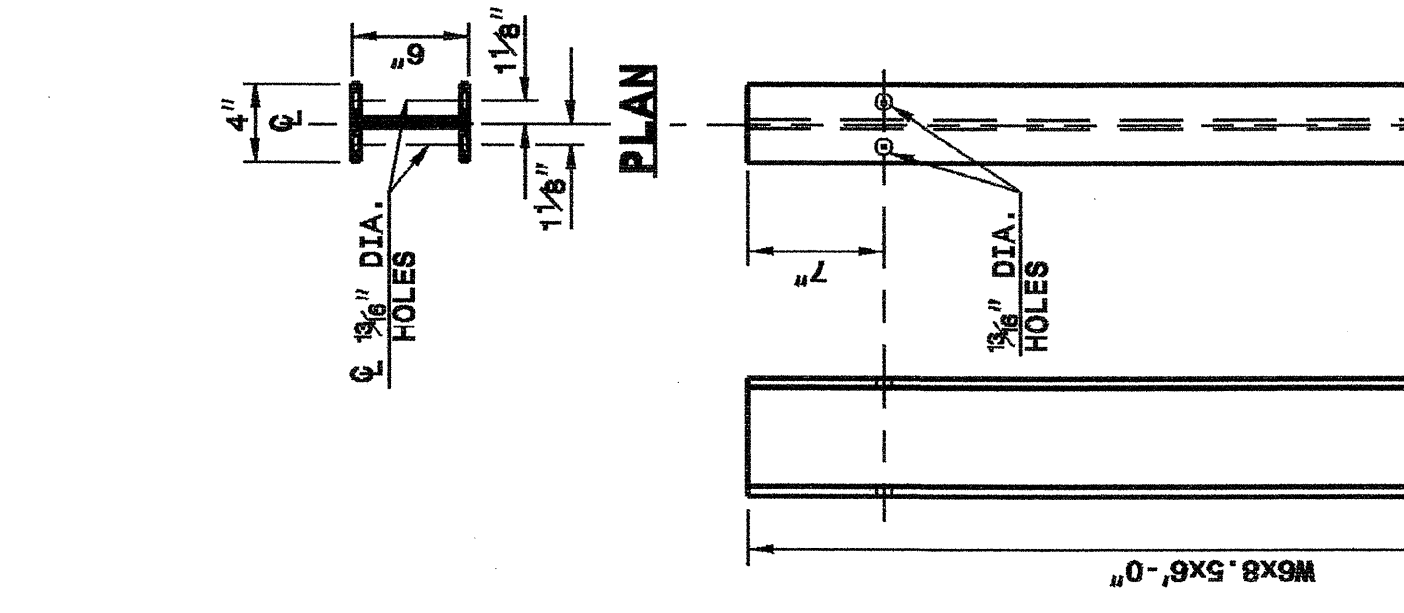
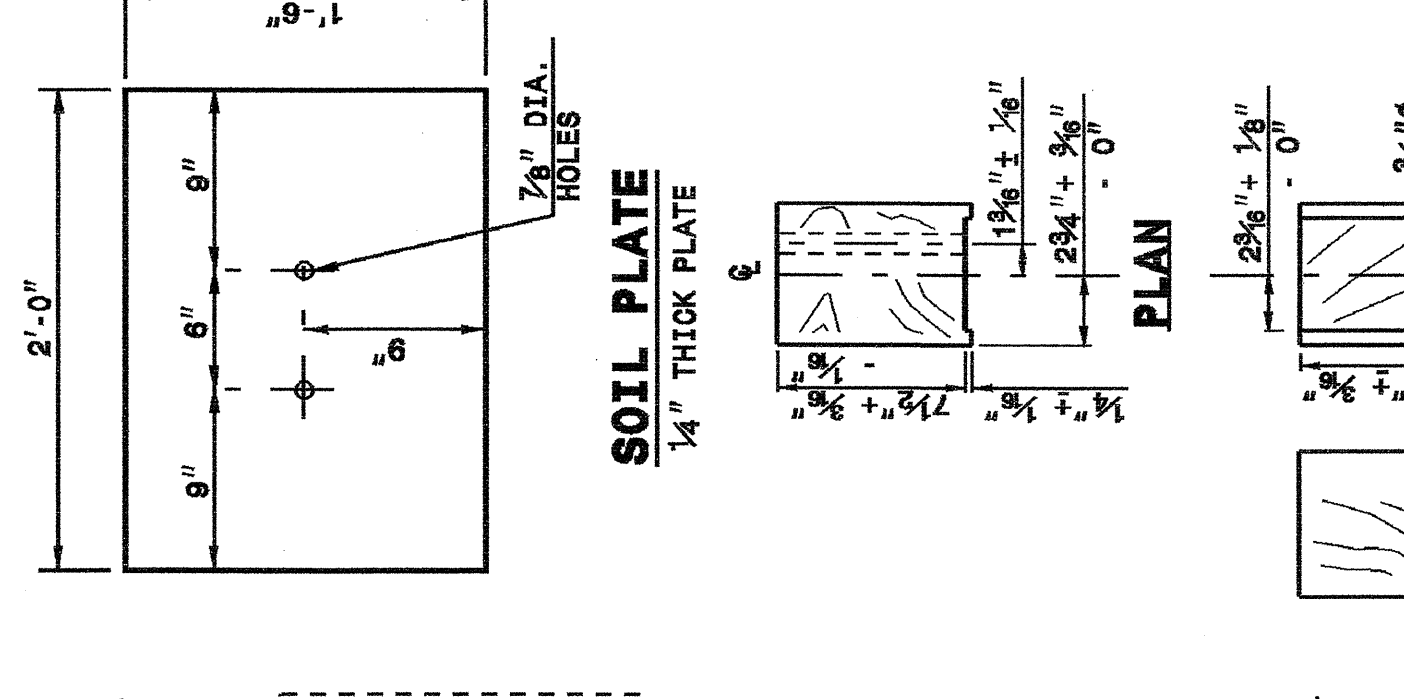
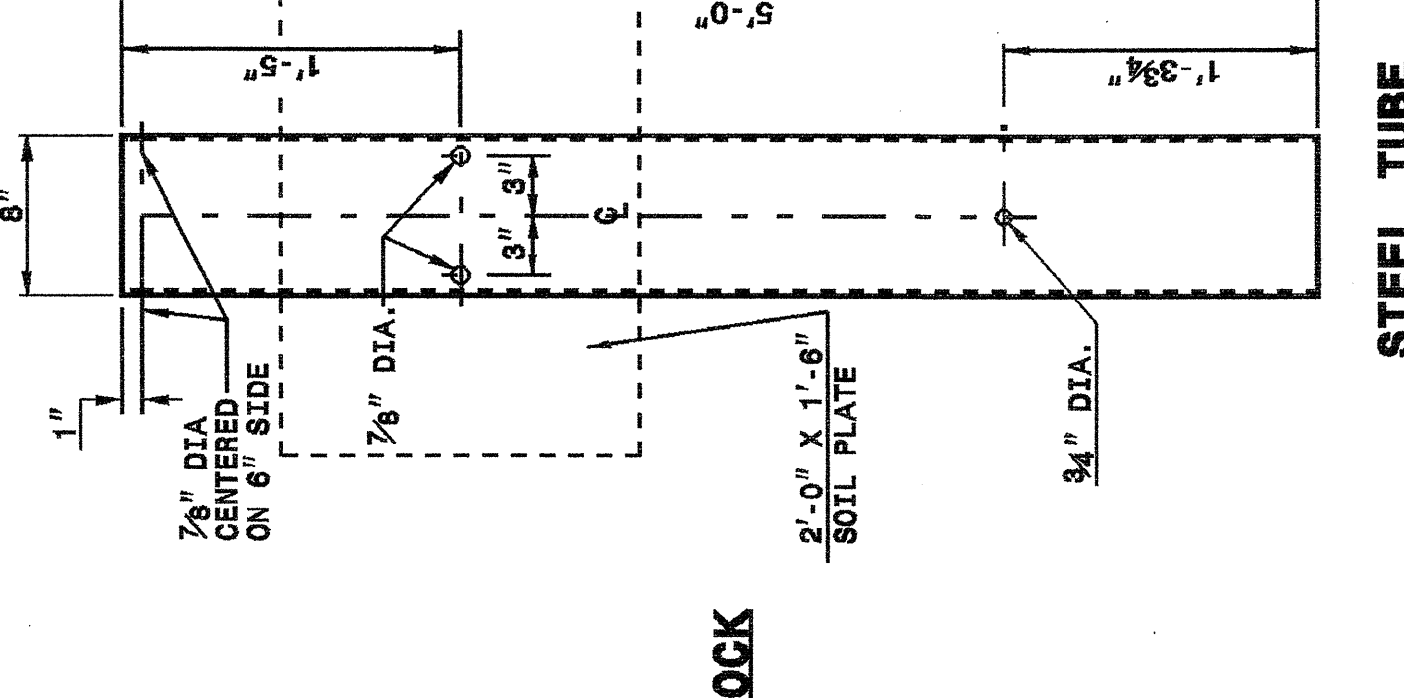
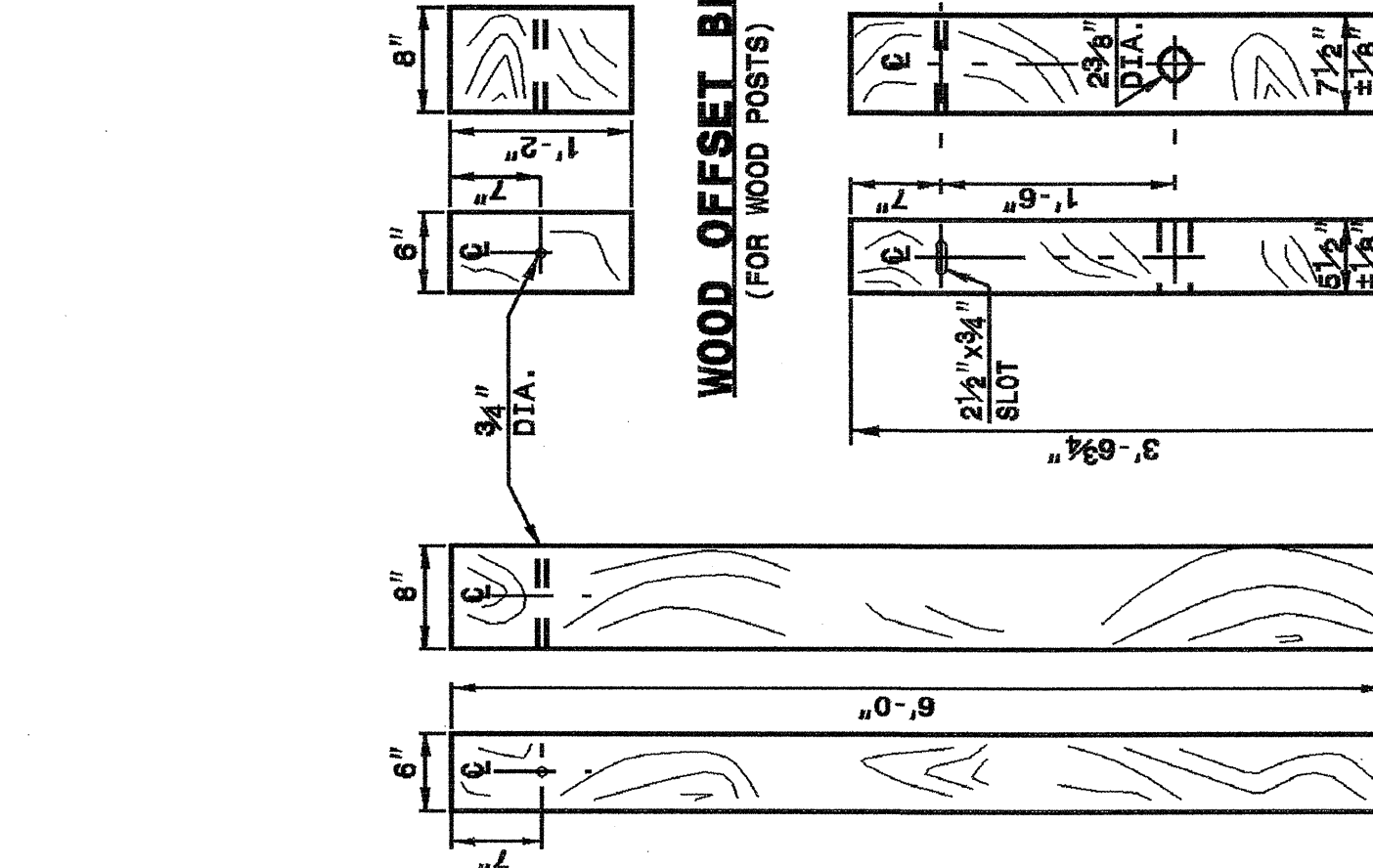
TYPICAL GUARDRAIL AND GUARDRAIL POST ALTERNATIVES

SHEET 3 OF 7
862D02

SHEET 3 OF 7
862D02

STATE OF
 NORTH CAROLINA
 DEPT. OF TRANSPORTATION
 DIVISION OF HIGHWAYS
 RALEIGH, N.C.

STATE OF
 NORTH CAROLINA
 DEPT. OF TRANSPORTATION
 DIVISION OF HIGHWAYS
 RALEIGH, N.C.



SHORT WOOD
 BREAKAWAY POST

BEARING PLATE
 5/8" THICK PLATE

ROUTED WOOD
 OFFSET BLOCK

"W6" STEEL POST

**ENGLISH DETAIL DRAWING FOR
 GUARDRAIL INSTALLATION**

**ENGLISH DETAIL DRAWING FOR
 GUARDRAIL INSTALLATION**

SHEET 4 OF 7
862D02

SHEET 4 OF 7
862D02

SYSTEM PARTS

DESIGN SERVICES UNIT
 STANDARDS AND SPECIAL DESIGN
 Office 919-250-4128 FAX 919-250-4119

SEE PLATE FOR TITLE

ORIGINAL BY: 2002 STD.862.02 DATE:
 MODIFIED BY: E.E. WARD DATE: 02-09-03
 CHECKED BY: DATE:
 FILE SPEC.: /usr/stds/02totetail/eng/lish/86202/862d02.dgn

