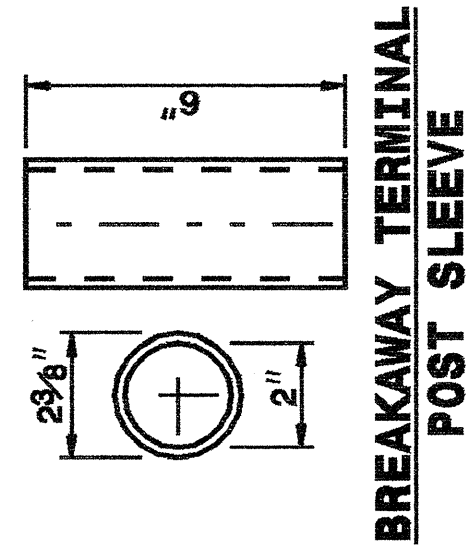


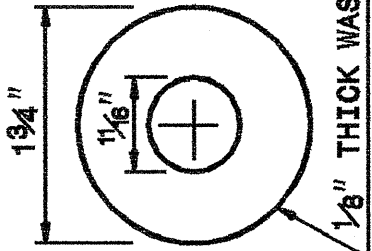
STATE OF
 NORTH CAROLINA
 DEPT. OF TRANSPORTATION
 DIVISION OF HIGHWAYS
 RALEIGH, N.C.

ENGLISH DETAIL DRAWING FOR
GUARDRAIL INSTALLATION

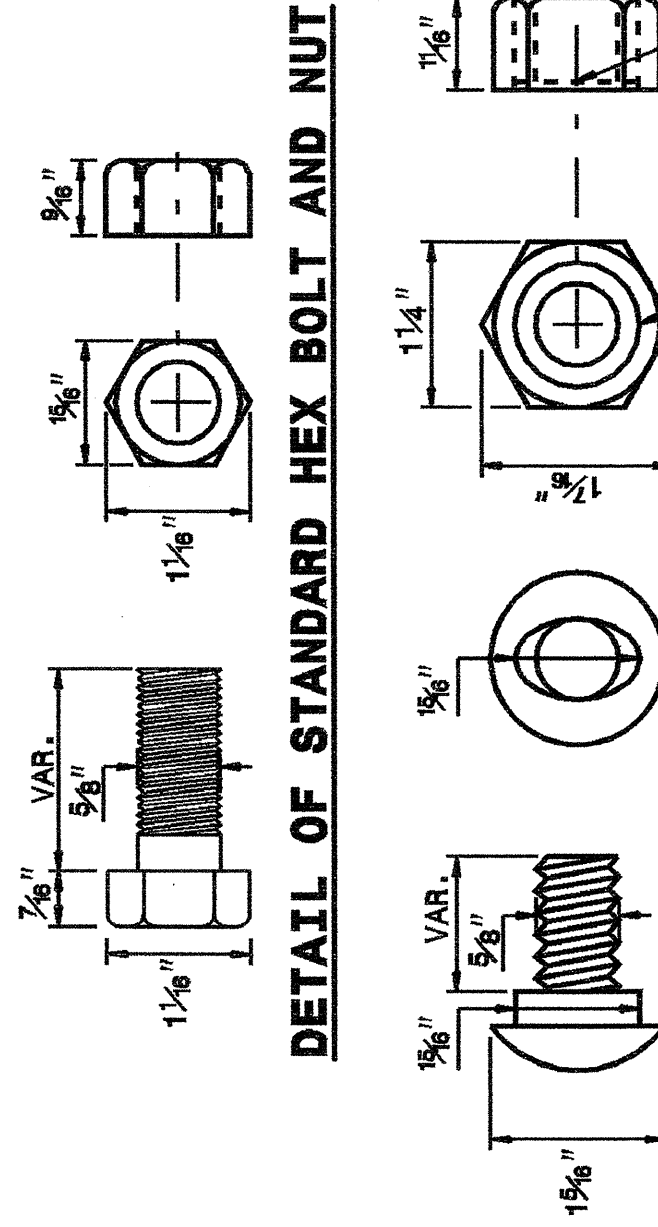
SHEET 5 OF 7
862D02



**BREAKAWAY TERMINAL
 POST SLEEVE**

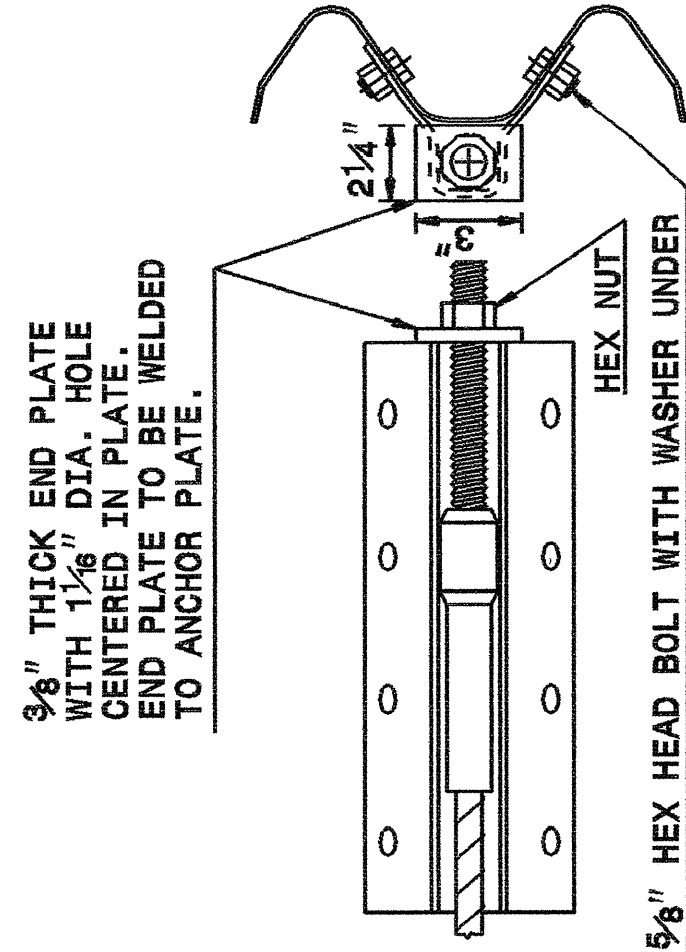


DETAIL OF STANDARD WASHER
 STANDARD WASHER: TYPICAL USE UNDER NUT WITH WOOD POST



DETAIL OF STANDARD HEX BOLT AND NUT

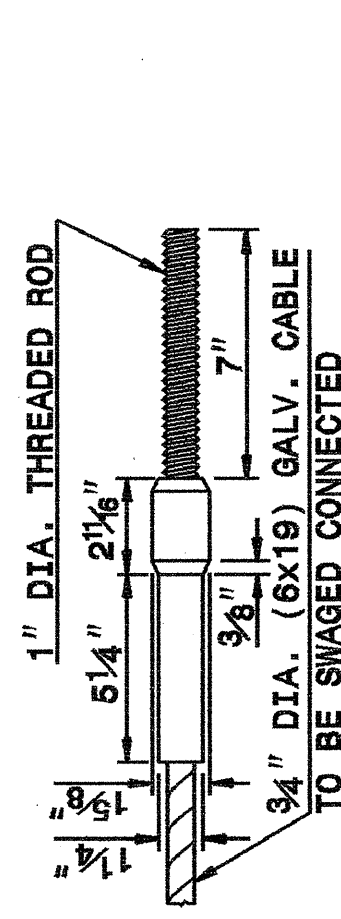
DETAIL OF BUTTON HEAD BOLT AND NUT



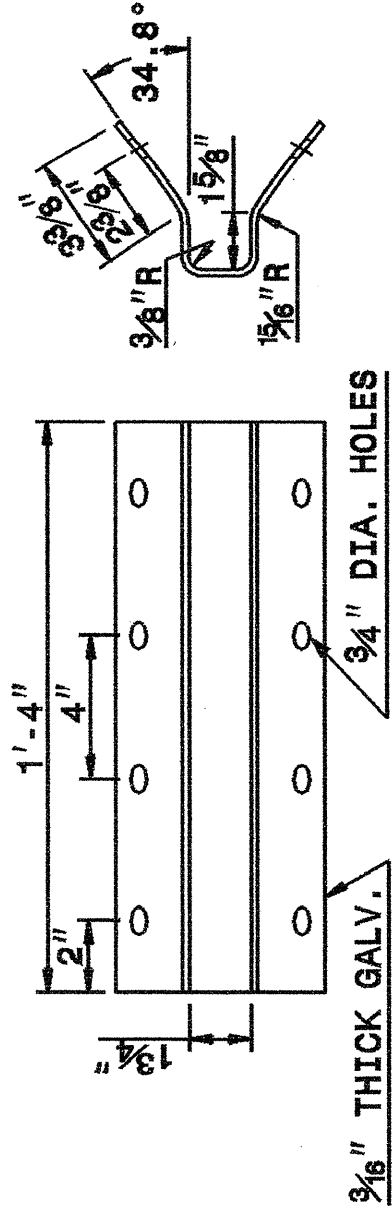
3/4" THICK END PLATE
 WITH 1 1/8" DIA. HOLE
 CENTERED IN PLATE.
 END PLATE TO BE WELDED
 TO ANCHOR PLATE.

5/8" HEX HEAD BOLT WITH WASHER UNDER
 NUT (8 REQUIRED PER ASSEMBLY)

ANCHOR PLATE ASSEMBLY



SWAGED CABLE



3/4" THICK GALV.
 STEEL PLATE

ANCHOR PLATE

CABLE ASSEMBLY

SYSTEM PARTS

SHEET 5 OF 7
862D02

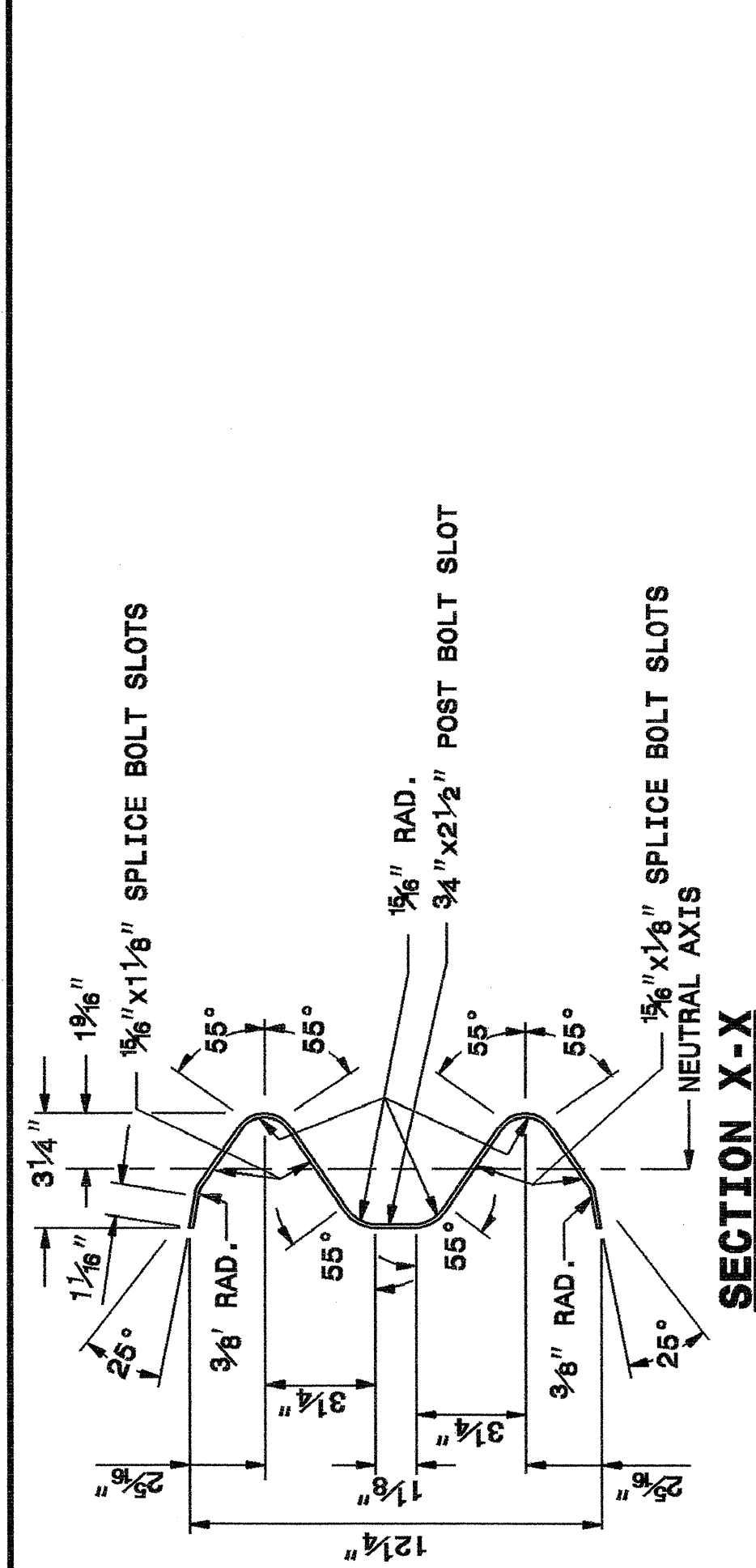
STATE OF
 NORTH CAROLINA
 DEPT. OF TRANSPORTATION
 DIVISION OF HIGHWAYS
 RALEIGH, N.C.

ENGLISH DETAIL DRAWING FOR
GUARDRAIL INSTALLATION

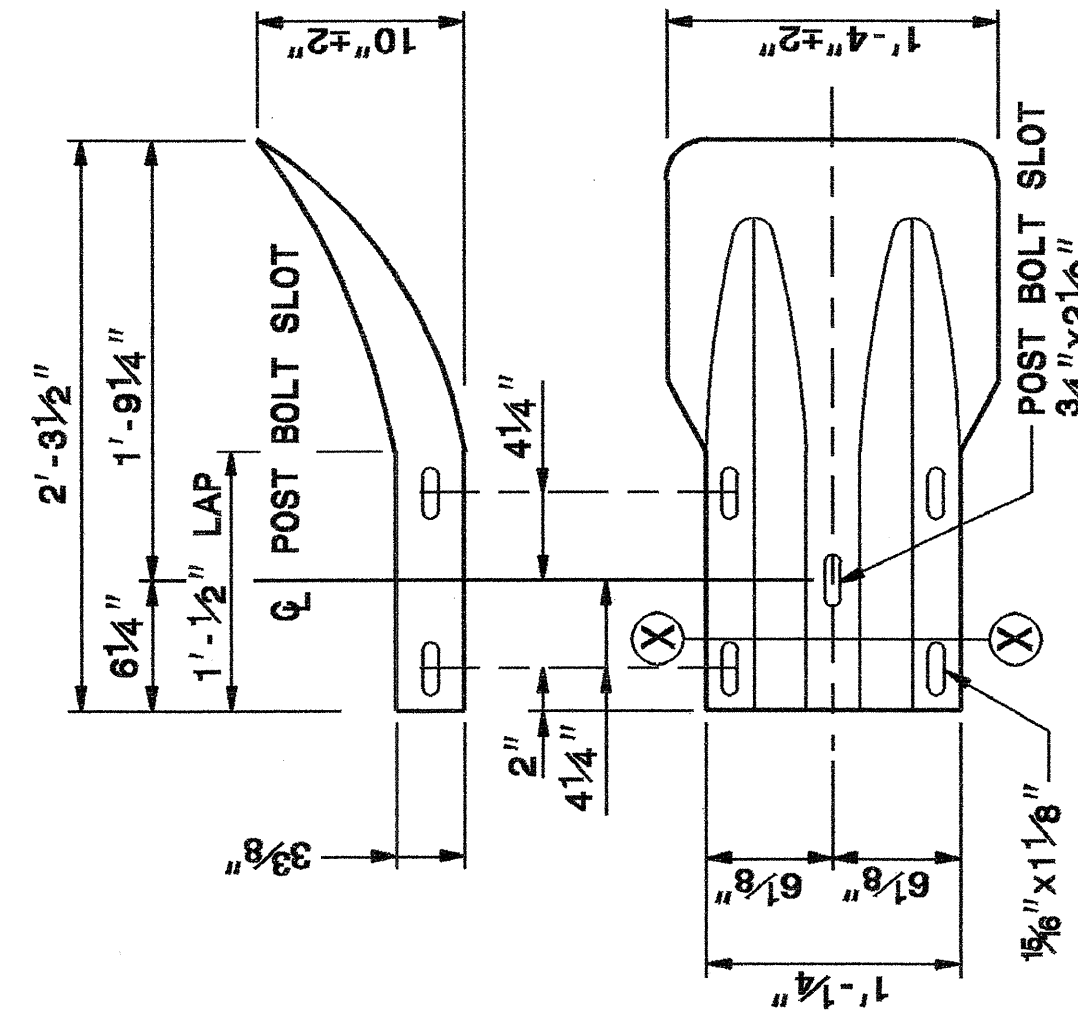
STATE OF
 NORTH CAROLINA
 DEPT. OF TRANSPORTATION
 DIVISION OF HIGHWAYS
 RALEIGH, N.C.

ENGLISH DETAIL DRAWING FOR
GUARDRAIL INSTALLATION

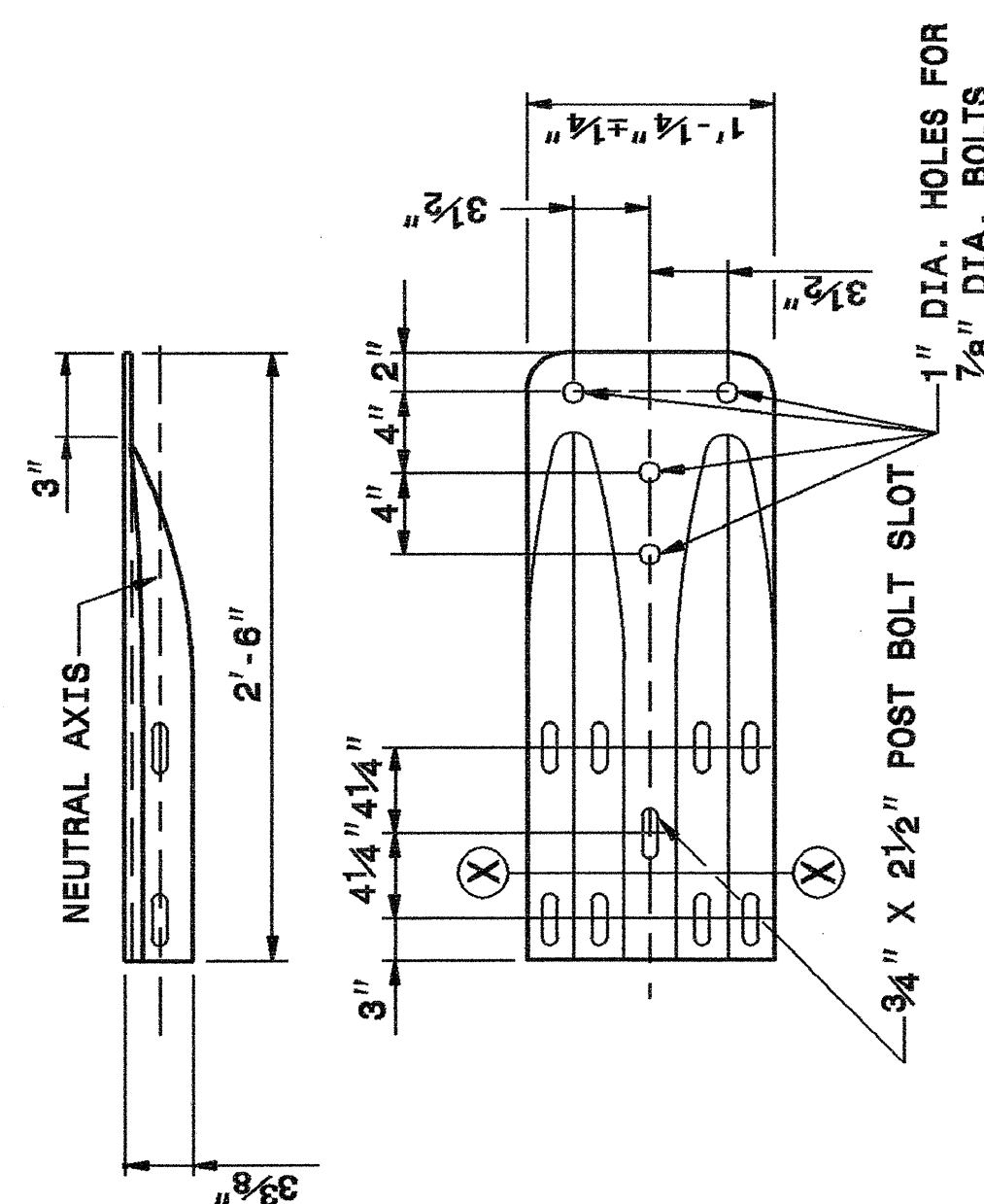
SHEET 6 OF 7
862D02



SECTION X-X



TERMINAL END SECTION



TYPICAL END SHOE

SYSTEM PARTS - GENERAL USE

SHEET 6 OF 7
862D02

ENGLISH DETAIL DRAWING FOR
GUARDRAIL INSTALLATION

STATE OF
 NORTH CAROLINA
 DEPT. OF TRANSPORTATION
 DIVISION OF HIGHWAYS
 RALEIGH, N.C.

**DESIGN SERVICES UNIT
 STANDARDS AND SPECIAL DESIGN**
 Office 919-250-4128 FAX 919-250-4119

SEE PLATE FOR TITLE

ORIGINAL BY: 2002 STD.862.02 DATE:
 MODIFIED BY: E.E. WARD DATE: 02-09-03
 CHECKED BY: DATE:
 FILE SPEC.: /usr/stds/02tdetail/eng/lish/86202/862d02.dgn

