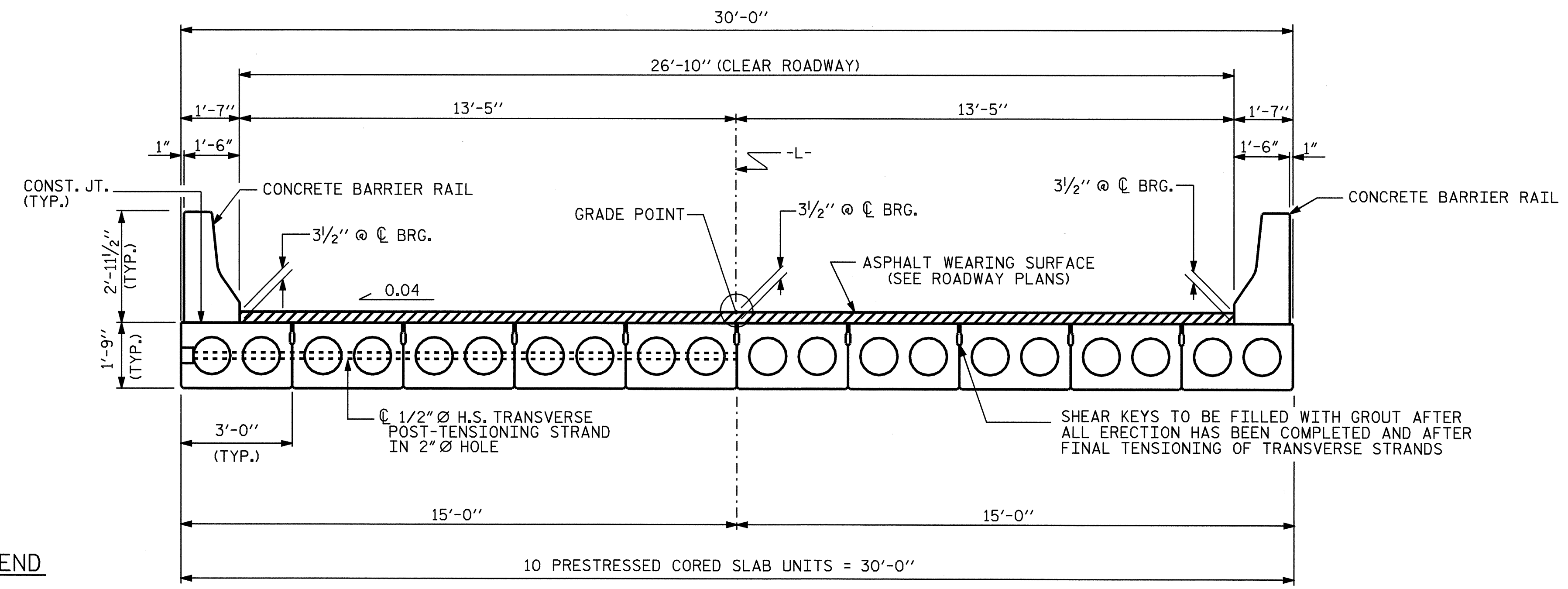
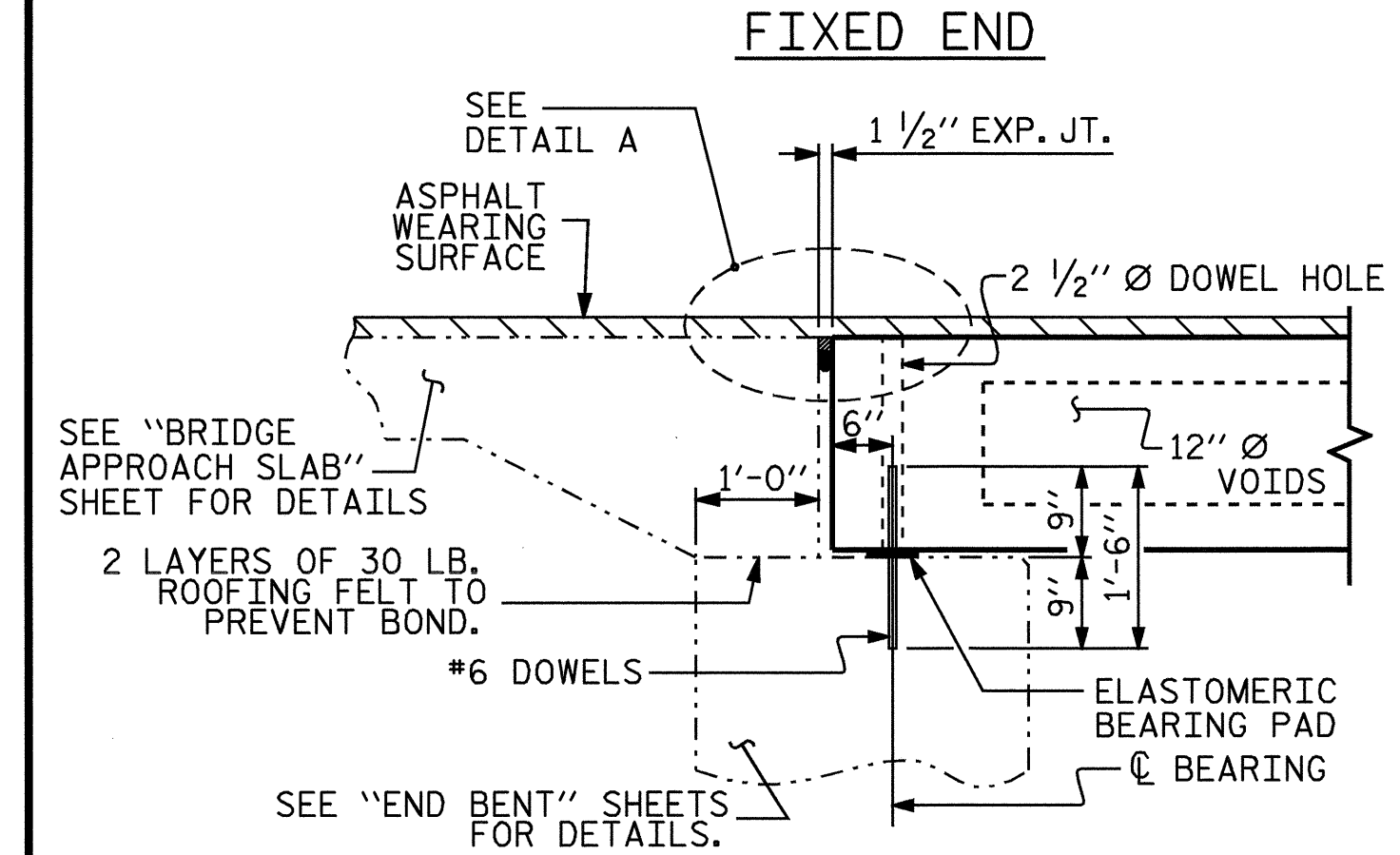


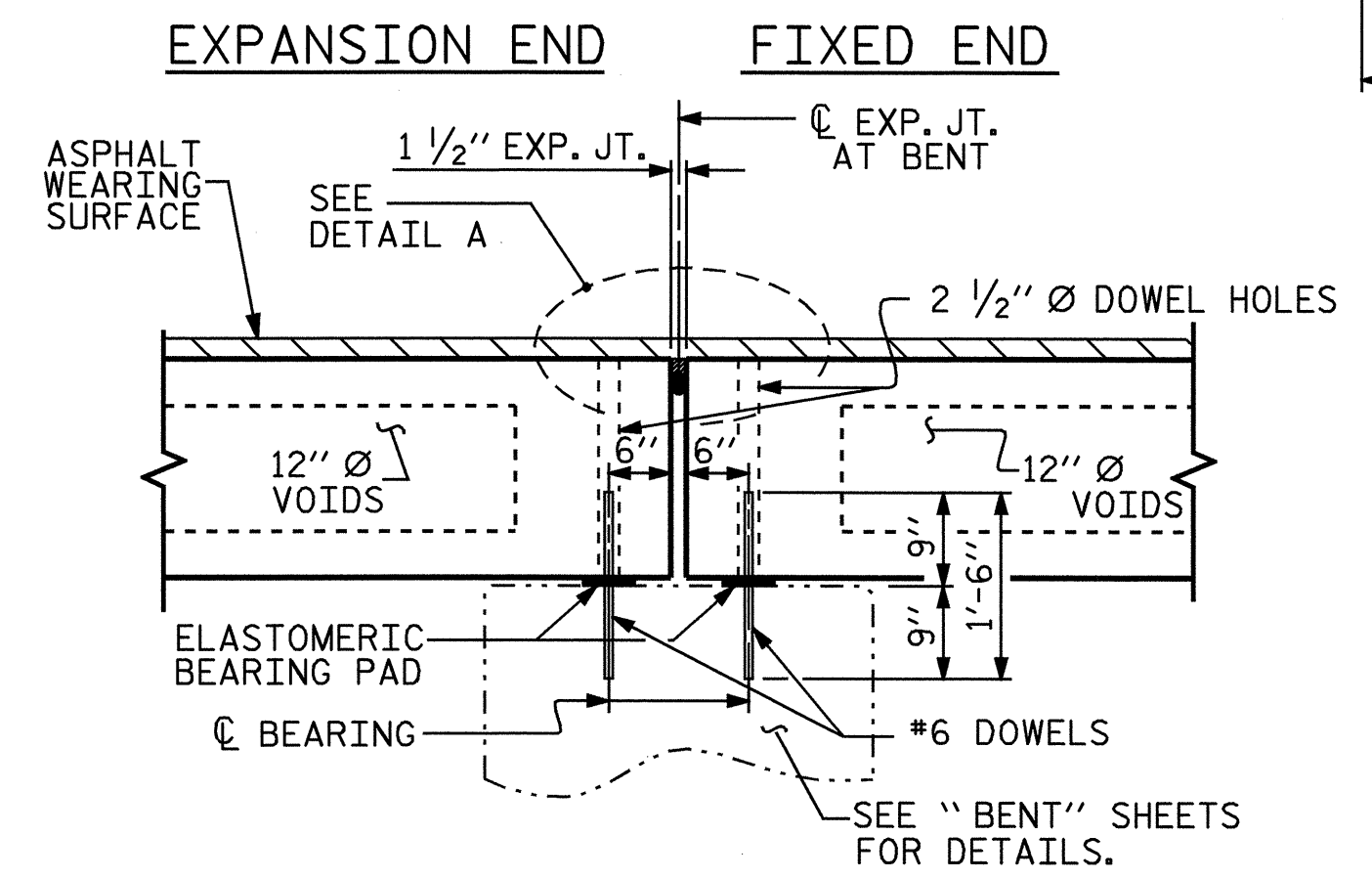
**GROUTED RECESS AT END OF POST-TENSIONED STRAND CORED SLABS**



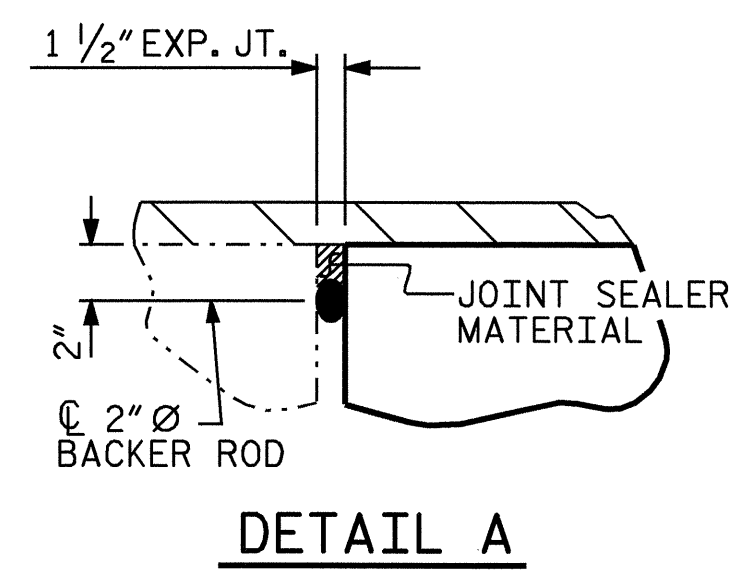
**TYPICAL SECTION**



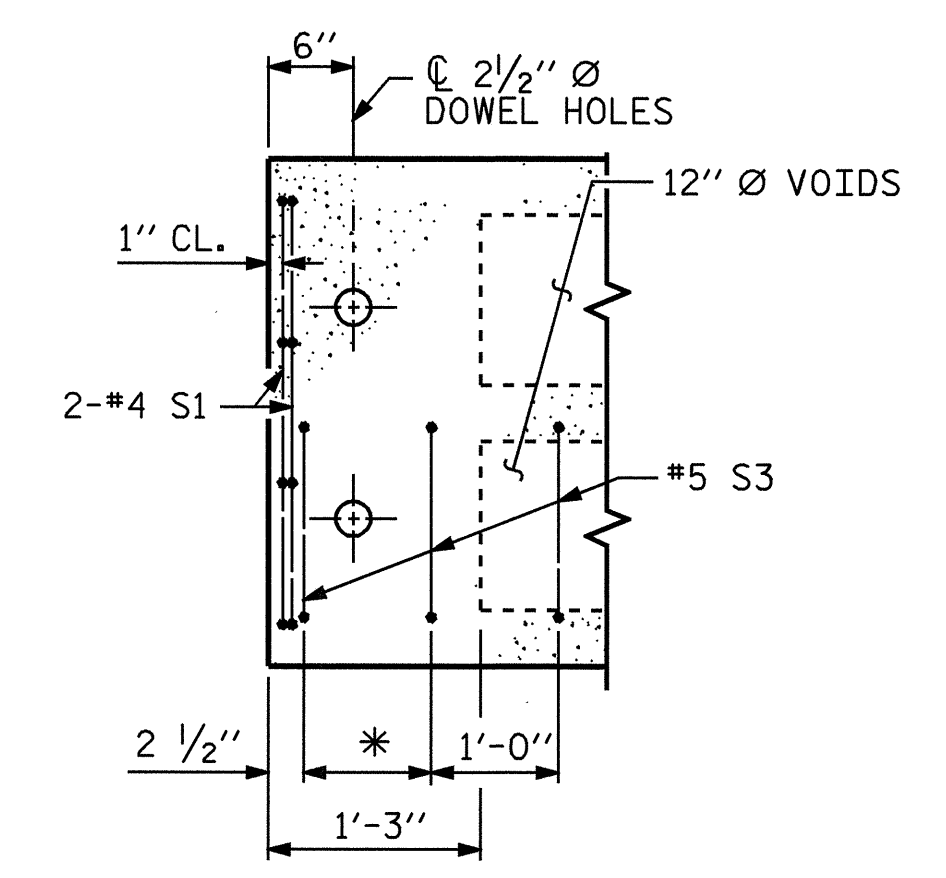
**SECTION AT END BENT**



**SECTION AT BENT**

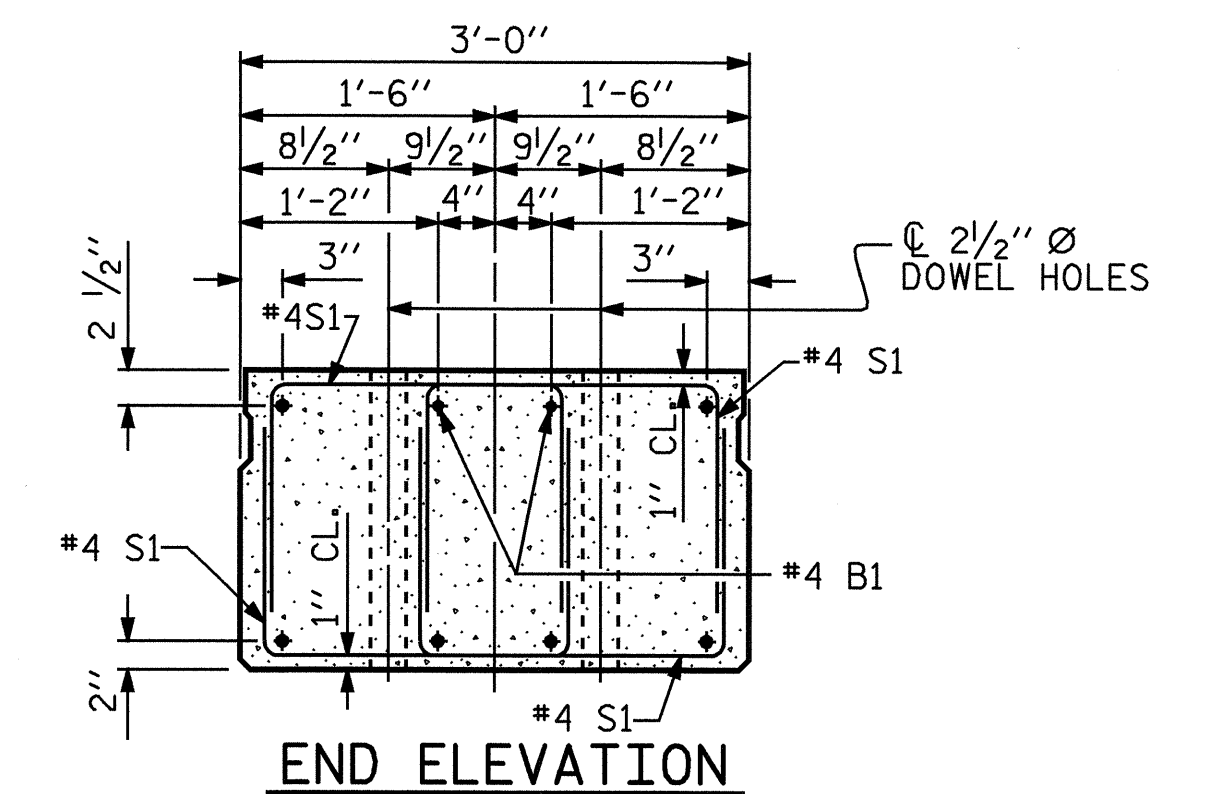


**DETAIL A**



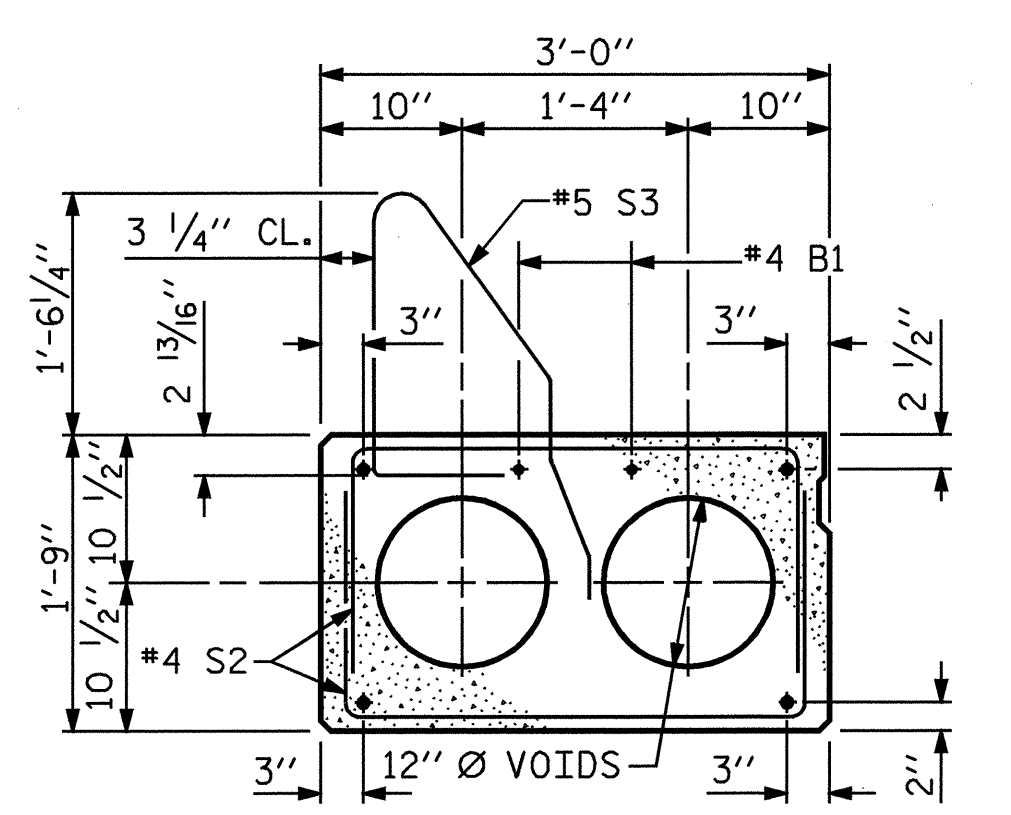
**PART PLAN-EXTERIOR SECTION**

NOTE: EXTERIOR SECTION SHOWN- INTERIOR SECTION SIMILAR EXCEPT OMIT S3 BARS. \*SEE "PLAN OF SPAN" FOR DIMENSION

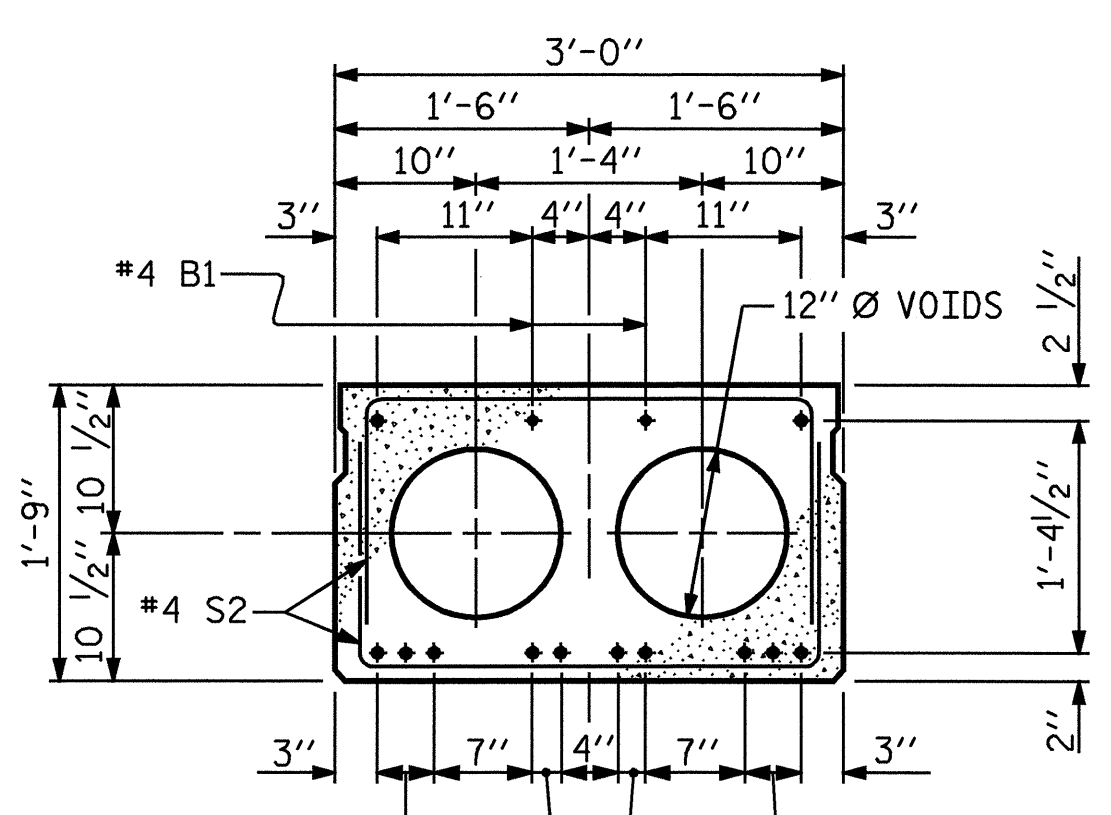


**END ELEVATION**

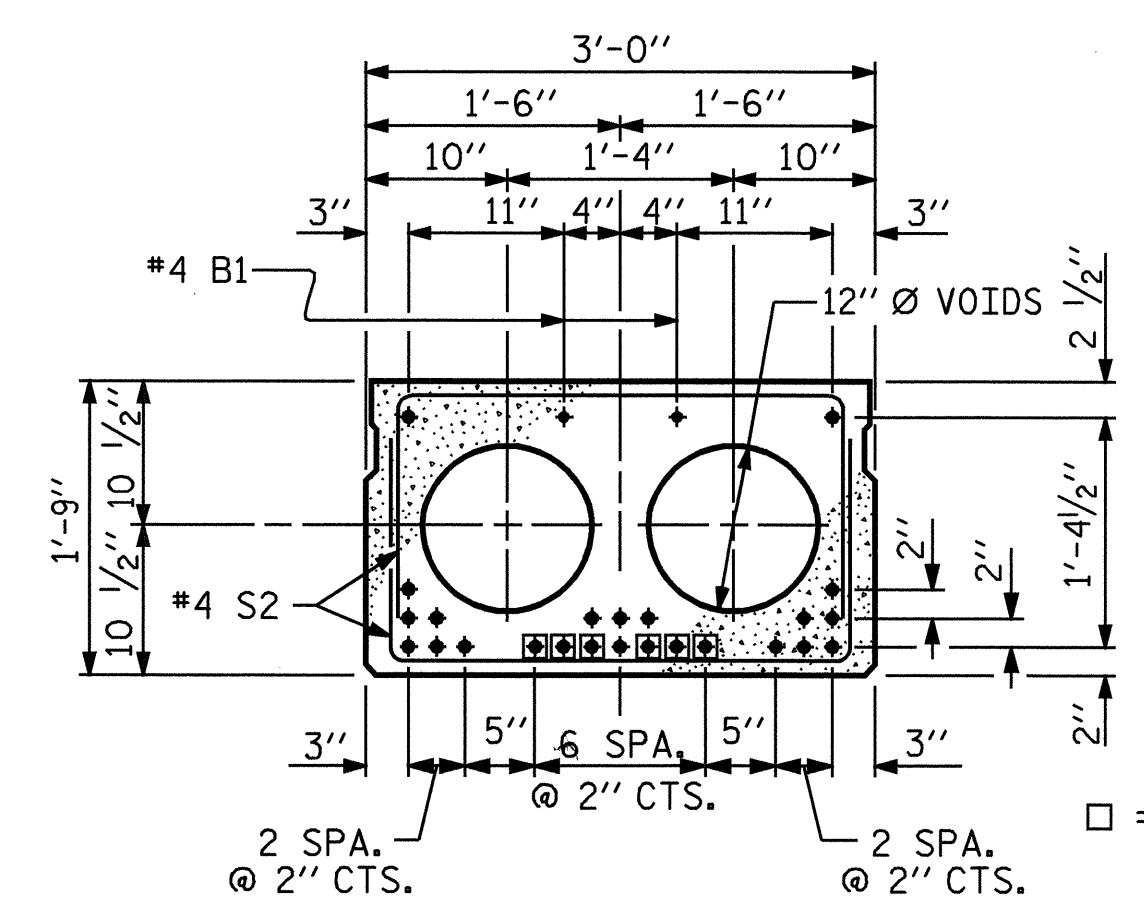
SHOWING PLACEMENT OF DOUBLE STIRRUPS AND LOCATION OF DOWEL HOLES. (STRAND LAYOUT NOT SHOWN.) INTERIOR SLAB SECTION SHOWN-EXTERIOR SLAB SECTION SIMILAR EXCEPT SHEAR KEY LOCATION.



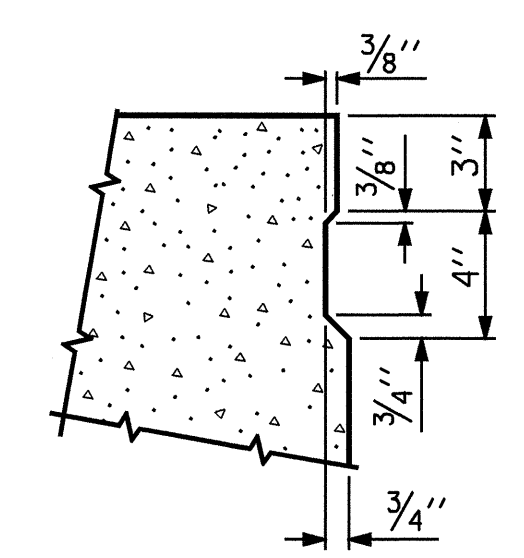
**EXTERIOR SLAB SECTION**  
(FOR PRESTRESSED STRAND LAYOUT, SEE INTERIOR SLAB SECTION.)



**INTERIOR SLAB SECTION**



**INTERIOR SLAB SECTION**



**SHEAR KEY DETAIL**  
NOTE: OMIT SHEAR KEY ON OUTSIDE FACE OF EXTERIOR CORED SLABS.

**1/2 inch diameter LOW RELAXATION STRAND LAYOUT**  
(SPAN A & C)

**1/2 inch diameter LOW RELAXATION STRAND LAYOUT**  
(SPAN B)

ASSEMBLED BY : C.MILLER	DATE : 08-04
CHECKED BY : A.M.KEETER	DATE : 01-05
DRAWN BY : WJH 4/89	REV. 8/16/99 RWW/LES
CHECKED BY : FCJ 5/89	REV. 10/17/00 RWW/LES
	REV. 7/10/01R RWW/LES

10-JUN-2005 08:03  
R:\STRUCT\FINALP\os.dgn  
dhdodge



**PROJECT NO. B-3666**  
**HENDERSON COUNTY**  
**STATION: 16+25.50 -L-**

SHEET 1 OF 4

STATE OF NORTH CAROLINA DEPARTMENT OF TRANSPORTATION RALEIGH					
<b>SUPERSTRUCTURE</b> <b>3'-0" X 1'-9"</b> <b>PRESTRESSED CONCRETE</b> <b>CORED SLAB UNIT</b>					
REVISIONS					
NO.	BY:	DATE:	NO.	BY:	DATE:
1			3		
2			4		
					SHEET NO. S-4 TOTAL SHEETS 21

STD. No. PCS2