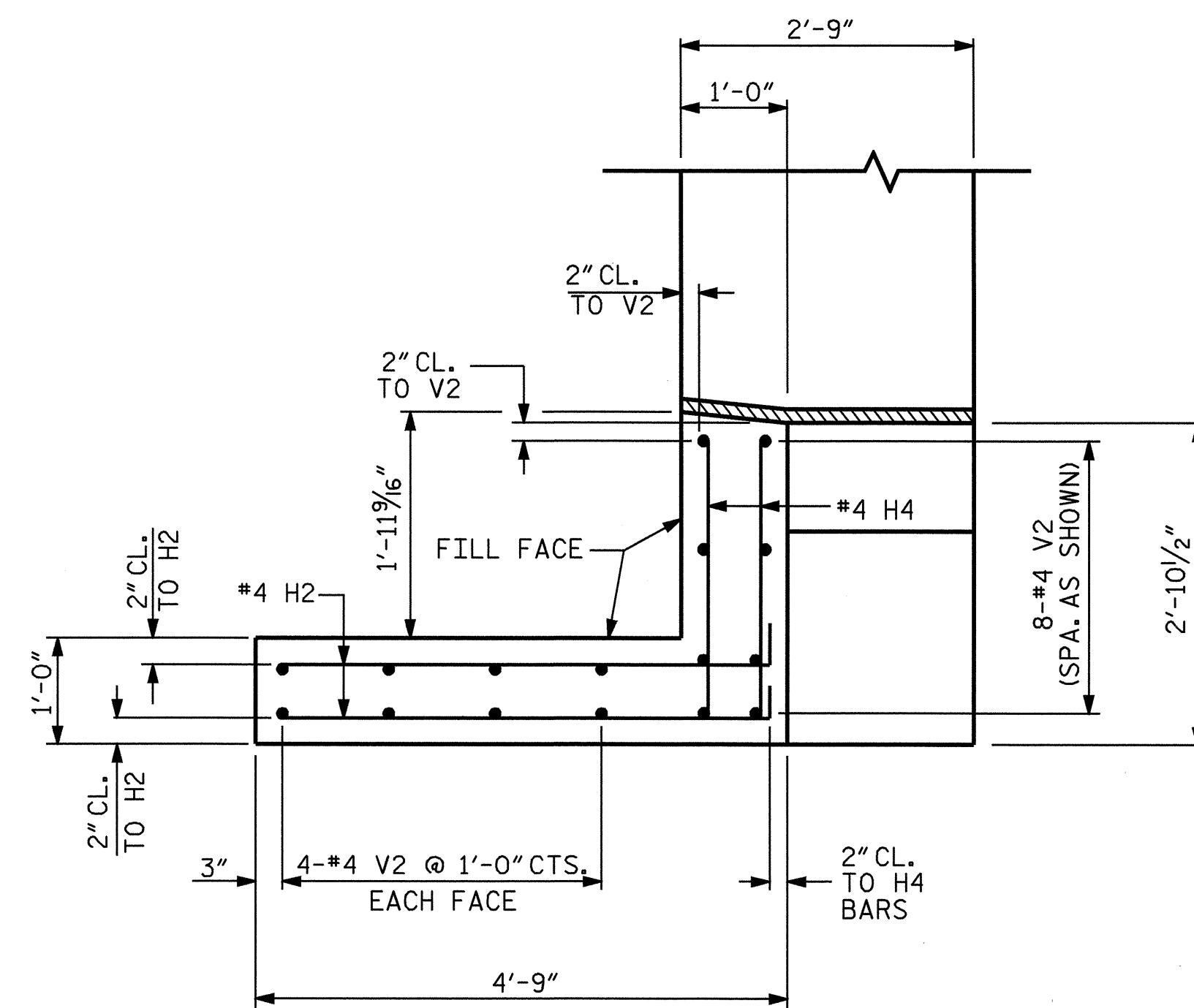
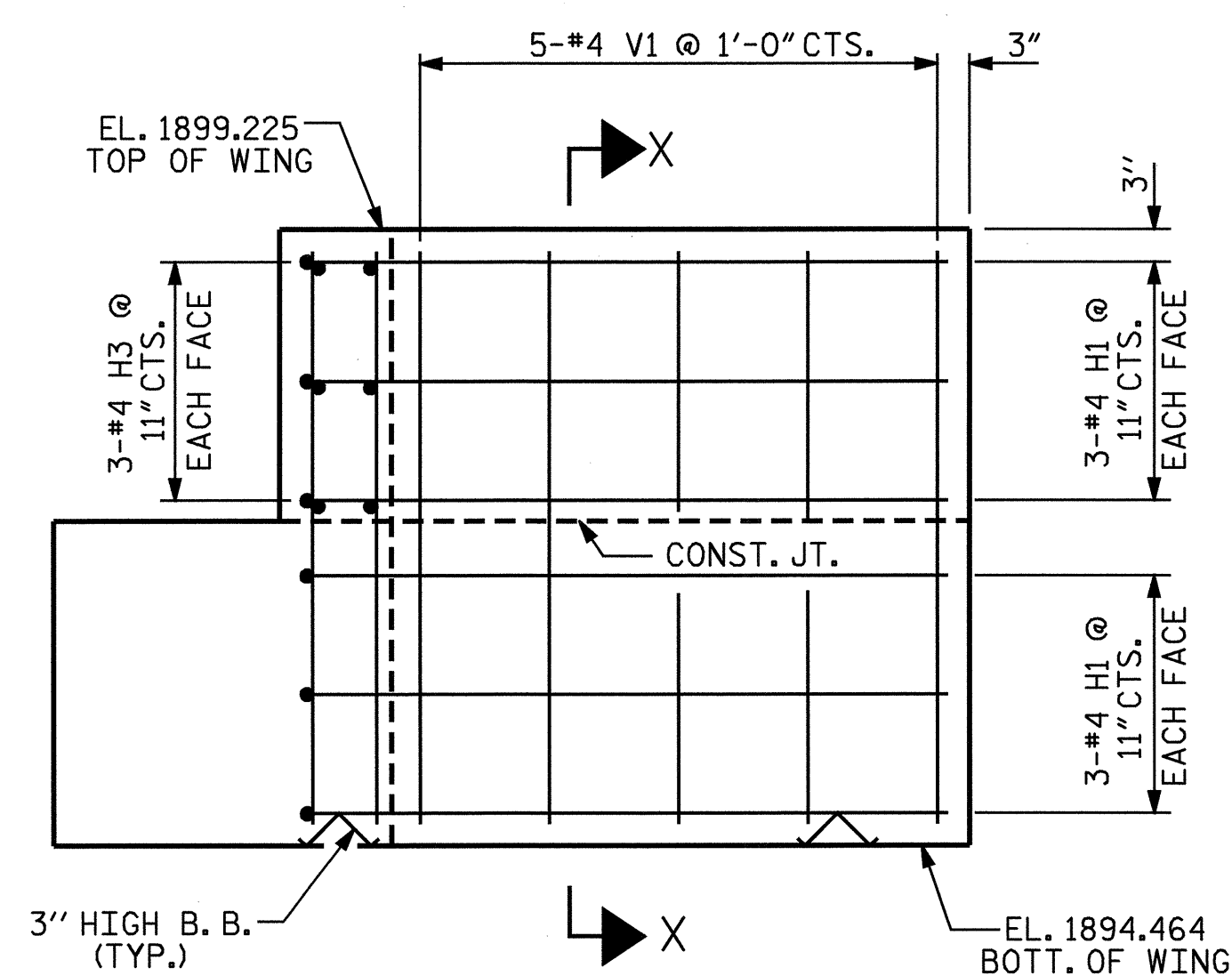


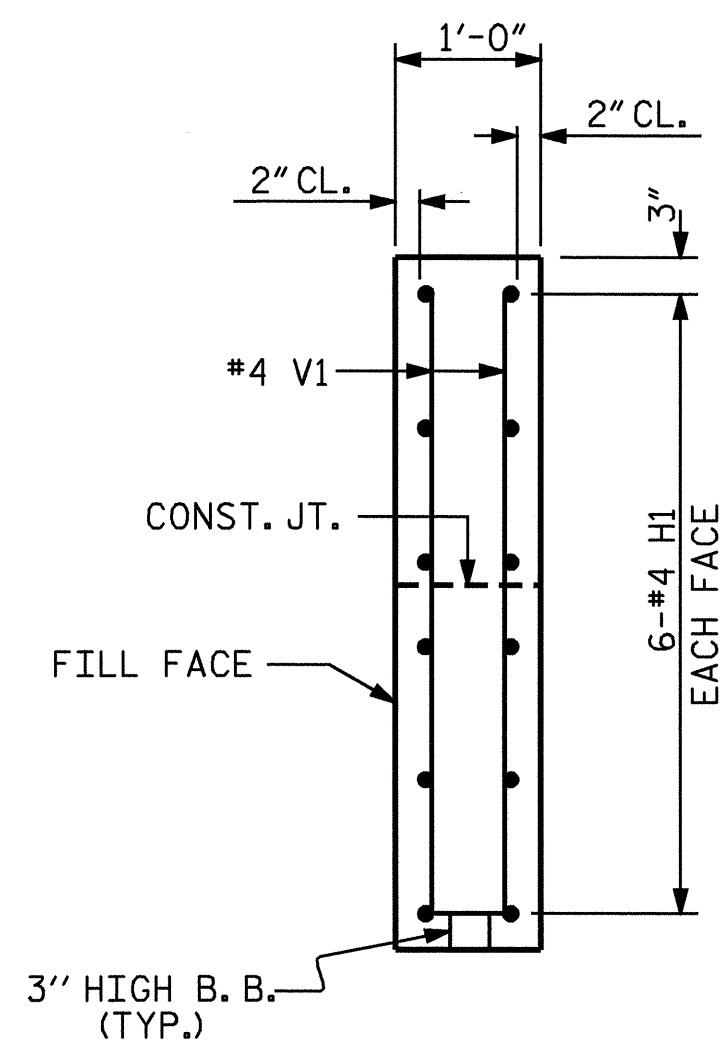
PLAN OF WING W1



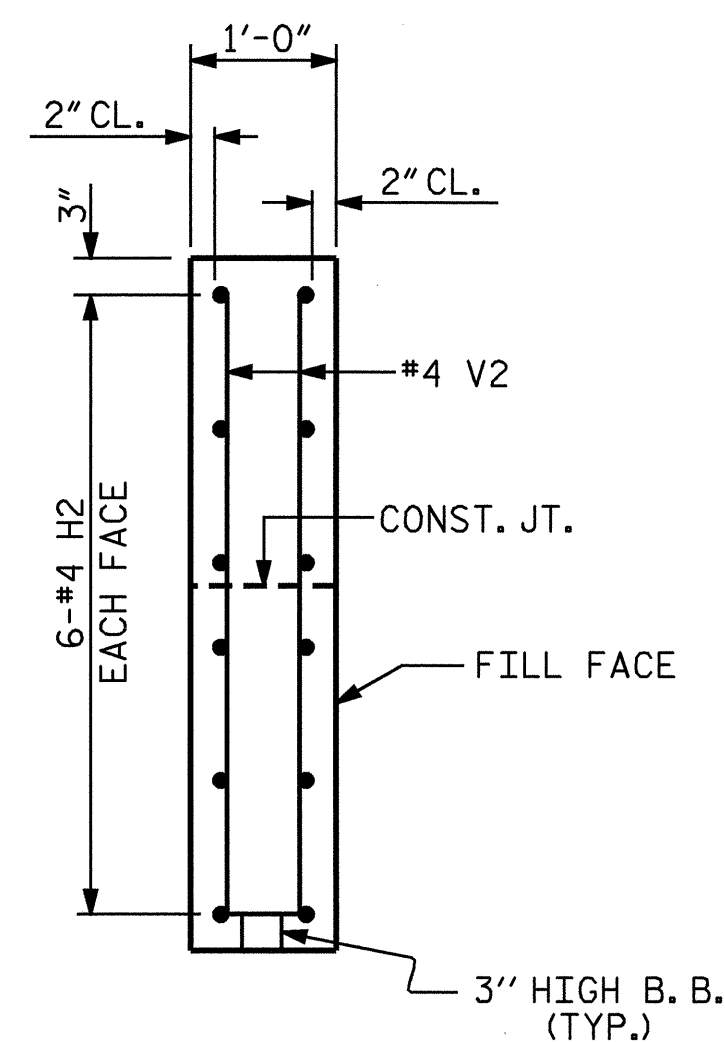
PLAN OF WING W2



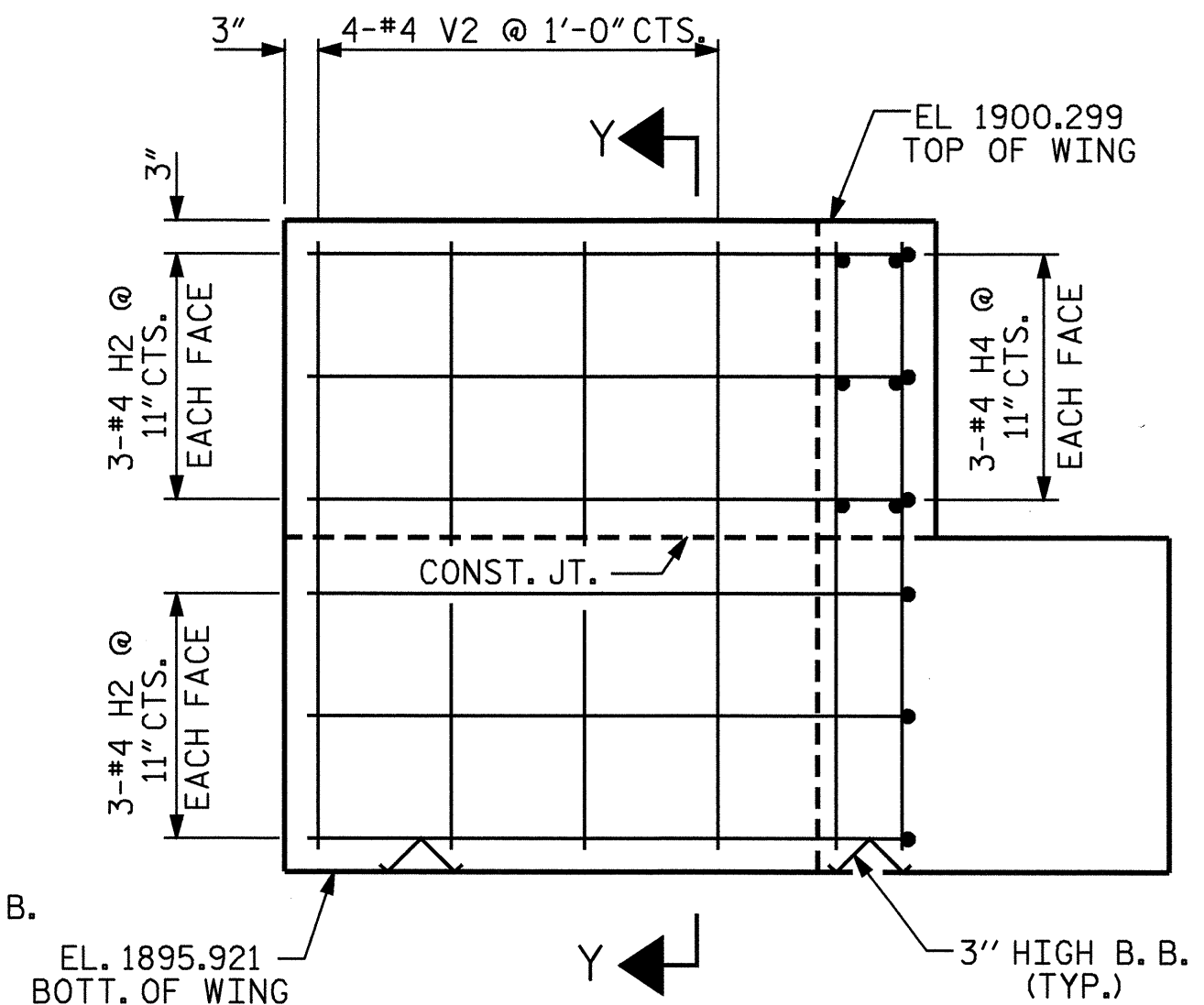
ELEVATION OF WING W1



SECTION X-X



SECTION Y-Y



ELEVATION OF WING W2

PROJECT NO. B-3666
HENDERSON COUNTY
 STATION: 16+25.50 -L-

SHEET 2 OF 3

STATE OF NORTH CAROLINA
 DEPARTMENT OF TRANSPORTATION
 RALEIGH

SUBSTRUCTURE
 END BENT #1



DRAWN BY : QT NGUYEN/CRY DATE : 12-04
 CHECKED BY : LL MURPHY DATE : 02/05

07-JUN-2005 09:29
 R:\STRUCT\FINALP\B3666E.sd.E1.01.dgn
 dahodge

REVISIONS						SHEET NO.	
NO.	BY:	DATE:	NO.	BY:	DATE:	S-9	
1			3			TOTAL SHEETS	21
2			4				