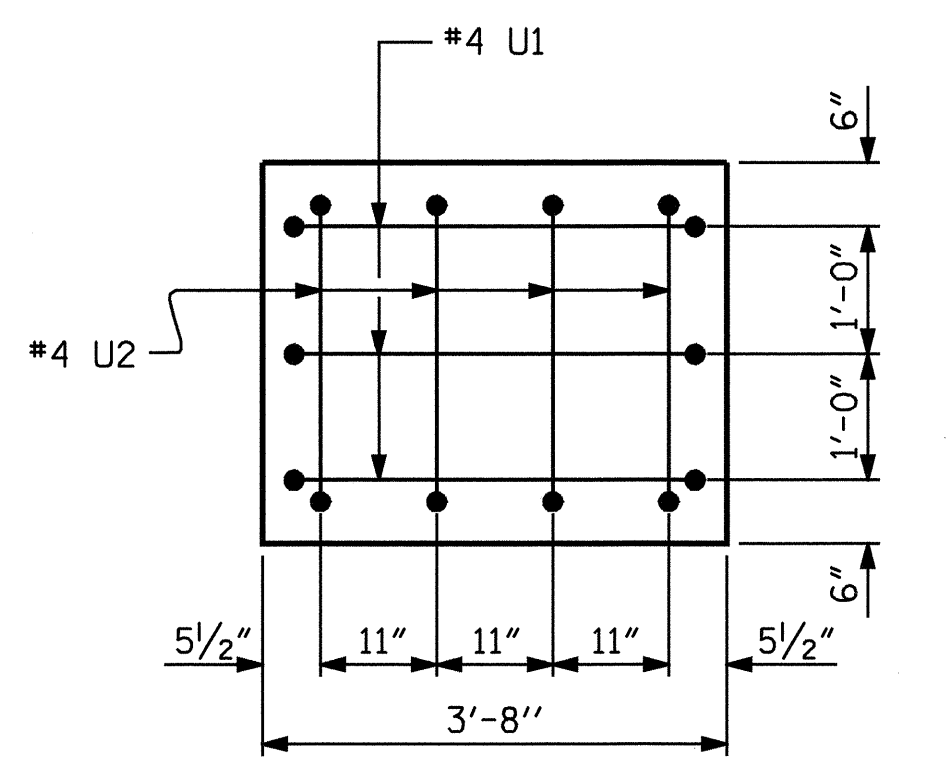
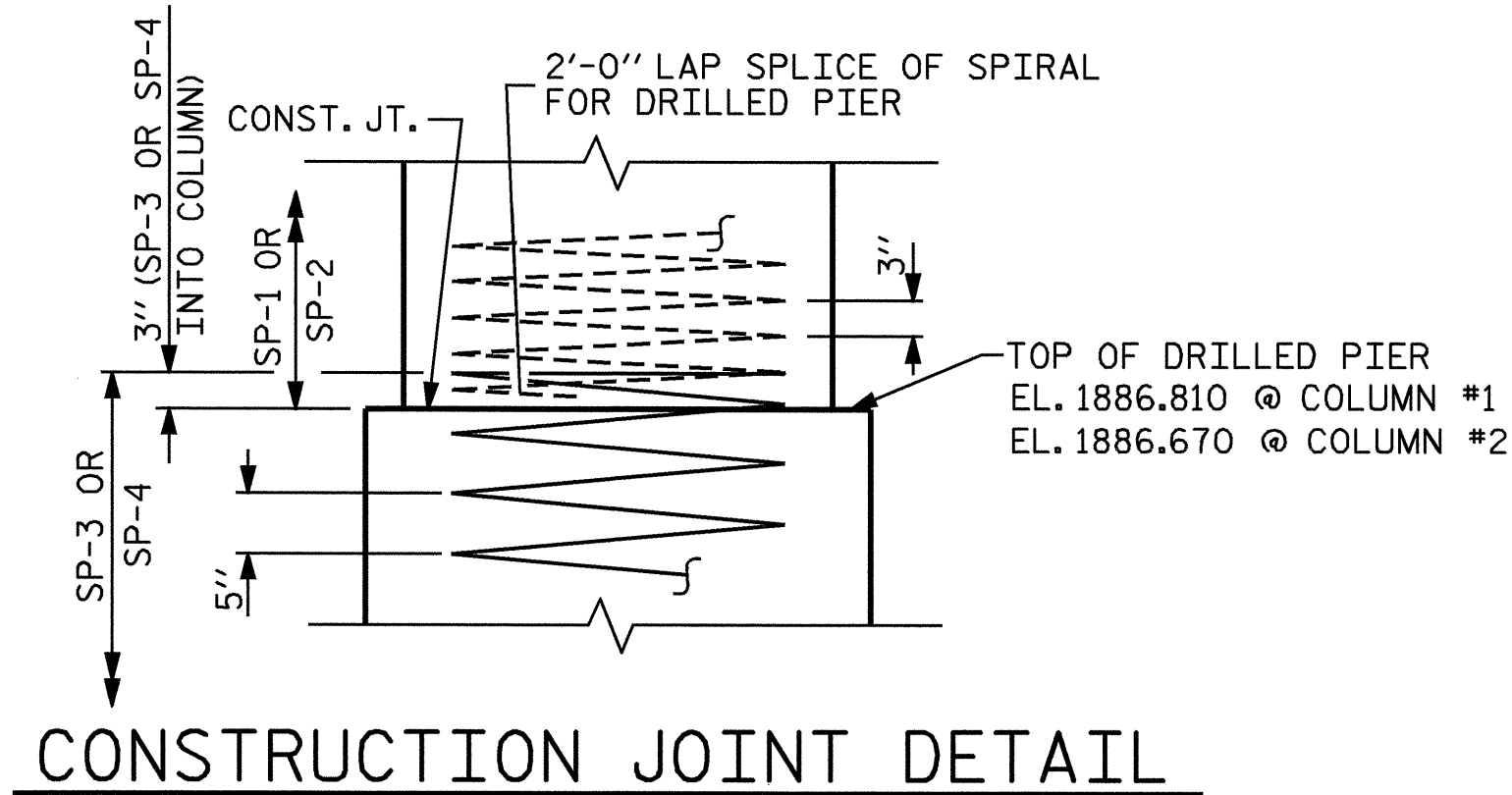


SECTION A-A

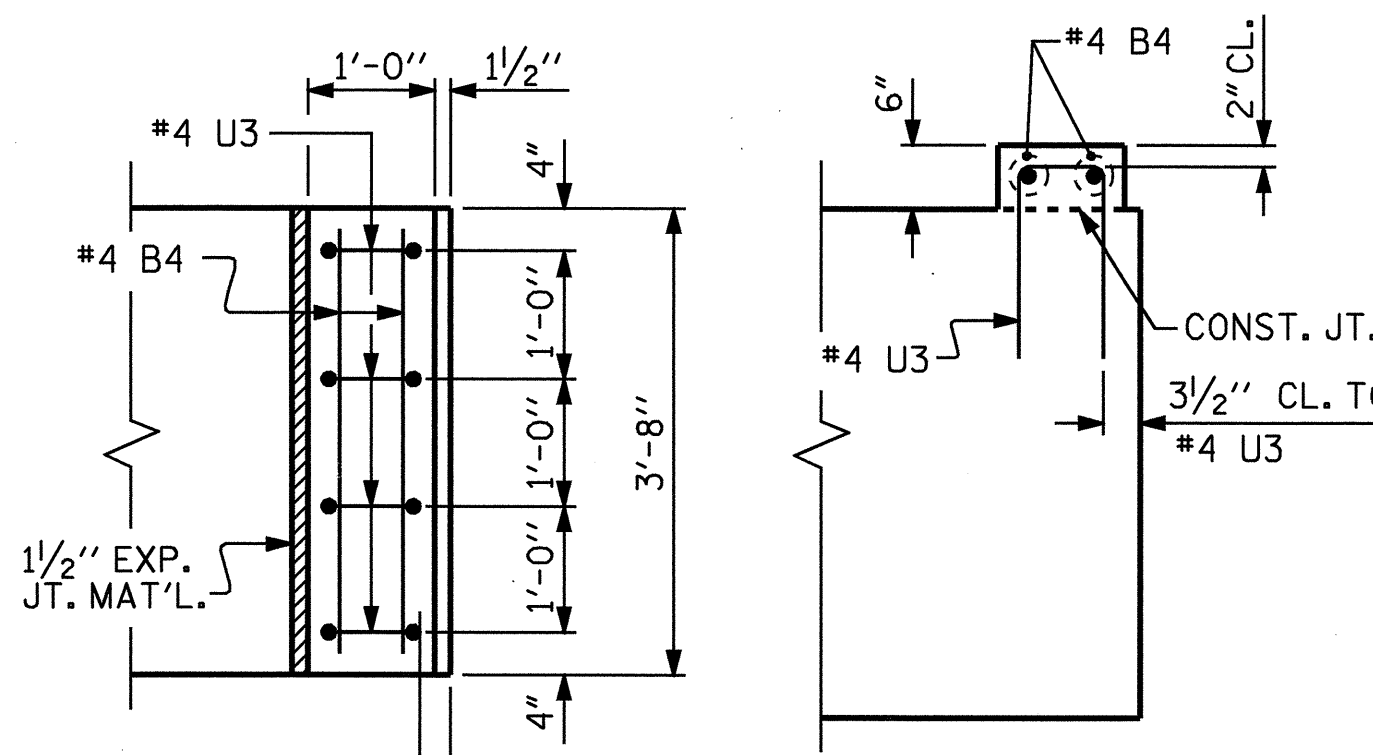


END OF CAP DETAIL

(TYP. EACH END)



CONSTRUCTION JOINT DETAIL



PLAN

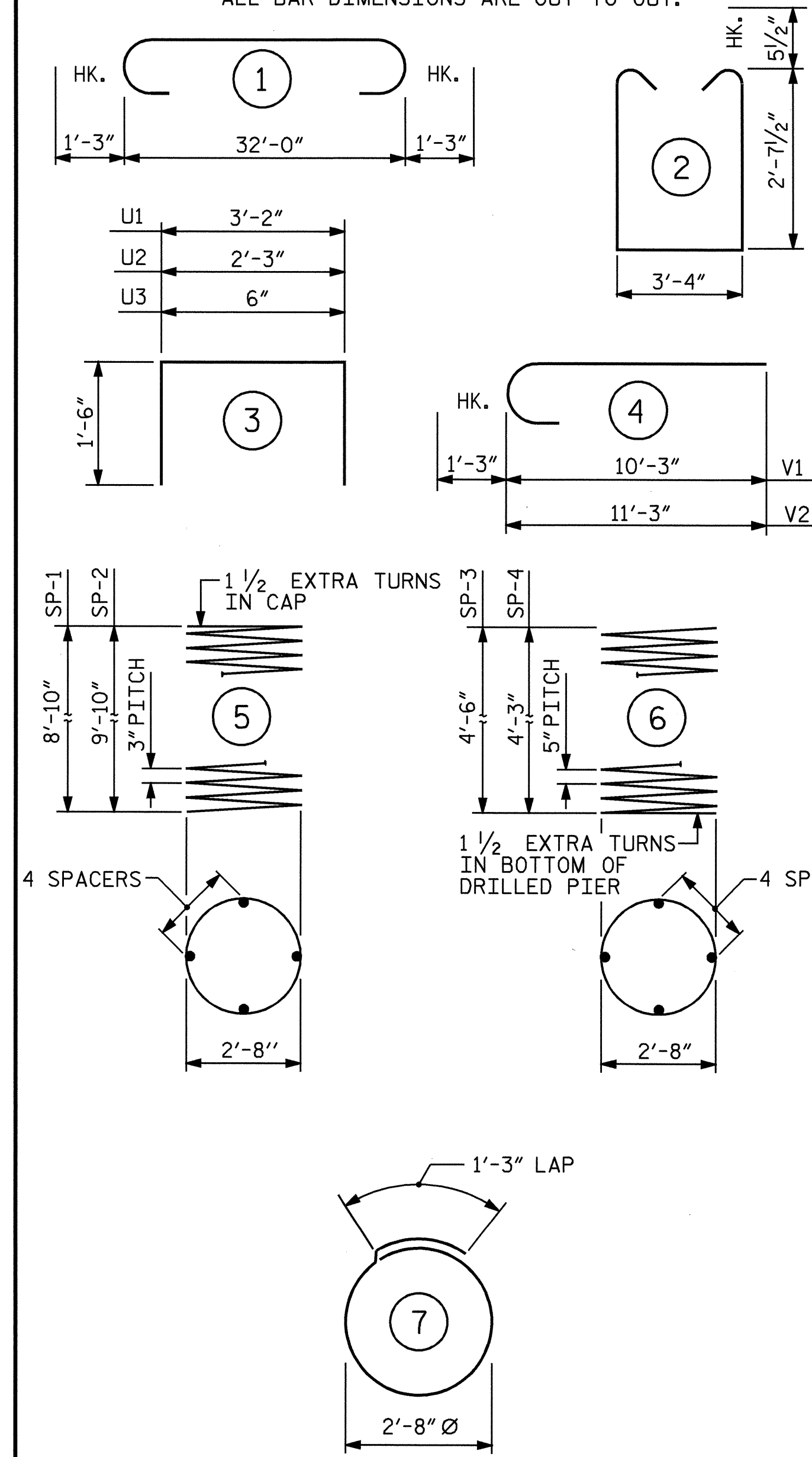
ELEVATION

LATERAL GUIDE REINFORCING DETAIL

(EACH END SIMILAR)

BAR TYPES

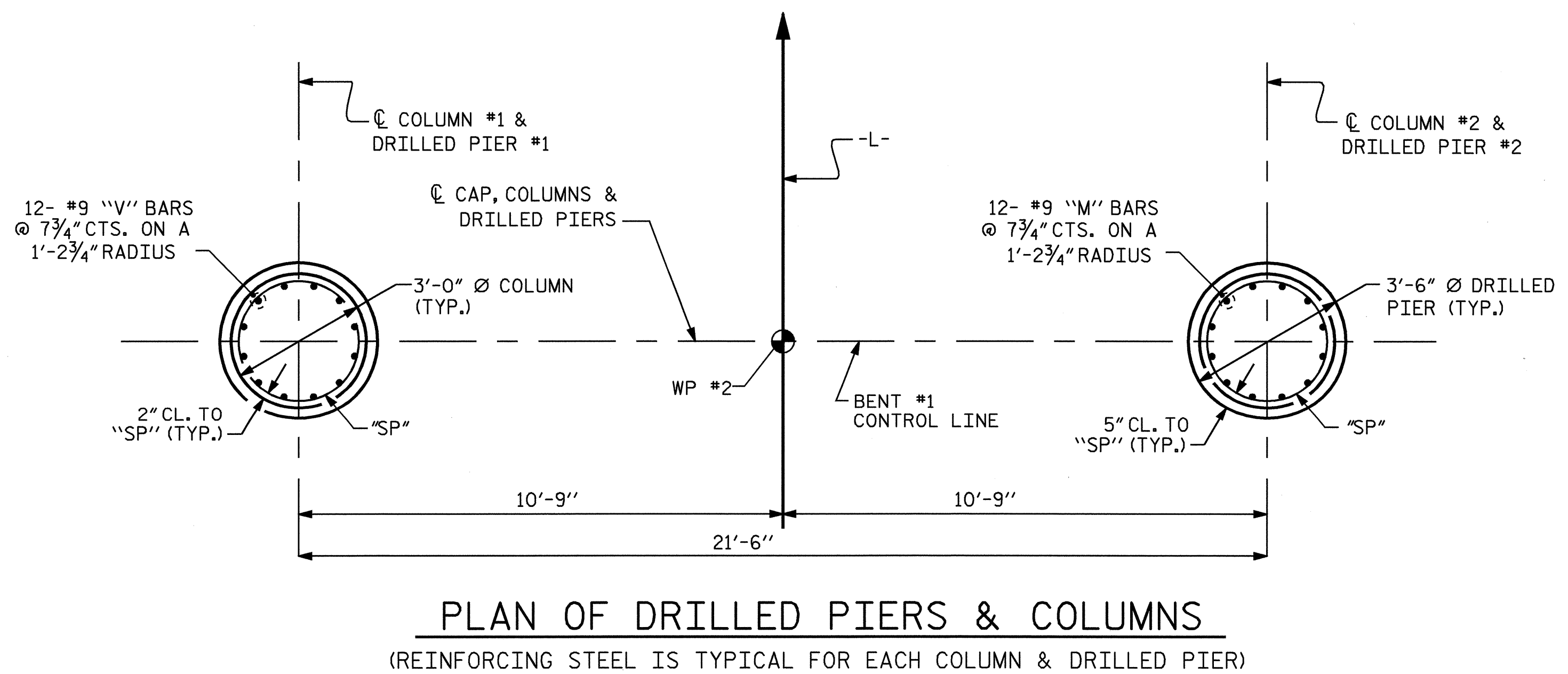
ALL BAR DIMENSIONS ARE OUT TO OUT.



BILL OF MATERIAL

BENT 1					
BAR	NO.	SIZE	TYPE	LENGTH	WEIGHT
B1	5	#9	1	34'-6"	587
B2	5	#9	STR	32'-2"	547
B3	4	#5	STR	32'-2"	134
B4	4	#4	STR	3'-4"	9
D1	40	#6	STR	1'-6"	90
M1	12	#9	STR	12'-3"	500
M2	12	#9	STR	12'-0"	490
S1	31	#5	2	9'-6"	307
S2	10	#4	7	9'-8"	65
U1	6	#4	3	6'-2"	25
U2	8	#4	3	5'-3"	28
U3	8	#4	3	3'-6"	19
V1	12	#9	4	11'-6"	469
V2	12	#9	4	12'-6"	510
REINFORCING STEEL				3780	LBS.
SP-1	1	*	5	303'-3"	203
SP-2	1	*	5	336'-3"	225
SP-3	1	**	6	102'-10"	107
SP-4	1	**	6	96'-8"	101
TOTAL SPIRAL COLUMN REINFORCING STEEL				636	LBS.
CLASS A CONCRETE					
POUR #2 (COLUMNS)				4.7	C.Y.
POUR #3 (CAP)				13.2	C.Y.
POUR #4 (LATERAL GUIDES)				0.1	C.Y.
TOTAL				18.0	C.Y.
DRILLED PIER QUANTITIES					
DRILLED PIER CONCRETE					
POUR #1 (DRILLED PIERS)				3.5	C.Y.
3'-6" Ø DRILLED PIERS NOT IN SOIL				4.5	L.F.
3'-6" Ø DRILLED PIERS IN SOIL				5.25	L.F.
PERMANENT STEEL CASING FOR 3'-6" Ø DRILLED PIERS				3.48	L.F.
SPT TESTING				2	EA.
SID INSPECTION				1	EA.
CROSSHOLE SONIC LOGGING				1	EA.
CSL TUBES				59.00	L.F.

* THE SP-1 & SP-2 SPIRAL REINFORCING STEEL SHALL BE W20 OR D-20 COLD DRAWN WIRE OR #4 PLAIN OR DEFORMED BAR.
 ** THE SP-2 & SP-3 SPIRAL REINFORCING STEEL SHALL BE W31 OR D-31 COLD DRAWN WIRE OR #5 PLAIN OR DEFORMED BAR.



PLAN OF DRILLED PIERS & COLUMNS

(REINFORCING STEEL IS TYPICAL FOR EACH COLUMN & DRILLED PIER)

DRAWN BY: A.S. CALLAWAY DATE: 1/27/05
 CHECKED BY: MG CHEEK DATE: 03/05

07-JUN-2005 09:31
 R:\STRUCT\FINAL\B-3666.sd.B*.dgn
 dahodge



PROJECT NO. B-3666
 HENDERSON COUNTY
 STATION: 16+25.50 -L-

SHEET 2 OF 2

REVISIONS						SHEET NO.
NO.	BY:	DATE:	NO.	BY:	DATE:	S-12
1			3			TOTAL SHEETS 21
2			4			