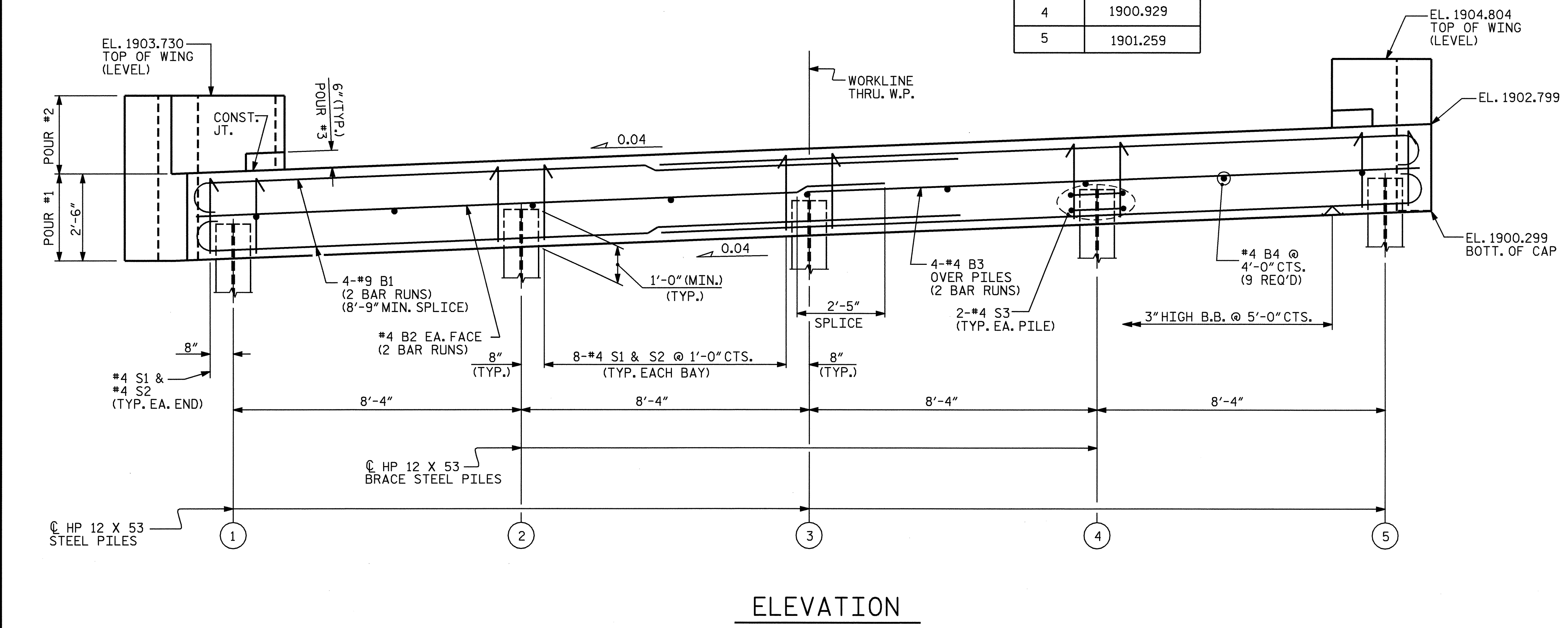
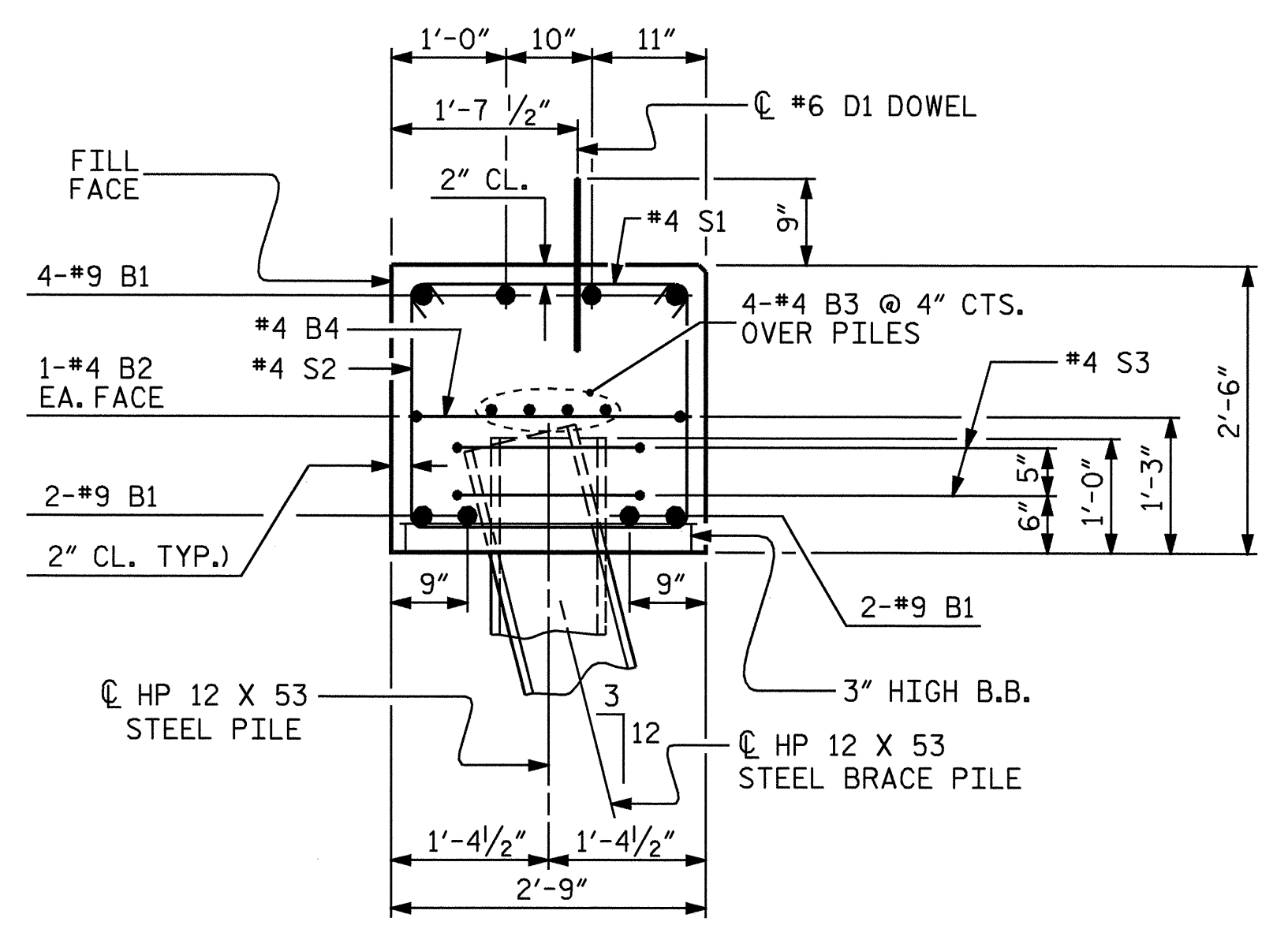


PLAN

TOP OF PILE ELEVATIONS	
PILE	ELEVATION
1	1899.939
2	1900.269
3	1900.599
4	1900.929
5	1901.259



ELEVATION



SECTION THRU CAP

NOTES:
 STIRRUPS IN CAP MAY BE SHIFTED AS NECESSARY TO CLEAR DOWELS.
 FOR PILE SPLICE DETAILS, SEE SHEET 3 OF 3.
 THE CONTRACTOR SHALL PROVIDE FOR INSTALLATION OF THE 4" DIAMETER DRAIN PIPE THROUGH THE WING WALL AS REQUIRED FOR REINFORCED BRIDGE APPROACH FILLS, SEE THE ROADWAY PLANS. REINFORCING STEEL IN THE WING WALL MAY BE SHIFTED AS NECESSARY TO CLEAR THE DRAIN PIPE.
 THE LATERAL GUIDES AT EACH END OF THE CAP SHALL NOT BE POURED UNTIL AFTER CORED SLAB UNITS ARE IN PLACE.

PROJECT NO. B-3666
HENDERSON COUNTY
 STATION: 16+25.50 -L-

SHEET 1 OF 3

STATE OF NORTH CAROLINA
 DEPARTMENT OF TRANSPORTATION
 RALEIGH

SUBSTRUCTURE
 END BENT #2

REVISIONS						SHEET NO.	
NO.	BY:	DATE:	NO.	BY:	DATE:	S-15	
1			3			TOTAL SHEETS 21	
2			4				



DRAWN BY : QT NGUYEN/CRY DATE : 12-04
 CHECKED BY : LL MURPHY DATE : 02/05