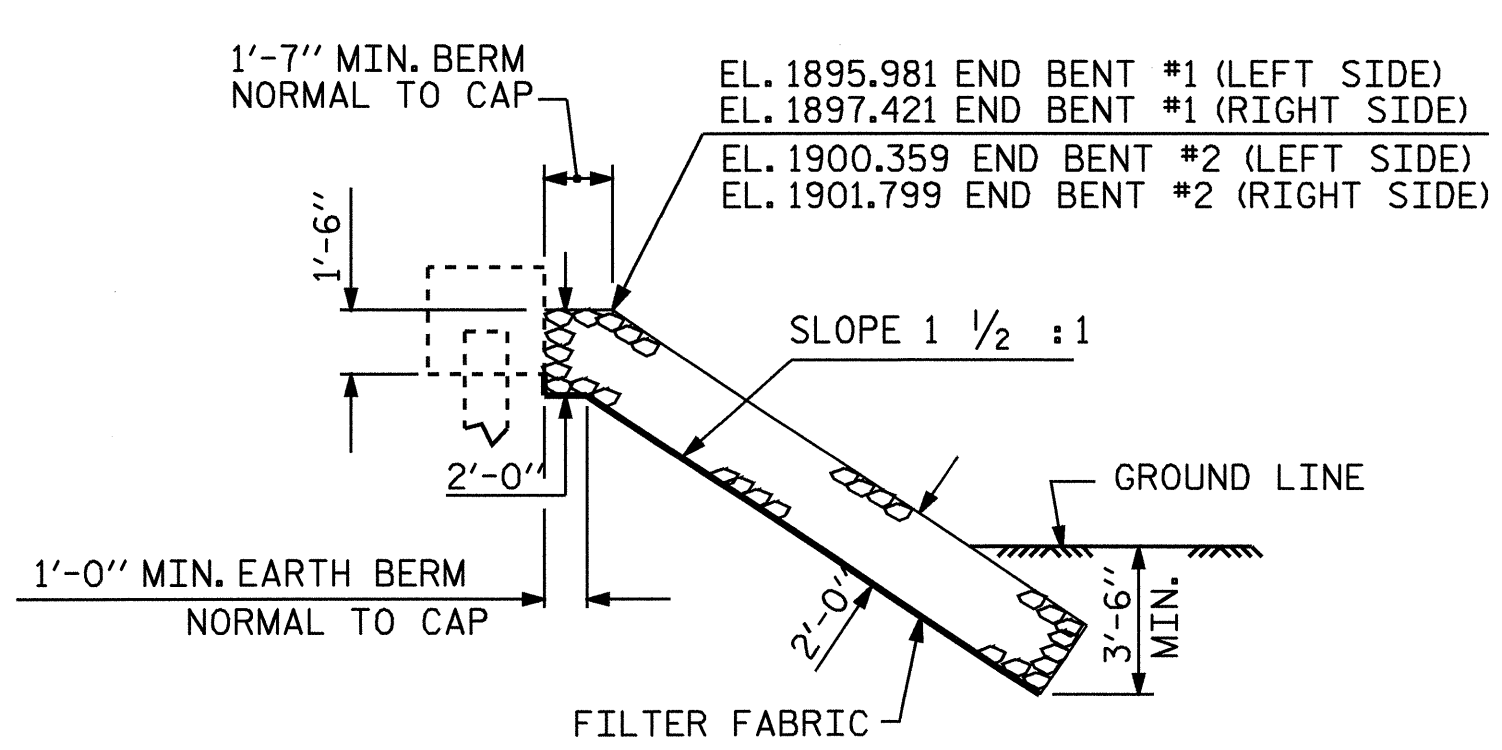
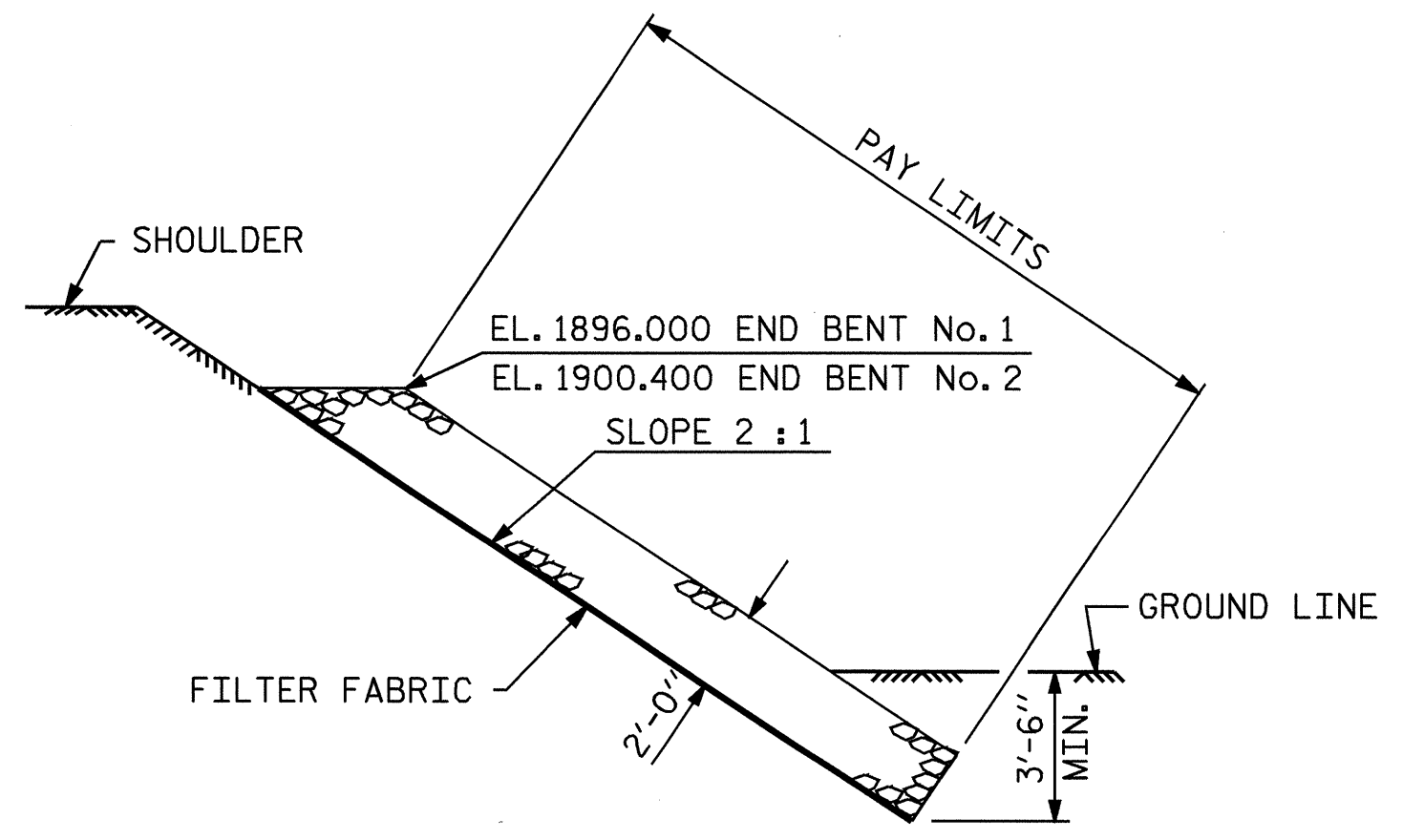


**BERM RIP RAPPED**

ESTIMATED QUANTITIES		
BRIDGE @ STA. 16+25.50 -L-	PLAIN RIP RAP CLASS II	FILTER FABRIC FOR DRAINAGE
	TONS	SQUARE YARDS
END BENT 1	105	120
END BENT 2	170	190



**SECTION C-C  
BERM RIP RAPPED**



**SECTION C-C**

PROJECT NO. B-3666  
HENDERSON COUNTY  
 STATION: 16+25.50 -L-

STATE OF NORTH CAROLINA  
 DEPARTMENT OF TRANSPORTATION  
 RALEIGH  
 STANDARD  
 RIP RAP DETAILS



ASSEMBLED BY : D. HODGE	DATE : 2/05
CHECKED BY : J. HARRIS	DATE : 2/05
DRAWN BY : FCJ 2/88	REV. 7/17/98 REK/RWW
CHECKED BY : ARB 8/88	REV. 8/16/99 RWW/LES
	REV. 10/17/00 RWW/LES

REVISIONS						SHEET NO.
NO.	BY:	DATE:	NO.	BY:	DATE:	S-18
1			3			TOTAL SHEETS
2			4			21

07-JUN-2005 09:32  
 RA:\STRUCT\FINALP\B3666.ed.RR.dgn  
 dahodge