

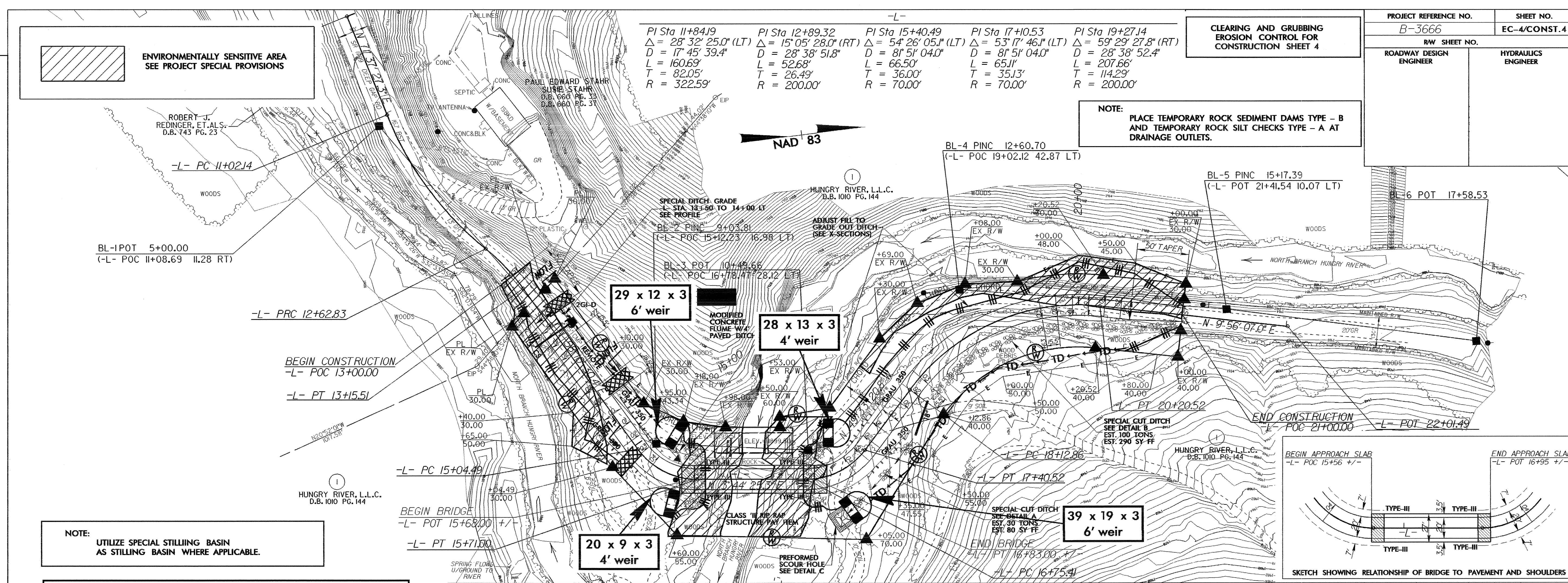
PROJECT REFERENCE NO.	SHEET NO.
B-3666	EC-4/CONST.4
RW SHEET NO.	
ROADWAY DESIGN ENGINEER	HYDRAULICS ENGINEER

**CLEARING AND GRUBBING
EROSION CONTROL FOR
CONSTRUCTION SHEET 4**

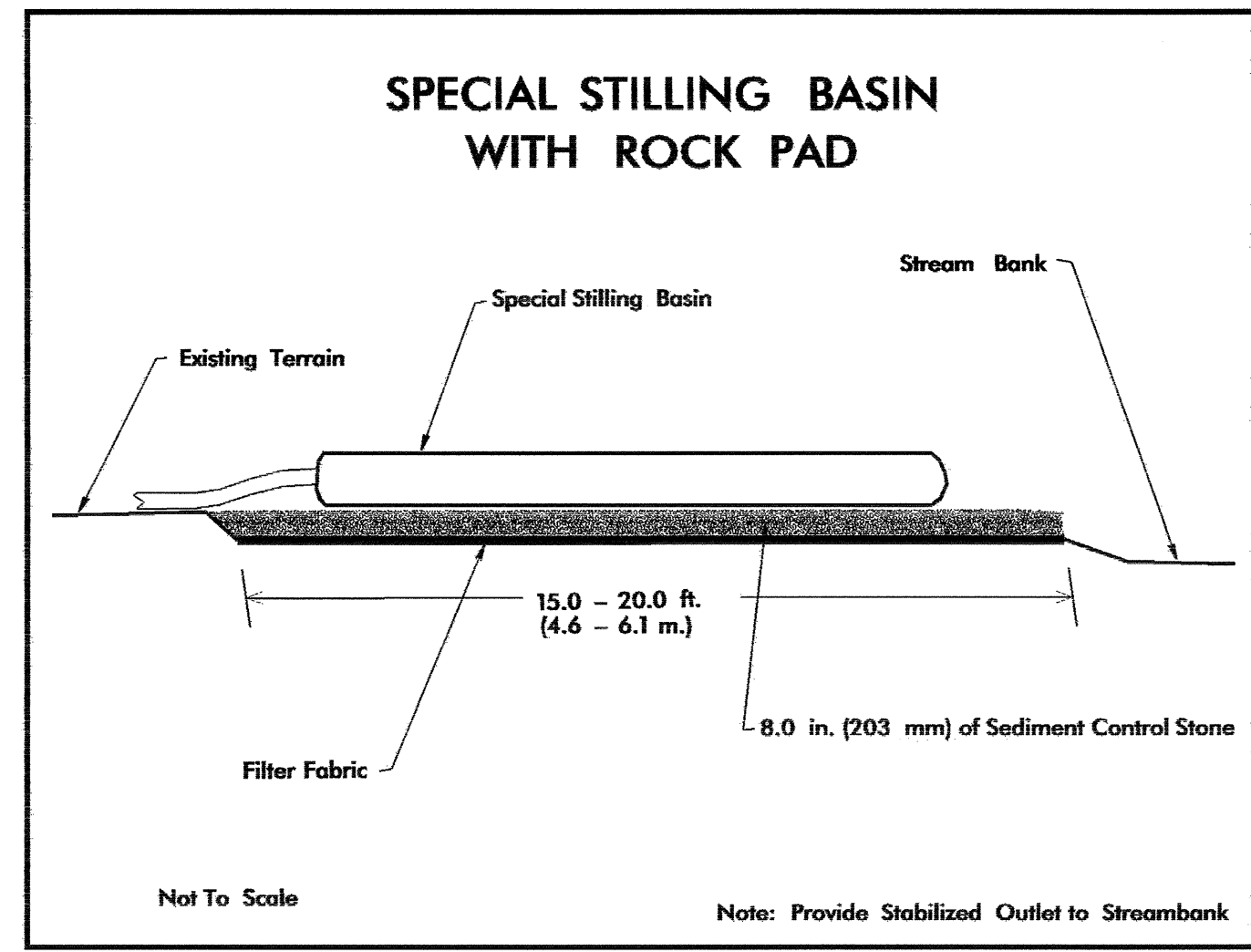
NOTE:
PLACE TEMPORARY ROCK SEDIMENT DAMS - B
AND TEMPORARY ROCK SILT CHECKS TYPE - A AT
DRAINAGE OUTLETS.

**ENVIRONMENTALLY SENSITIVE AREA
SEE PROJECT SPECIAL PROVISIONS**

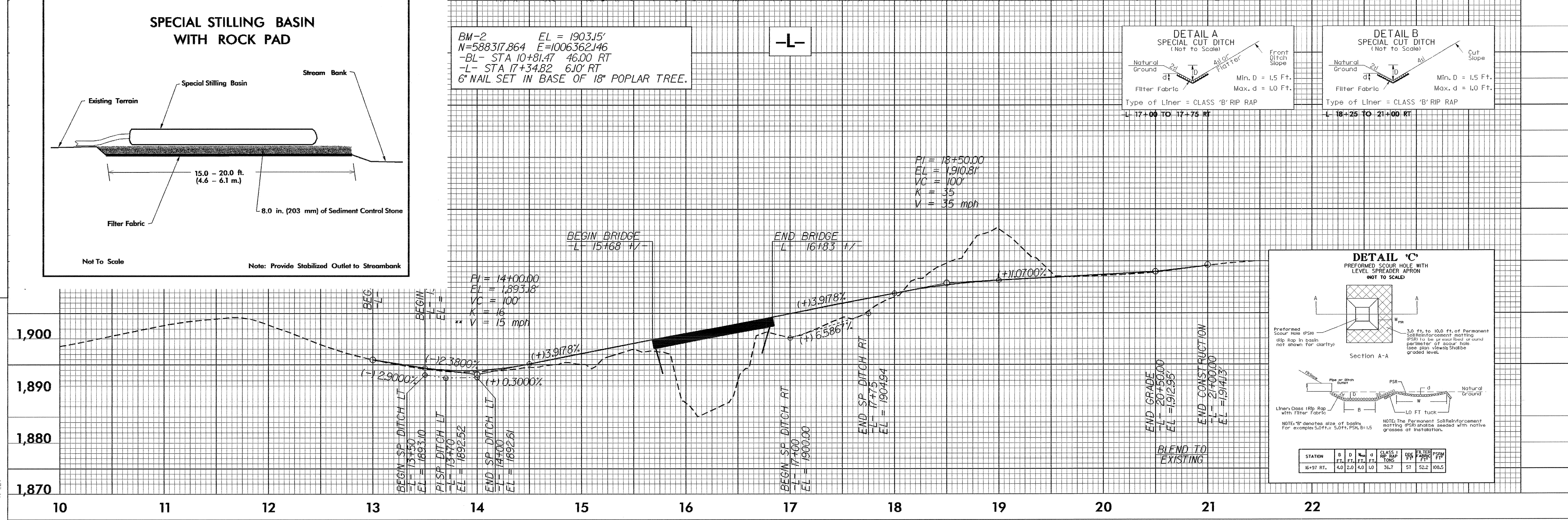
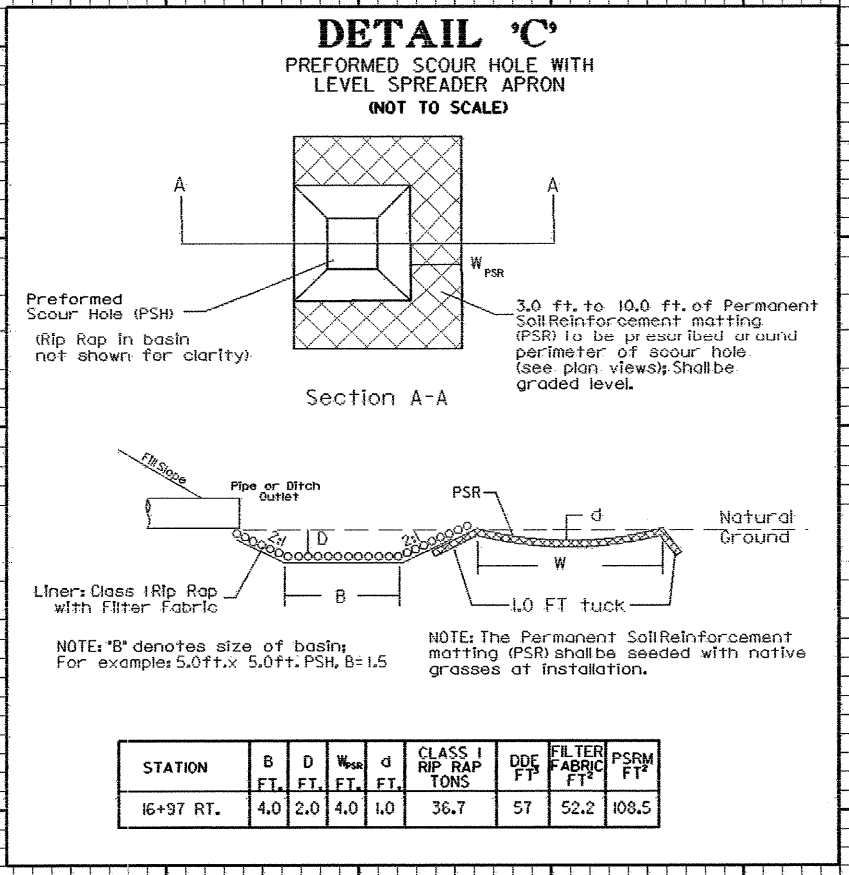
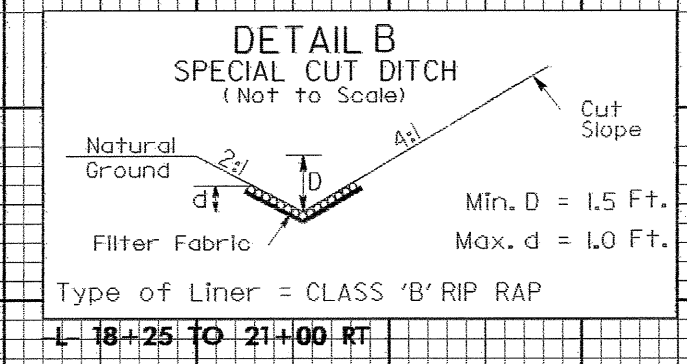
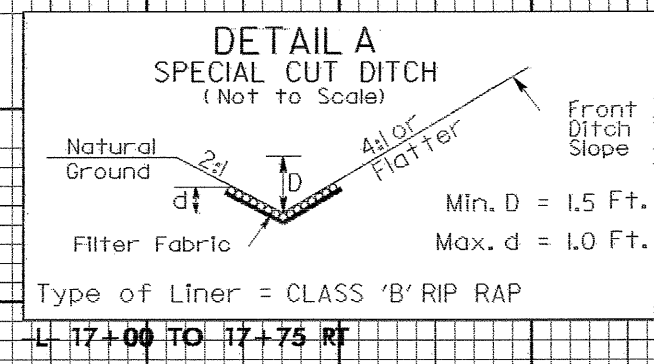
PI Sta 11+84.19 Δ = 28° 32' 25.0" (LT) D = 17' 45" 39.4" L = 160.69' T = 82.05' R = 322.59'	PI Sta 12+89.32 Δ = 15° 05' 28.0" (RT) D = 28' 38" 51.8" L = 52.68' T = 26.49' R = 200.00'	PI Sta 15+40.49 Δ = 54° 26' 05.1" (LT) D = 8' 51" 04.0" L = 66.50' T = 36.00' R = 70.00'	PI Sta 17+10.53 Δ = 53° 17' 46.1" (LT) D = 8' 51" 04.0" L = 65.11' T = 35.13' R = 70.00'	PI Sta 19+27.14 Δ = 59° 29' 27.8" (RT) D = 28' 38" 52.4" L = 207.66' T = 114.29' R = 200.00'
--	---	---	---	---



NOTE:
UTILIZE SPECIAL STILLING BASIN
AS STILLING BASIN WHERE APPLICABLE.



BM-2 EL = 1903.15'
N=588317.864 E=1006362.146
-BL- STA 10+81.47 46.00 RT
-L- STA 17+34.82 610' RT
6" NAIL SET IN BASE OF 18" POPLAR TREE.



REVISIONS

DATE: 08/15/13
BY: [Signature]