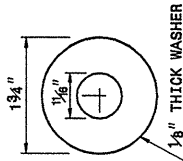
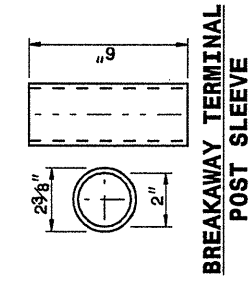


25-OCT-2004 13:55  
 W:\Special Details\english\862d02\0862d02.dgn  
 erickard At 05212260

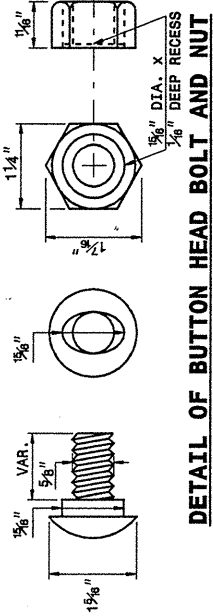
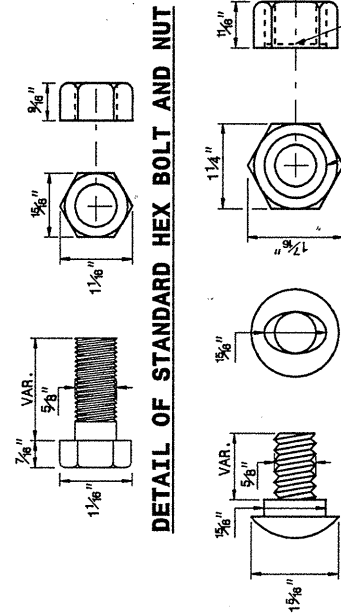
STATE OF  
 NORTH CAROLINA  
 DEPT. OF TRANSPORTATION  
 DIVISION OF HIGHWAYS  
 RALEIGH, N.C.

ENGLISH DETAIL DRAWING FOR  
**GUARDRAIL INSTALLATION**

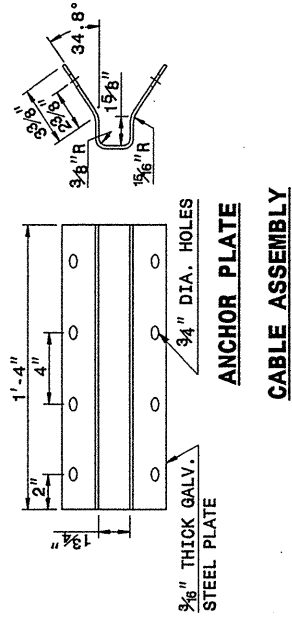
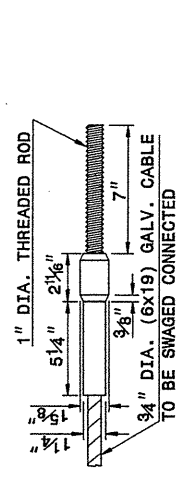
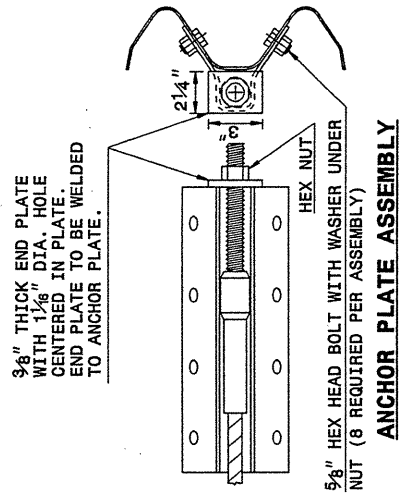
SHEET 6 OF 7  
**862D02**



**DETAIL OF STANDARD WASHER**  
 STANDARD WASHER: TYPICAL USE UNDER NUT WITH WOOD POST



**SYSTEM PARTS**



STATE OF  
 NORTH CAROLINA  
 DEPT. OF TRANSPORTATION  
 DIVISION OF HIGHWAYS  
 RALEIGH, N.C.

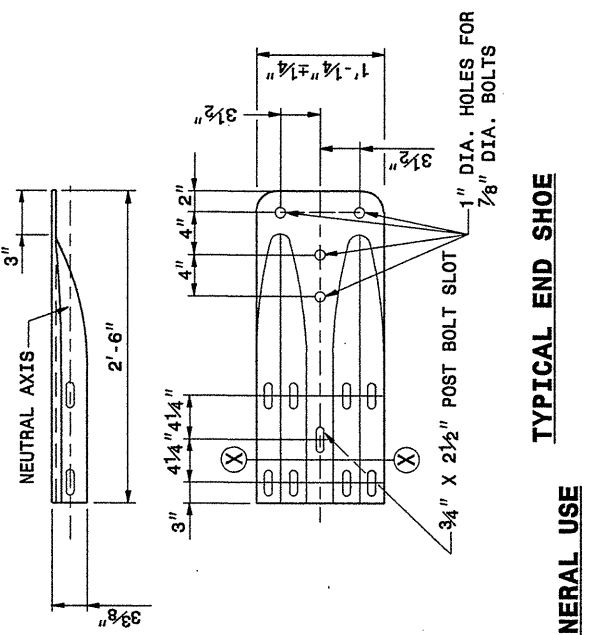
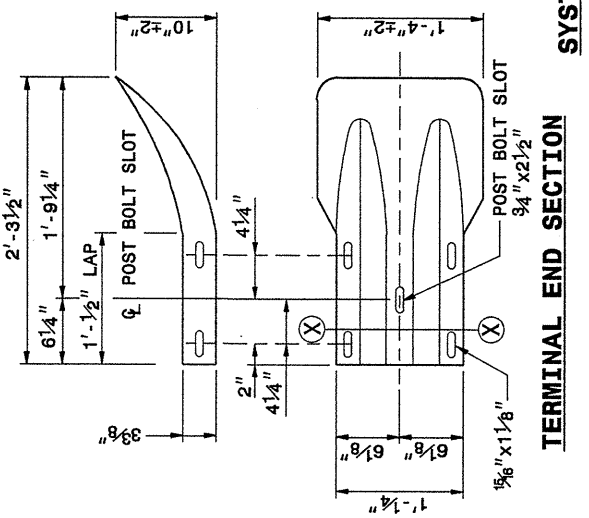
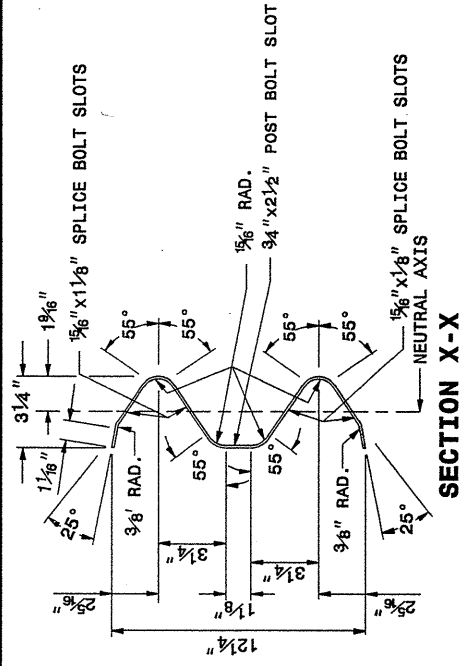
ENGLISH DETAIL DRAWING FOR  
**GUARDRAIL INSTALLATION**

SHEET 6 OF 7  
**862D02**

STATE OF  
 NORTH CAROLINA  
 DEPT. OF TRANSPORTATION  
 DIVISION OF HIGHWAYS  
 RALEIGH, N.C.

ENGLISH DETAIL DRAWING FOR  
**GUARDRAIL INSTALLATION**

SHEET 6 OF 7  
**862D02**



STATE OF  
 NORTH CAROLINA  
 DEPT. OF TRANSPORTATION  
 DIVISION OF HIGHWAYS  
 RALEIGH, N.C.

ENGLISH DETAIL DRAWING FOR  
**GUARDRAIL INSTALLATION**

SHEET 6 OF 7  
**862D02**

PROJECT SERVICES UNIT  
 STANDARDS AND SPECIAL DESIGN  
 Office 919-250-4128 FAX 919-250-4119

**SEE PLATE FOR TITLE**

ORIGINAL BY: 2002 STD.862.02 DATE:  
 MODIFIED BY: E.E. WARD DATE: 02-09-03  
 CHECKED BY: DATE:  
 FILE SPEC.: /usr/stds/02todetail/english/86202/862d02.dgn