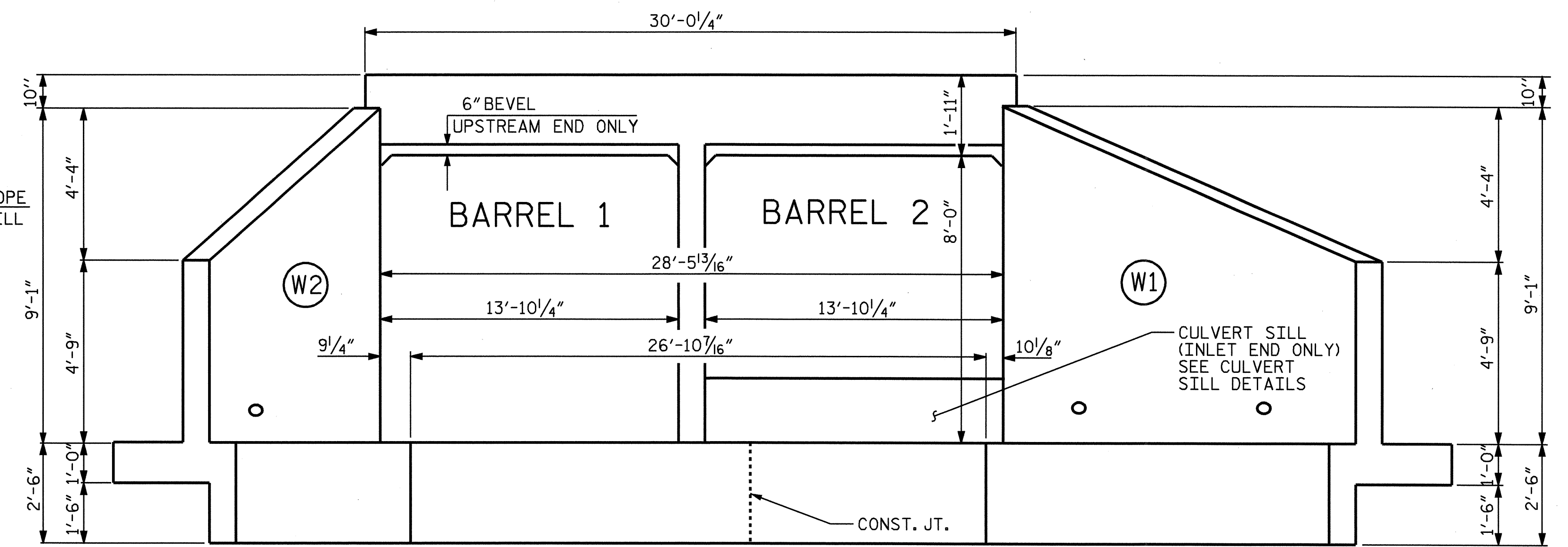
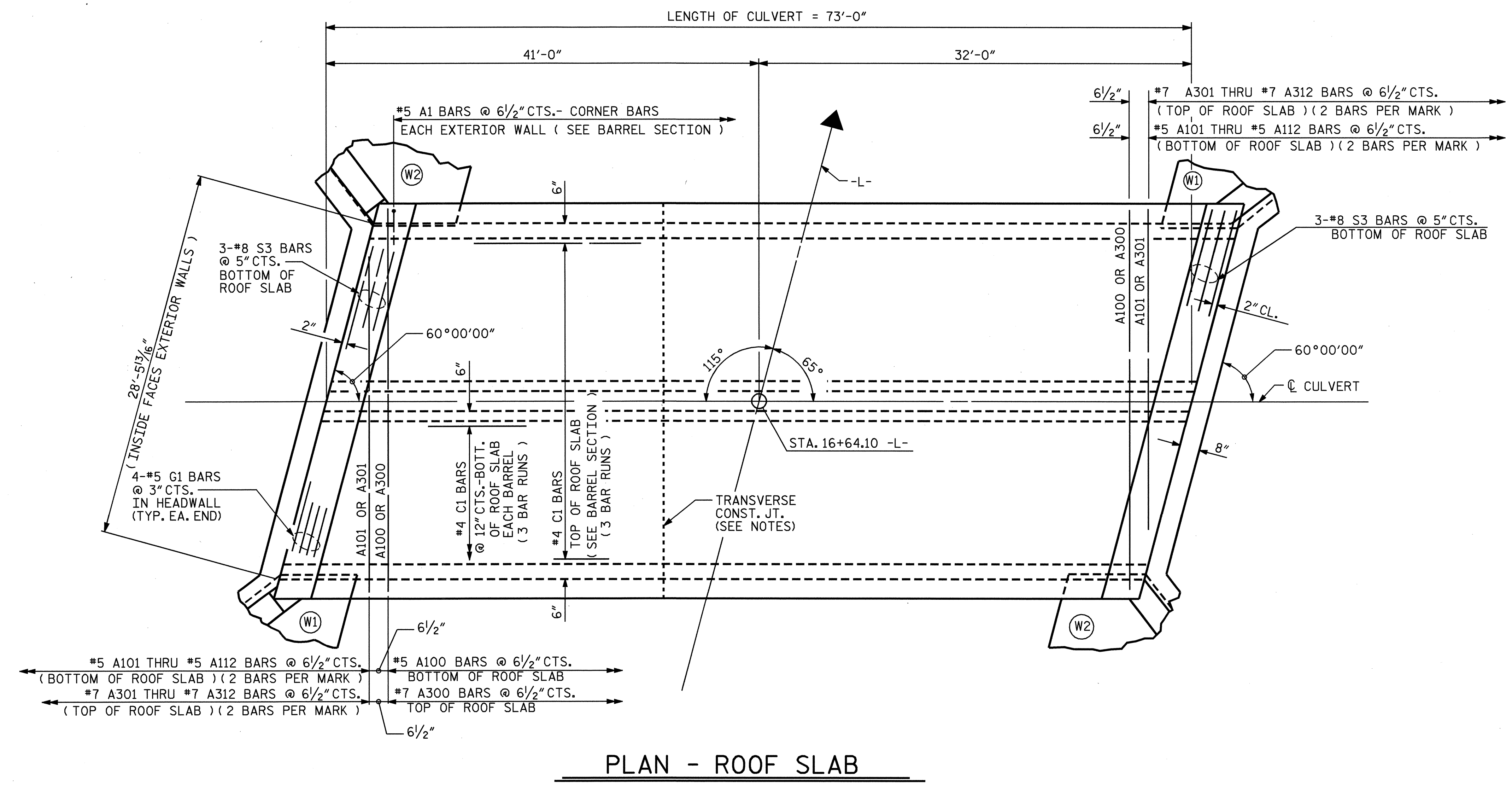


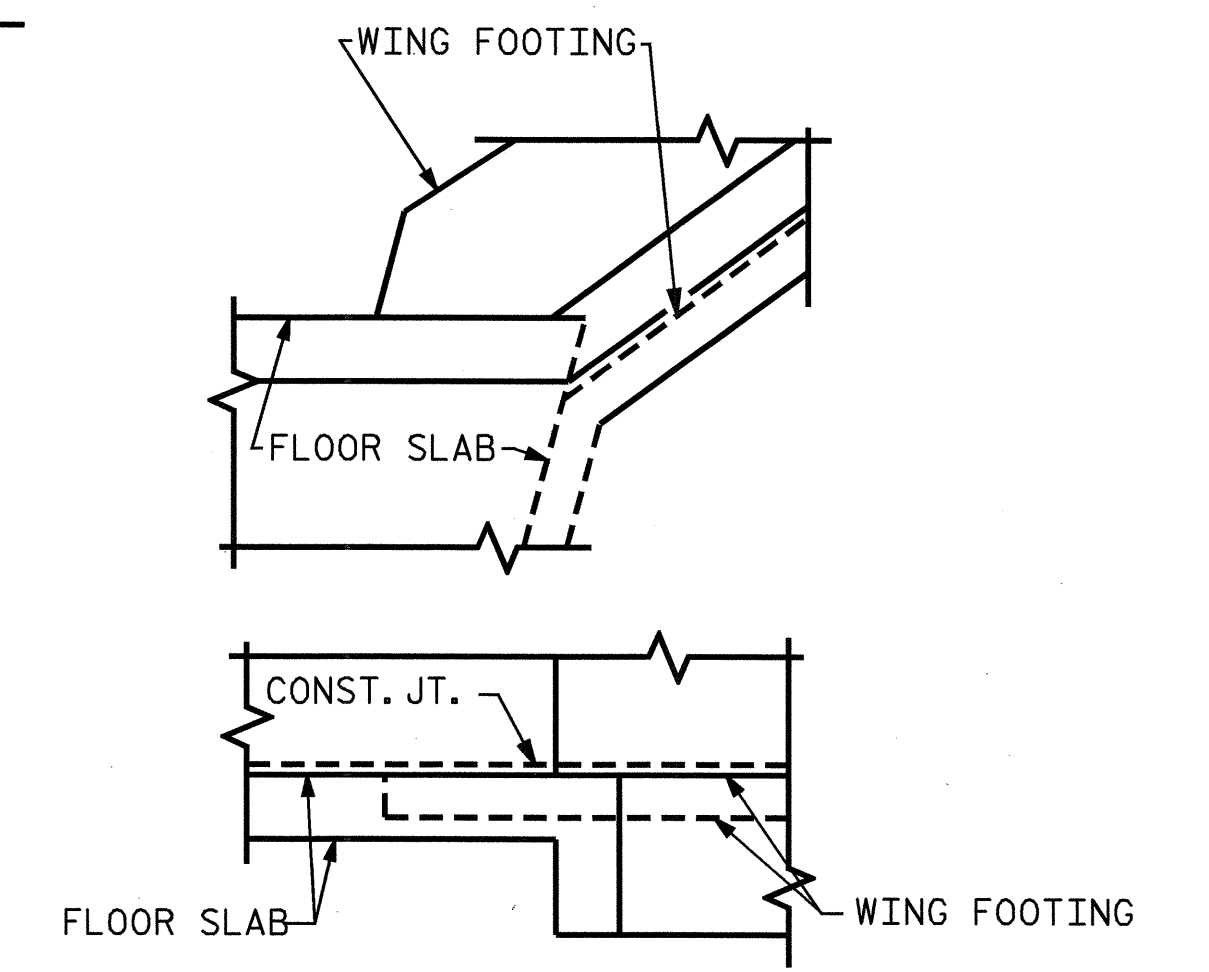
EXTERIOR WALL INTERIOR WALL
CULVERT SECTION NORMAL TO ROADWAY



END ELEVATION NORMAL TO SKEW
 (LOOKING DOWN STREAM)

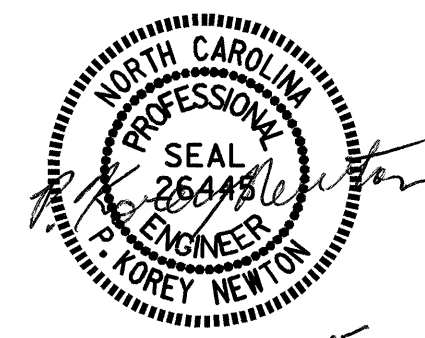


PLAN - ROOF SLAB



DETAIL
CONNECTION OF WING FOOTING AND FLOOR SLAB WHEN SLAB IS THICKER THAN FOOTING

PROJECT NO. B-3834
DAVIDSON COUNTY
 STATION: 16+64.10 -L-
 SHEET 2 OF 5



STATE OF NORTH CAROLINA
 DEPARTMENT OF TRANSPORTATION
 RALEIGH
DOUBLE 12 FT. X 8 FT. CONCRETE BOX CULVERT
65° SKEW

DRAWN BY: Neil M. Ruffin DATE: 11/29/04
 CHECKED BY: P. K. NEWTON DATE: 03/08/05

REVISIONS						SHEET NO.
NO.	BY:	DATE:	NO.	BY:	DATE:	C-2
1			3			TOTAL SHEETS
2			4			5

5-16-2005