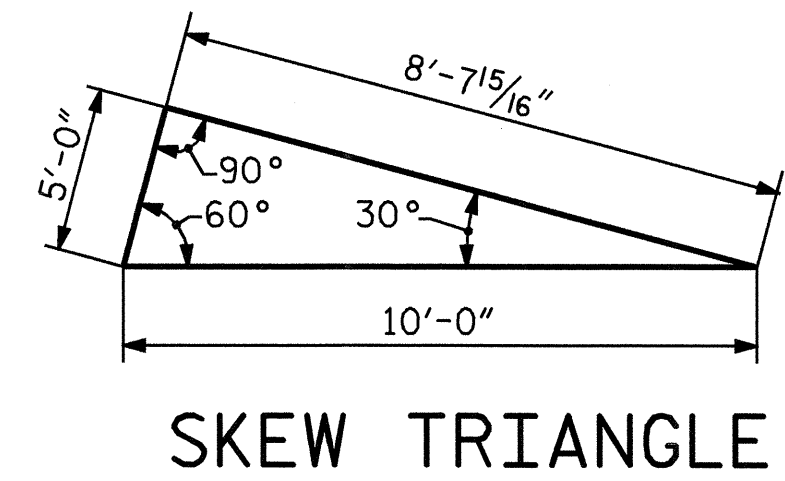
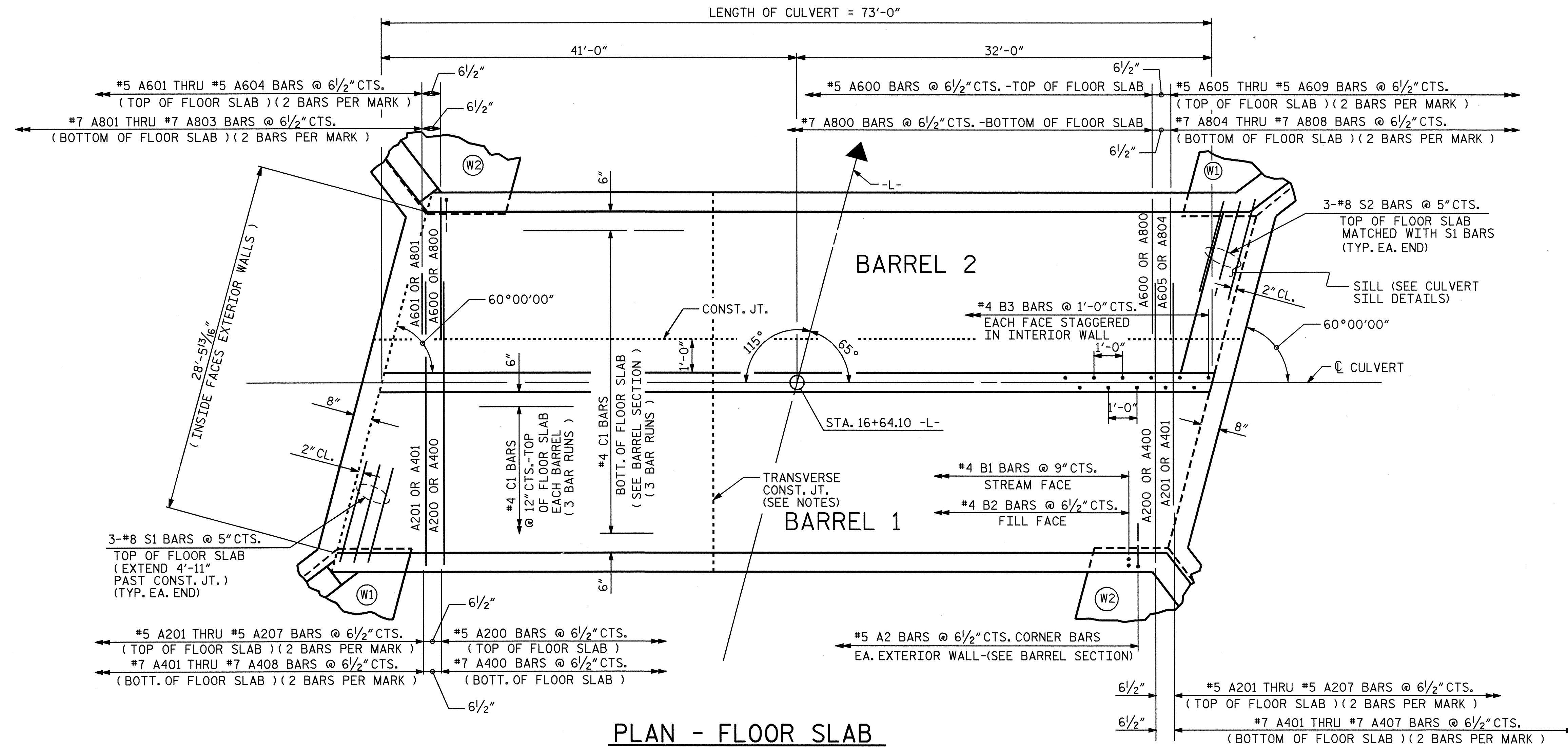
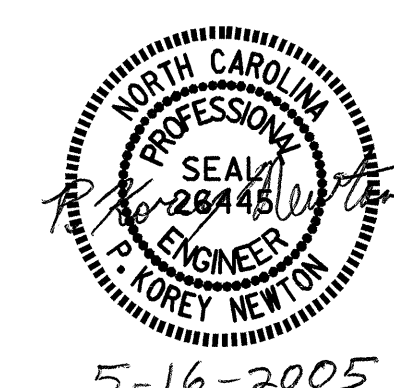


NOTE:
SEE CULVERT SILL DETAILS FOR LOCATION OF D1 BARS IN
BARREL 2.



DRAWN BY: Neil M. Ruffin DATE: 11/29/04
CHECKED BY: P. K. NEWTON DATE: 03/08/05

16-MAY-2005 09:12
S:\PG4\squadh\B3834\nruffin\Drawings\B3834-ed.CU.01.dgn
nruffin



5-16-2005

PROJECT NO. B-3834
DAVIDSON COUNTY
STATION: 16+64.10 -L-

SHEET 3 OF 5

STATE OF NORTH CAROLINA
DEPARTMENT OF TRANSPORTATION
RALEIGH

DOUBLE 12 FT. X 8 FT.
CONCRETE BOX CULVERT
65° SKEW

| REVISIONS | | | | | | SHEET NO. |
|-----------|-----|-------|-----|-----|-------|--------------|
| NO. | BY: | DATE: | NO. | BY: | DATE: | C-3 |
| 1 | | | 3 | | | TOTAL SHEETS |
| 2 | | | 4 | | | 5 |