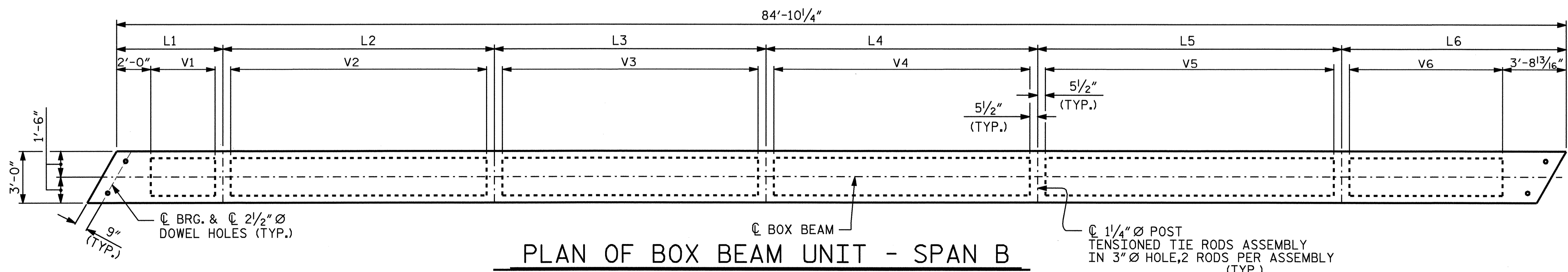


PLAN OF SPAN B



PLAN OF BOX BEAM UNIT - SPAN B

FOR REINFORCING STEEL, SEE PLAN OF BOX BEAM, SHEET 7 OF 10.
FOR DIMENSIONS, SEE PLAN CHARTS, SHEET 5 OF 10.

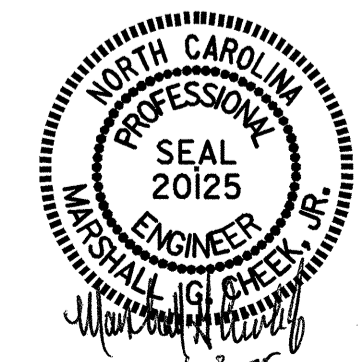
PROJECT NO. B-3664
HENDERSON COUNTY
 STATION: 20+95.00 -L-

SHEET 3 OF 10

STATE OF NORTH CAROLINA
 DEPARTMENT OF TRANSPORTATION
 RALEIGH

SUPERSTRUCTURE
 PLAN OF SPAN B

REVISIONS						SHEET NO.
NO.	BY:	DATE:	NO.	BY:	DATE:	S-6
1			3			TOTAL SHEETS
2			4			27



DRAWN BY : V. X. NGUYEN DATE : 3-24-05
 CHECKED BY : D. HODGE DATE : 4-05