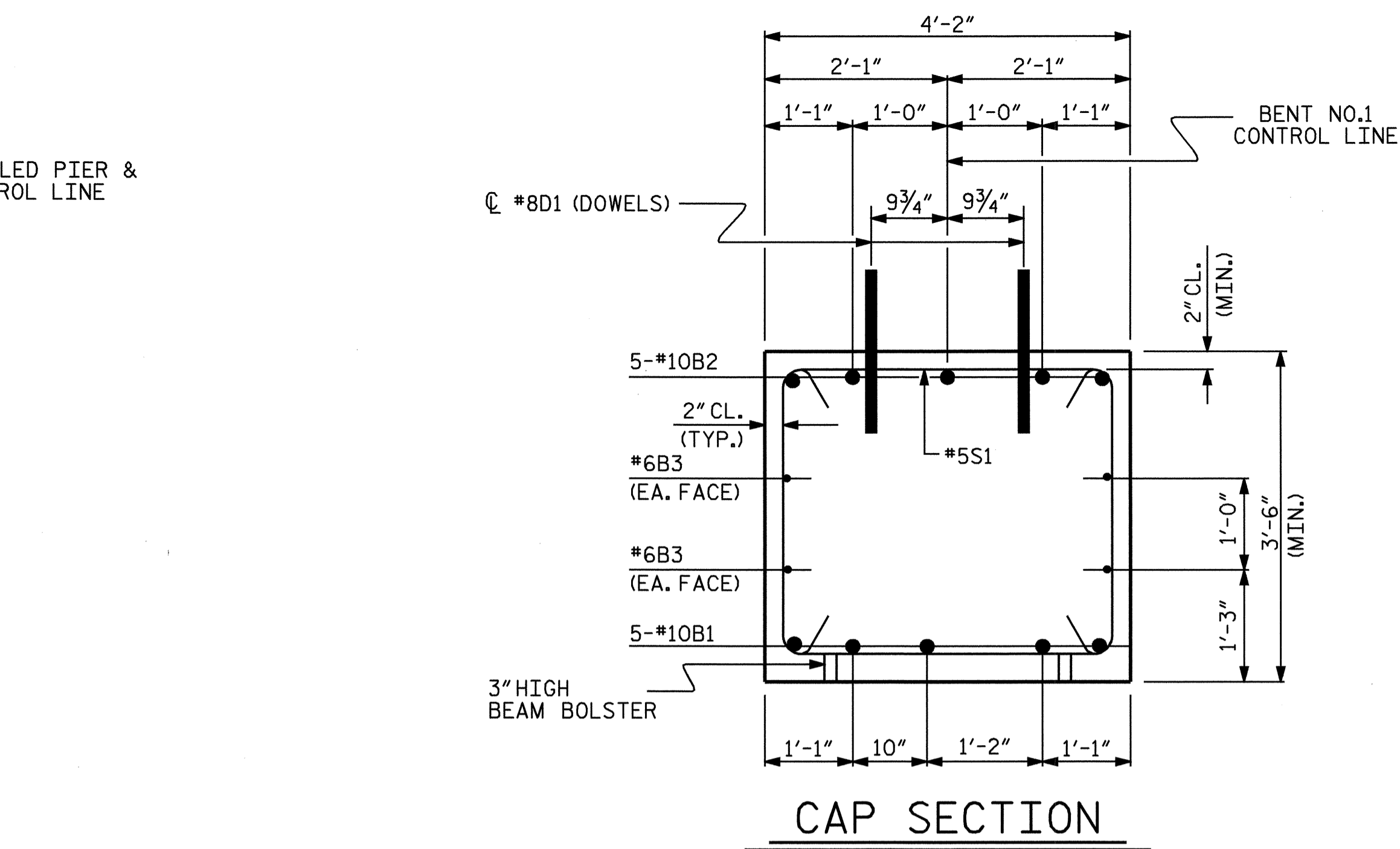
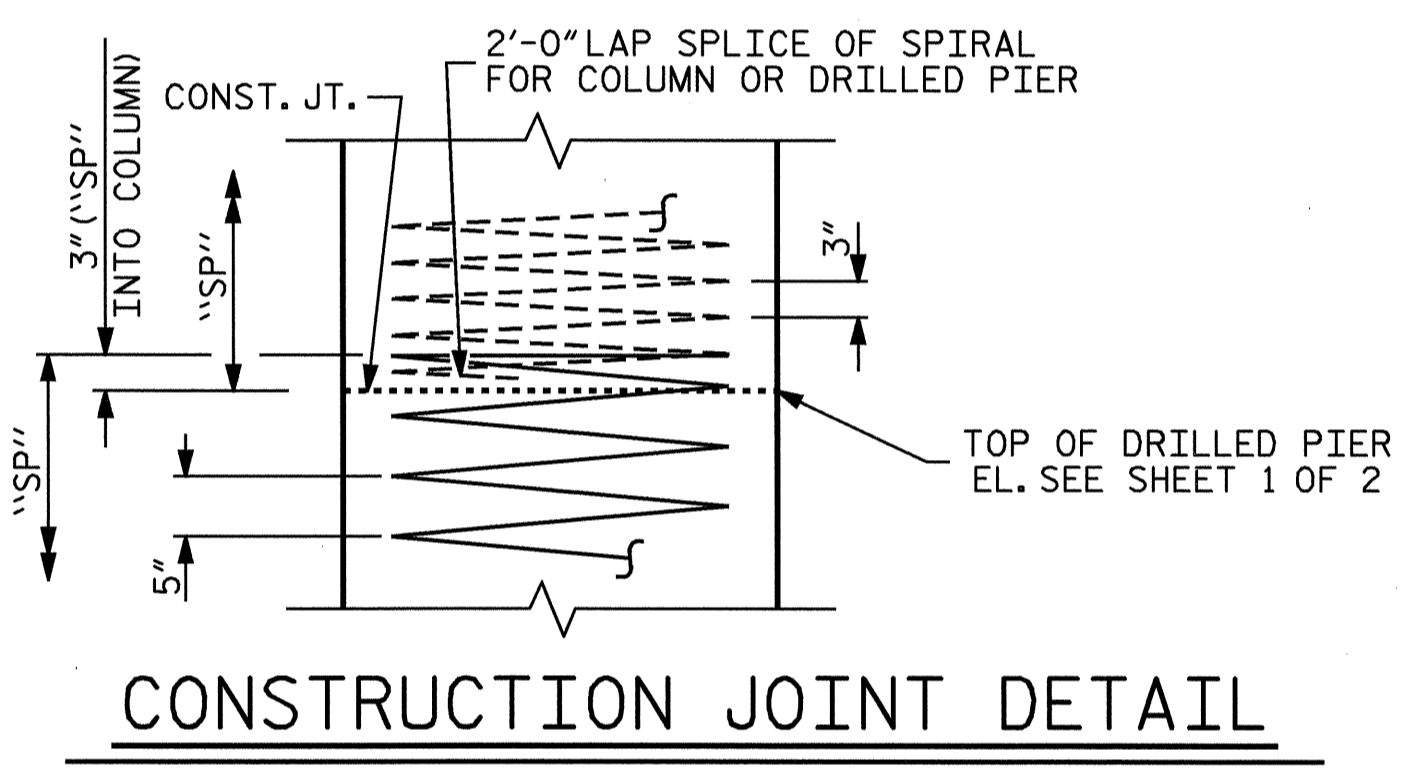


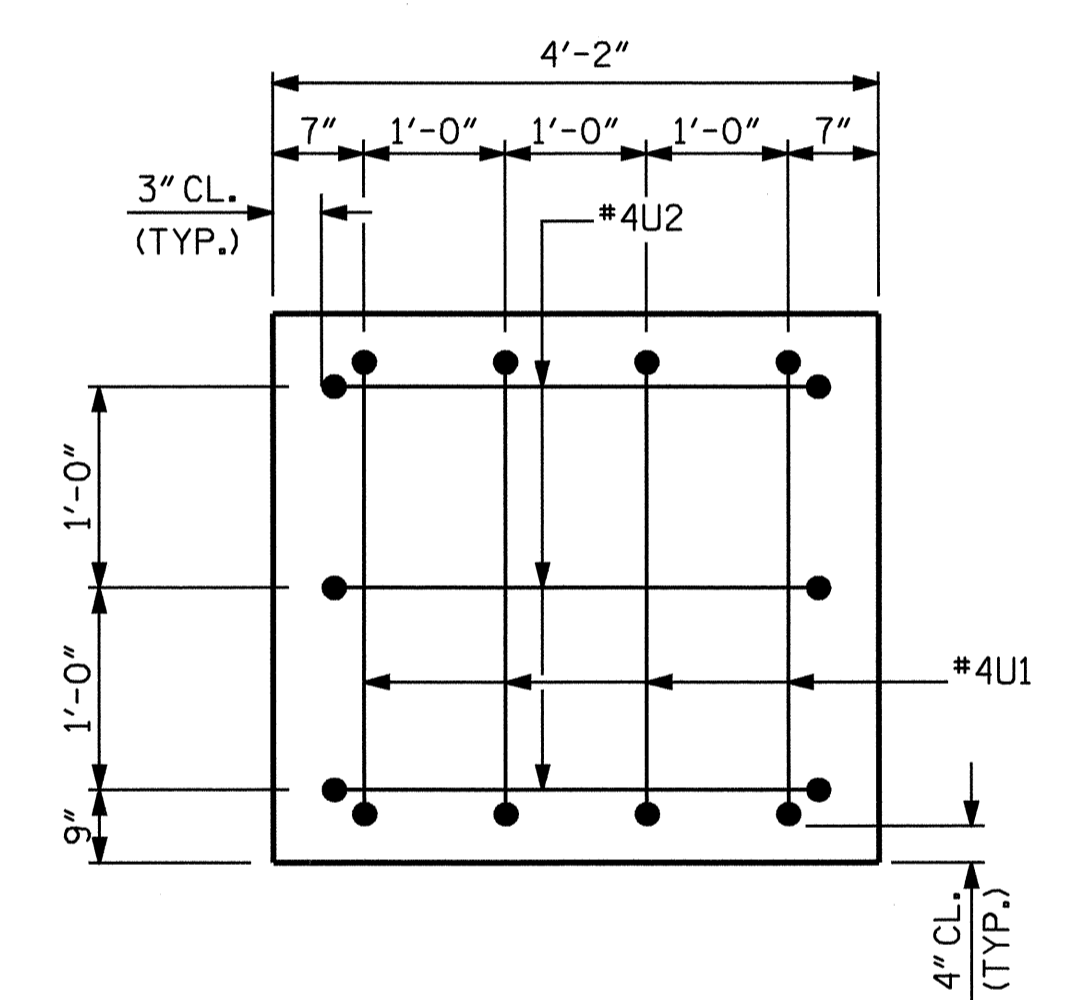
**END ELEVATION**



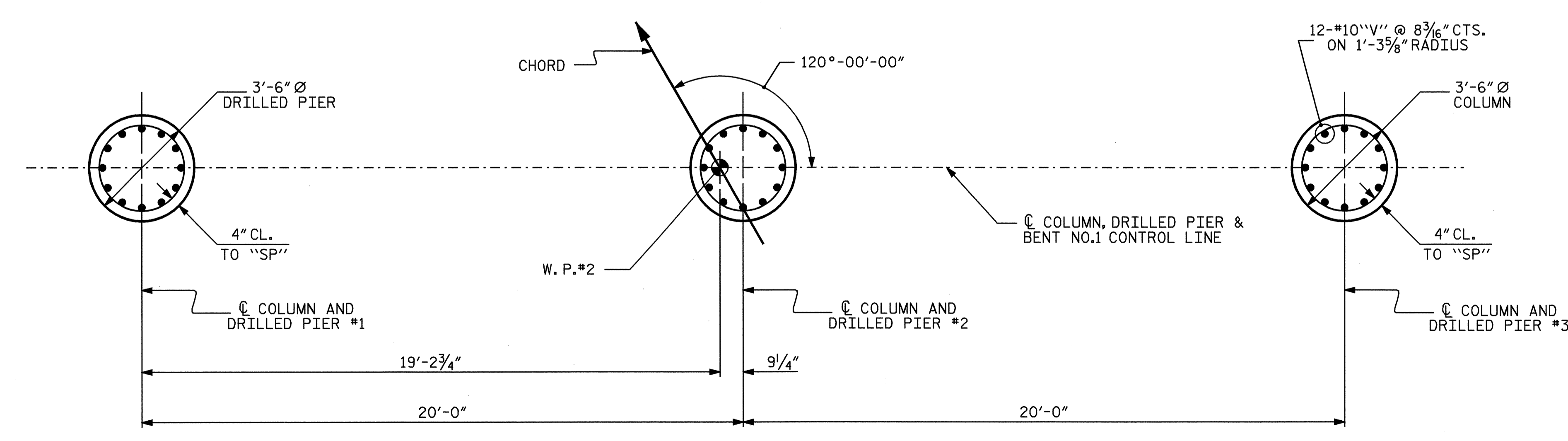
**CAP SECTION**



**CONSTRUCTION JOINT DETAIL**



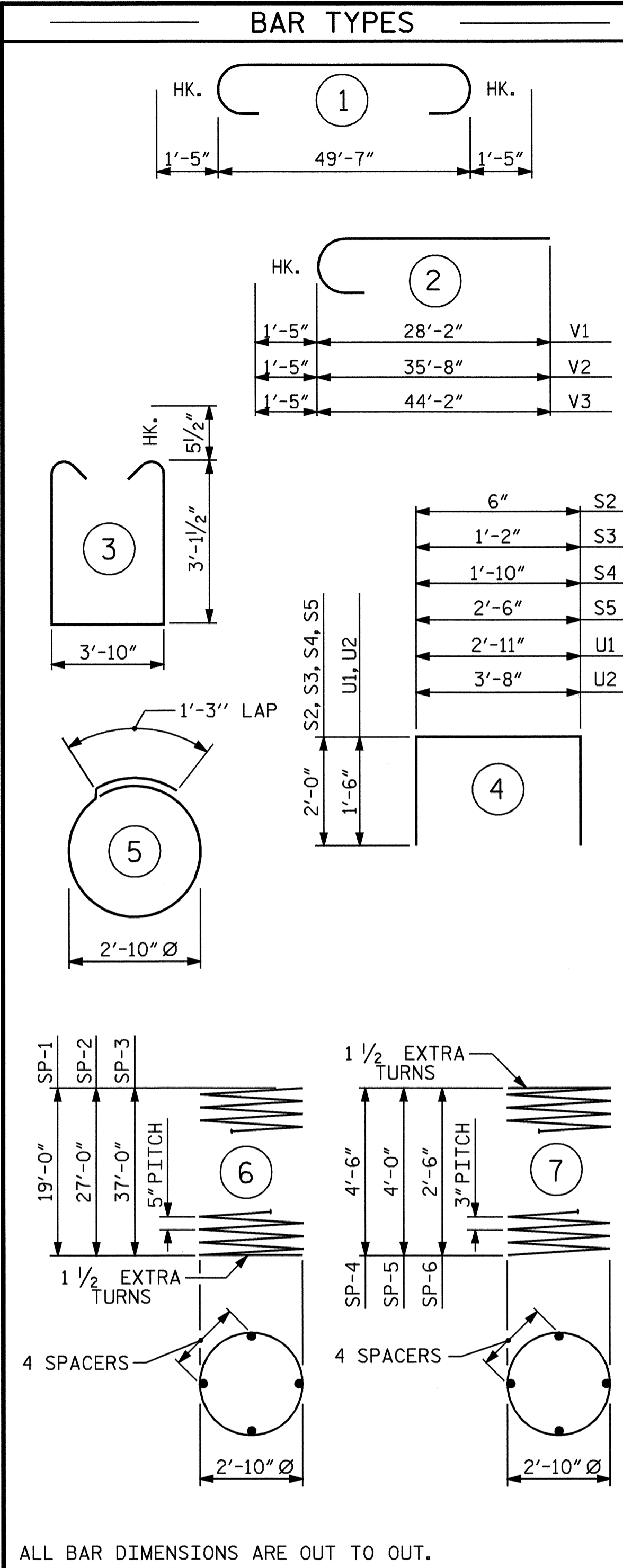
**END OF CAP ELEVATION (TYP. EA. END)**



**PLAN OF DRILLED PIERS AND COLUMNS**

REINFORCING STEEL AND DIMENSIONS TYPICAL FOR ALL DRILLED PIERS AND COLUMNS

DRAWN BY: L.L. MURPHY DATE: 04-05  
 CHECKED BY: D. HODGE DATE: 05/05



ALL BAR DIMENSIONS ARE OUT TO OUT.  
 THE CONTRACTOR'S ATTENTION IS CALLED TO THE FACT THAT THE LONGITUDINAL REINFORCEMENT FOR THE DRILLED PIERS IS DETAILED WITH 3 FEET OF EXTRA LENGTH.

**BILL OF MATERIAL**

BENT NO. 1						
BAR	NO.	SIZE	TYPE	LENGTH	WEIGHT	
B1	5	#10	STR	49'-8"	1069	
B2	5	#10	1	52'-5"	1128	
B3	4	#6	STR	49'-8"	298	
B4	2	#4	STR	3'-10"	5	
B5	2	#4	STR	4'-5"	6	
D1	52	#8	STR	2'-3"	312	
S1	46	#5	3	11'-0"	528	
S2	2	#4	4	4'-6"	6	
S3	2	#4	4	5'-2"	7	
S4	2	#4	4	5'-10"	8	
S5	2	#4	4	6'-6"	9	
T1	15	#4	5	10'-2"	102	
U1	8	#4	4	5'-11"	32	
U2	6	#4	4	6'-8"	27	
V1	12	#10	2	29'-7"	1528	
V2	12	#10	2	37'-1"	1915	
V3	12	#10	2	45'-7"	2354	
SP-1	1	**	6	412'-1"	430	
SP-2	1	**	6	580'-0"	605	
SP-3	1	**	6	789'-11"	824	
SP-4	1	***	7	171'-2"	114	
SP-5	1	***	7	153'-7"	103	
SP-6	1	***	7	100'-11"	67	
REINFORCING STEEL = 9334 LBS.						
SPIRAL REINFORCING STEEL = 2143 LBS.						
* THE SP-1, SP-2, & SP-3 SPIRAL REINFORCING STEEL SHALL BE W31 OR D-31 COLD DRAWN WIRE OR #5 PLAIN OR DEFORMED BAR.						
*** THE SP-4, SP-5, & SP-6 SPIRAL REINFORCING STEEL SHALL BE W20 OR D-20 COLD DRAWN WIRE OR #4 PLAIN OR DEFORMED BAR.						
DRILLED PIER QUANTITIES						
DRILLED PIER CONCRETE						
POUR #1 (DRILLED PIERS)					30.1 C.Y.	
CLASS "A" CONCRETE BREAKDOWN						
POUR #2 (COLUMNS)					3.6 C.Y.	
POUR #3 (CAP)					27.0 C.Y.	
POUR #4 (LATERAL GUIDES)					0.3 C.Y.	
TOTAL					30.9 C.Y.	
3'-6" DRILLED PIERS IN SOIL						66.50 LIN. FT.
3'-6" DRILLED PIERS NOT IN SOIL						18.00 LIN. FT.
3'-6" PERMANENT STEEL CASING						41.23 LIN. FT.
SID INSPECTION						1 EA.
SPT TESTING						1 EA.
CROSSHOLE SONIC LOGGING						1 EA.
CSL TUBES						368 LIN. FT.

PROJECT NO. B-3664  
 HENDERSON COUNTY  
 STATION: 20+95.00-L-

SHEET 2 OF 2

STATE OF NORTH CAROLINA  
 DEPARTMENT OF TRANSPORTATION  
 RALEIGH  
**SUBSTRUCTURE**  
 BENT NO. 1

REVISIONS						SHEET NO.
NO.	BY:	DATE:	NO.	BY:	DATE:	S-18
1			3			TOTAL SHEETS
2			4			27