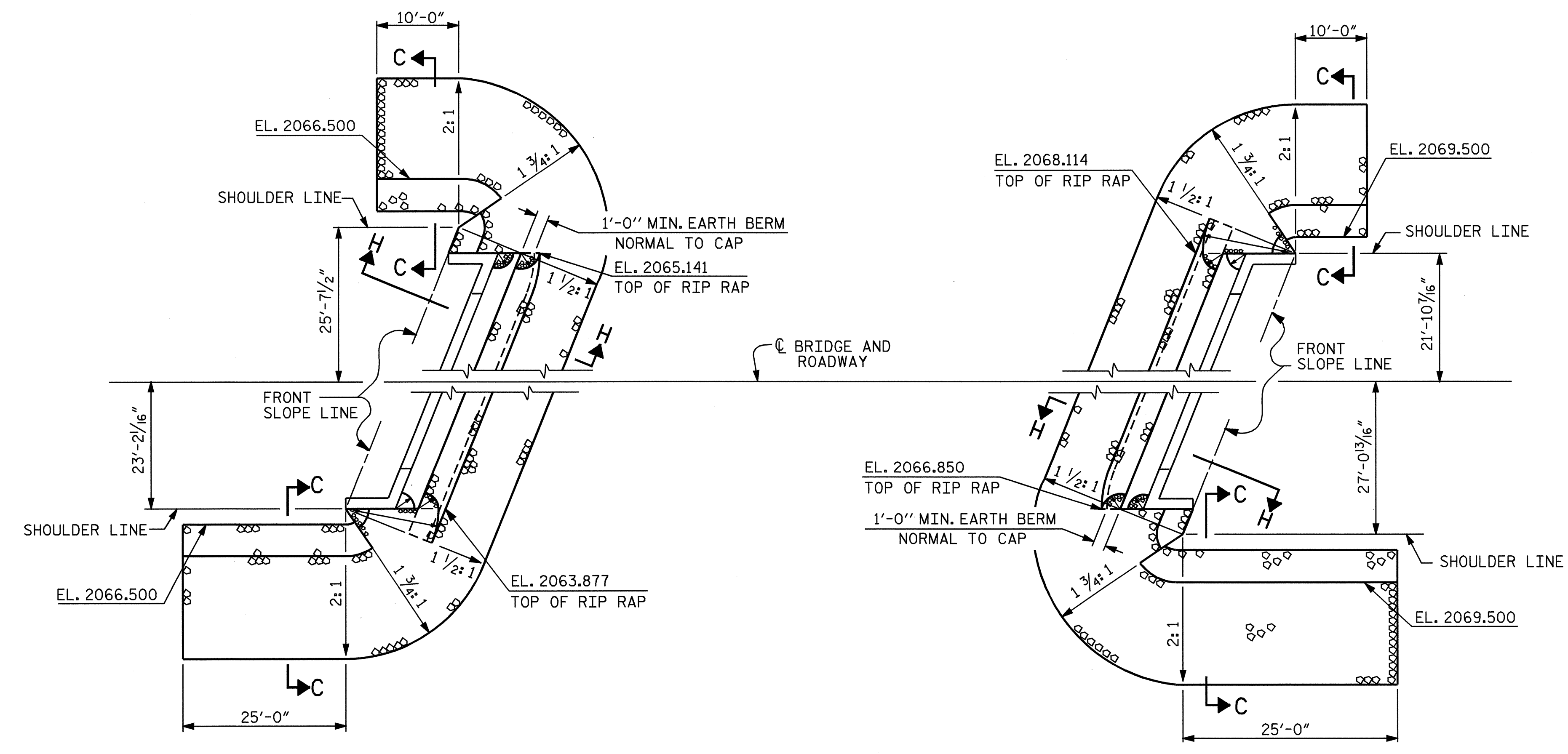
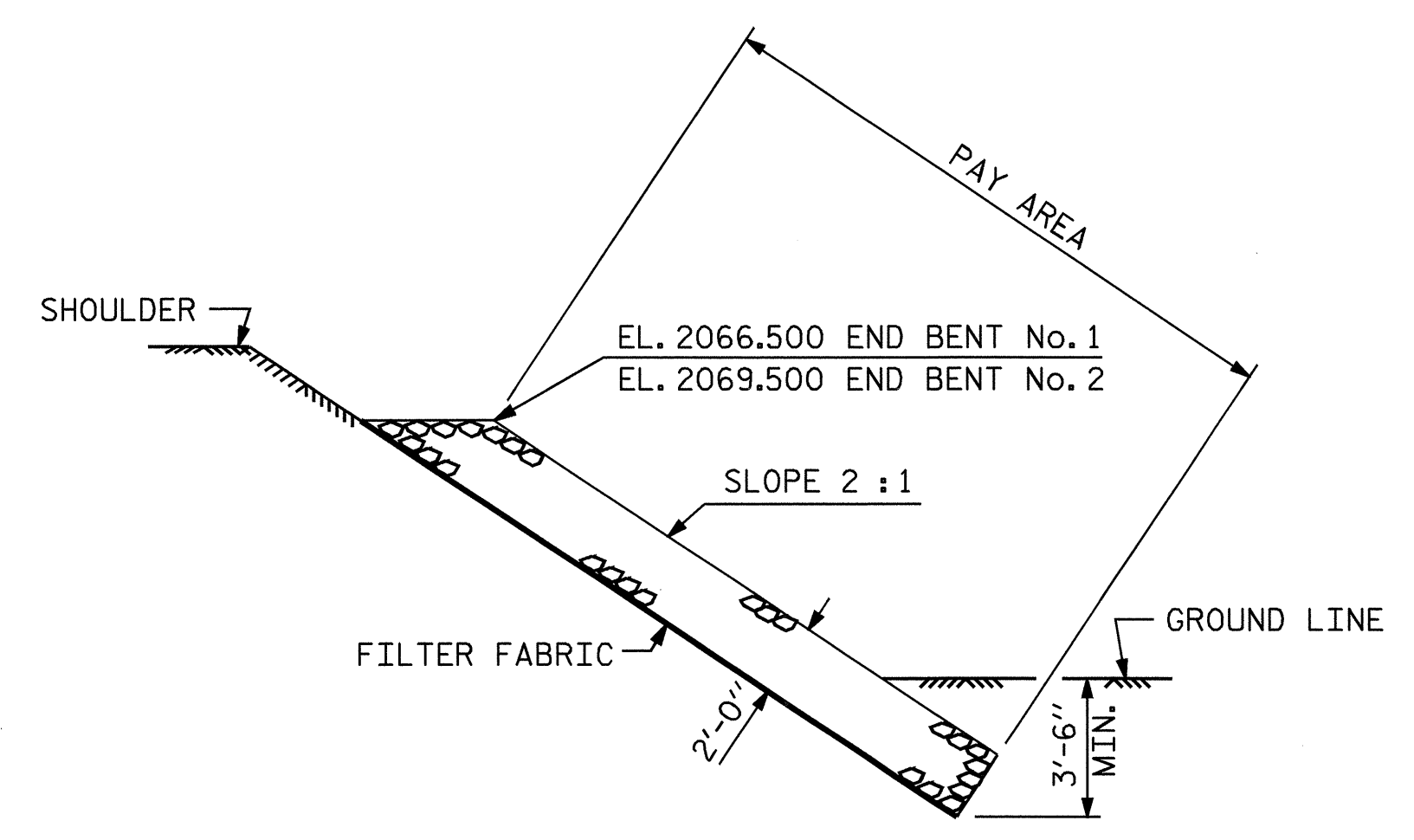
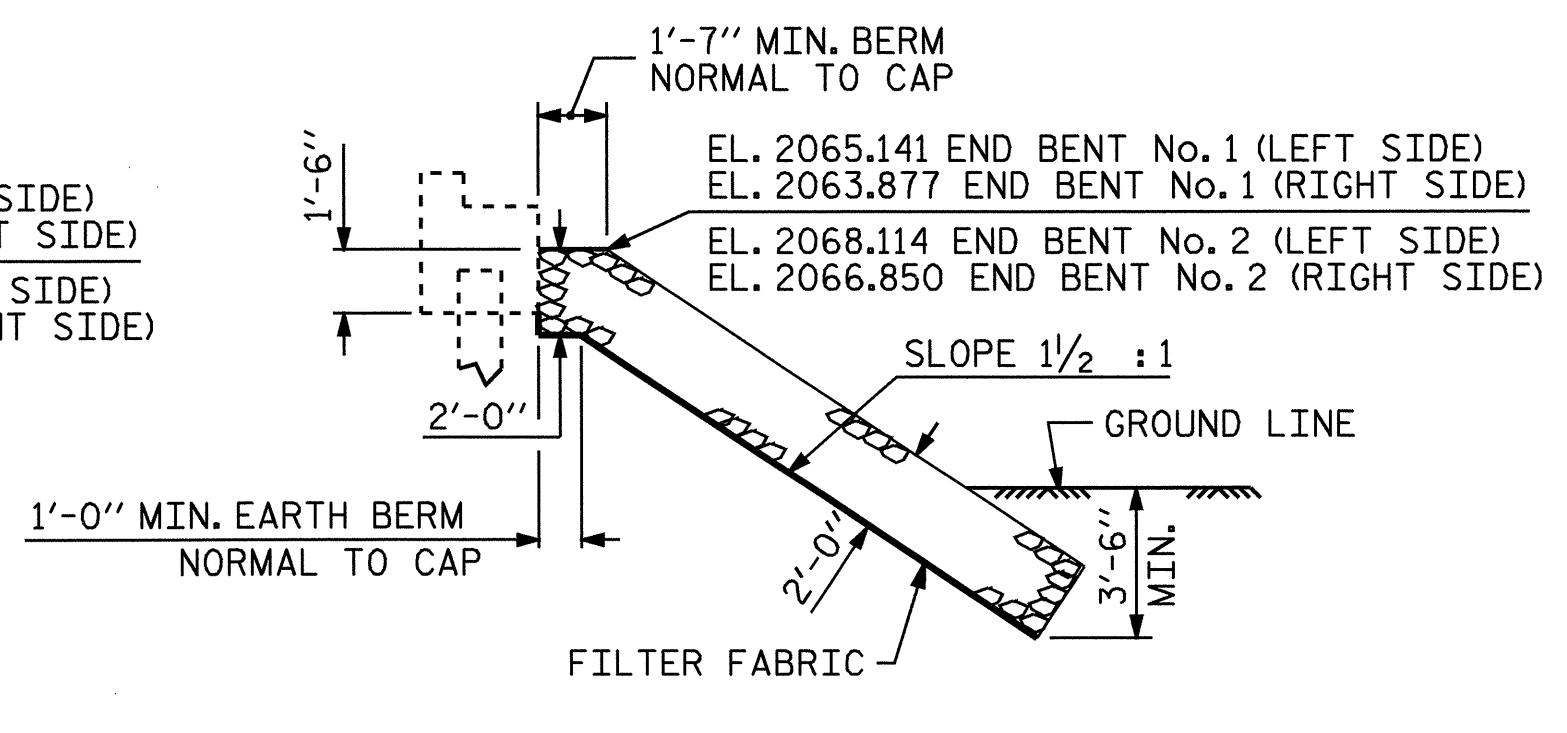
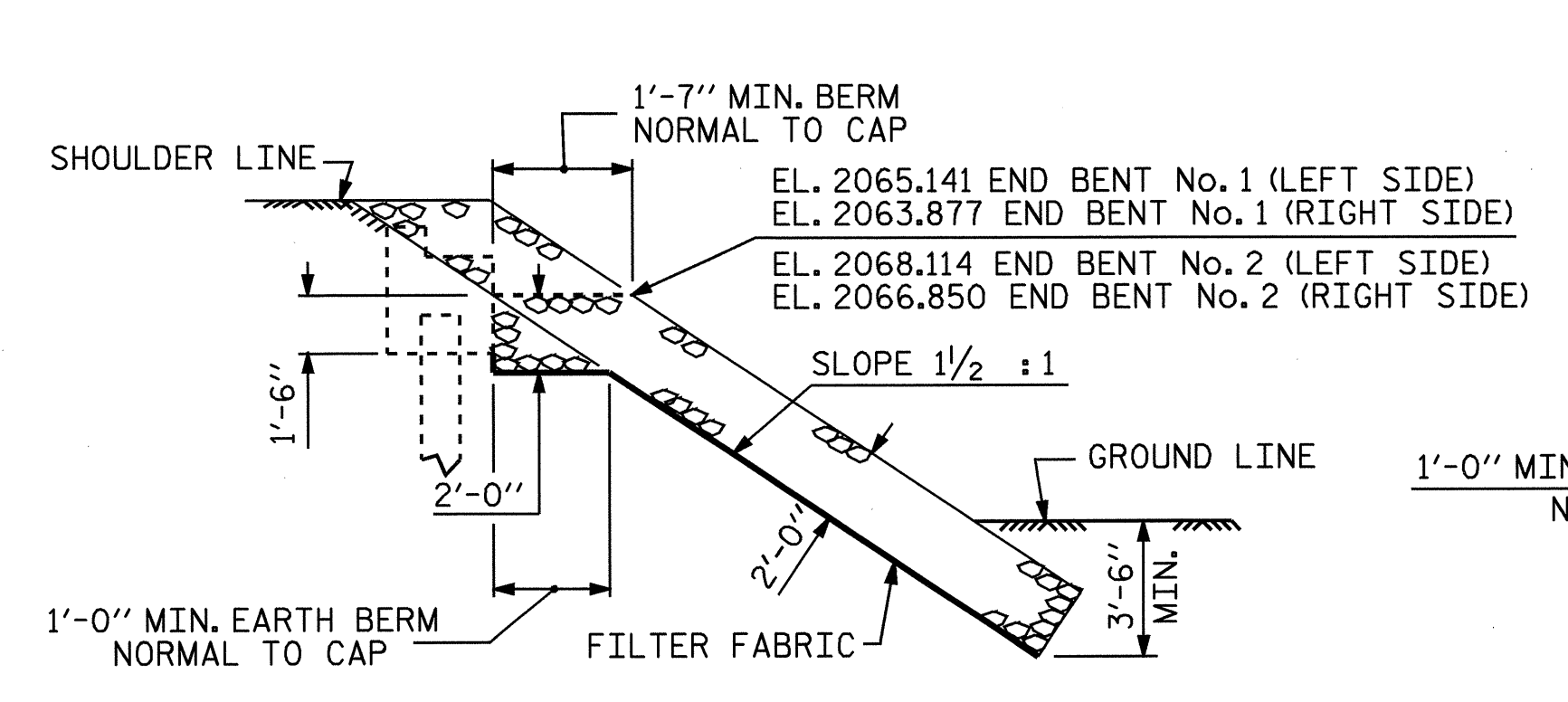


NOTES :
FOR BERM WIDTH DIMENSIONS, SEE GENERAL DRAWING.



ESTIMATED QUANTITIES		
BRIDGE @ STA. 20+95.00 -L-	PLAIN RIP RAP CLASS II	FILTER FABRIC FOR DRAINAGE
	TONS	SQUARE YARDS
END BENT 1	120	130
END BENT 2	170	190

SHOULDER RIP RAP IS HIGHER THAN BERM RIP RAP



PROJECT NO. B-3664
HENDERSON COUNTY
STATION: 20+95.00 -L-

STATE OF NORTH CAROLINA
DEPARTMENT OF TRANSPORTATION
RALEIGH
STANDARD
— RIP RAP DETAILS —

ASSEMBLED BY : D. HODGE DATE : 3/05
CHECKED BY : W.J. HARRIS DATE : 4/05
DRAWN BY : REK 1/84 REV. 7/17/98 REK/RWW
CHECKED BY : RDU 1/84 REV. 8/16/99 RWW/LES
REV. 10/17/00 RWW/LES



REVISIONS						SHEET NO.
NO.	BY:	DATE:	NO.	BY:	DATE:	S-24
1			3			TOTAL SHEETS 27
2			4			

02-JUN-2005 13:48
D:\B3664.dwg
gdhodge

SKEW > 90°

STD. NO. RR3