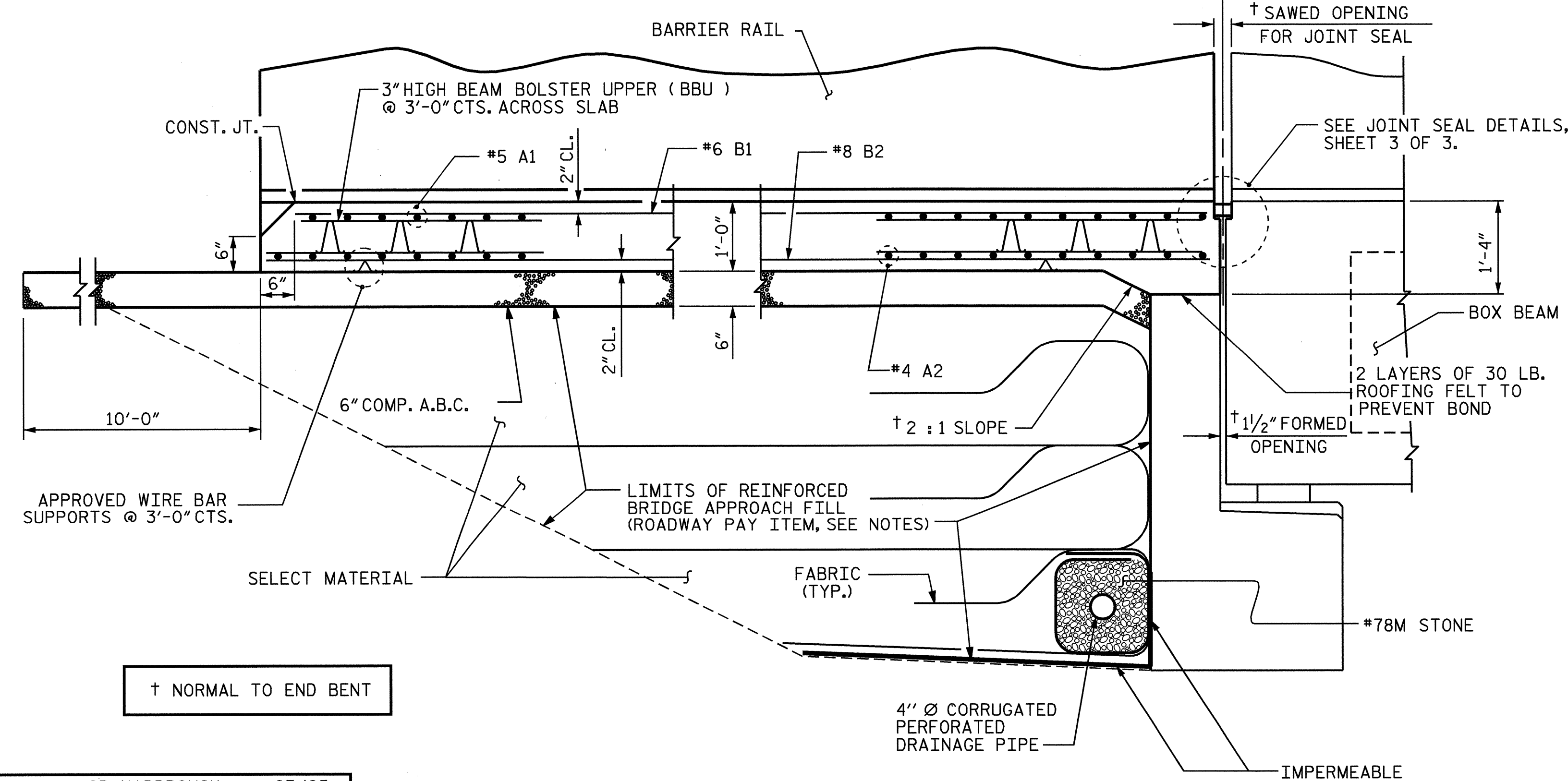
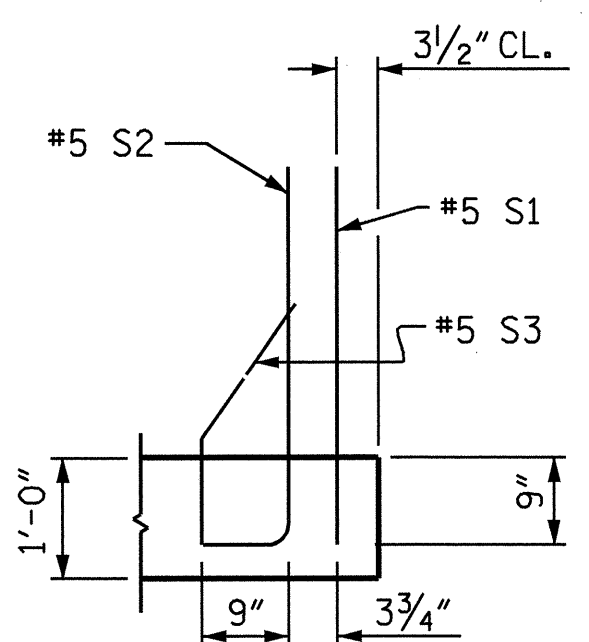


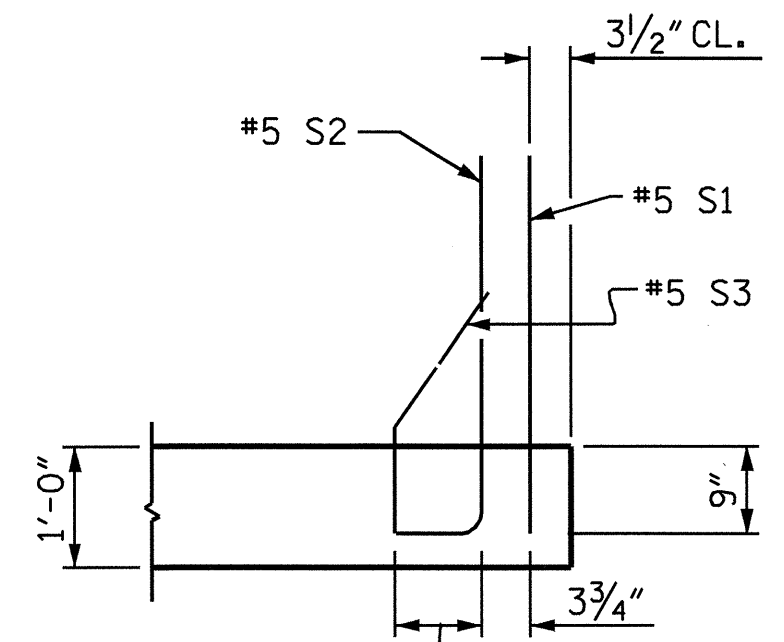
PLAN



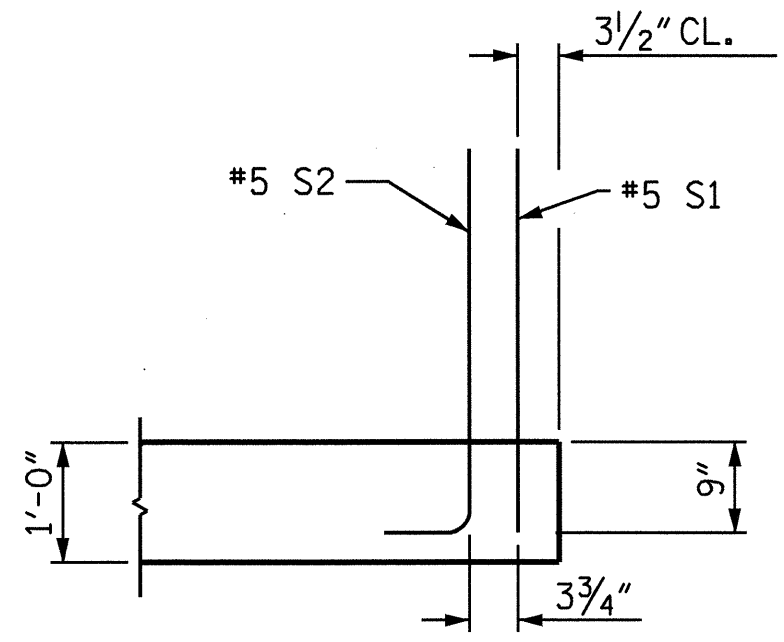
SECTION THRU SLAB



SECTION K-K



SECTION L-L



SECTION M-M

NOTES

THE COST OF THE BARRIER RAIL ON THE APPROACH SLAB SHALL BE INCLUDED IN THE LUMP SUM CONTRACT PRICE BID FOR BRIDGE APPROACH SLABS.

APPROACH SLAB SHALL NOT BE CONSTRUCTED PRIOR TO COMPLETION OF THE BRIDGE DECK.

FOR REINFORCED BRIDGE APPROACH FILL INCLUDING FABRIC, IMPERMEABLE GEOMEMBRANE, 4" Ø DRAINAGE PIPE, #78M STONE, AND SELECT MATERIAL, SEE ROADWAY PLANS.

TEMPORARY DRAINAGE AND TEMPORARY BERM AND SLOPE DRAINS WILL BE PAID FOR UNDER THE LUMP SUM PRICE FOR BRIDGE APPROACH SLAB.

AREA BETWEEN THE WINGWALL AND APPROACH SLAB SHALL BE GRADED TO DRAIN THE WATER AWAY FROM THE FILL FACE OF THE BRIDGE AND SHALL BE PAVED. SEE ROADWAY PLANS.

THE 6" COMP. A.B.C. SHALL EXTEND 10'-0" BEYOND THE END OF THE APPROACH SLAB AND 1'-0" OUTSIDE OF EACH EDGE OF SLAB.

THE CONTRACTOR MAY USE 4" TYPE B-25.0B ASPHALT CONCRETE BASE COURSE IN LIEU OF 6" COMP. A.B.C. IF THIS OPTION IS USED, THE BASE COURSE SHALL EXTEND 1'-0" BEYOND THE END OF THE APPROACH SLAB AND THE WIDTH SHALL BE THE SAME AS THAT OF THE APPROACH SLAB.

THE CONTRACTOR MAY USE 5" CLASS "A" CONCRETE BASE IN LIEU OF 6" COMP. A.B.C. IF THIS OPTION IS USED, THE CONCRETE BASE SHALL EXTEND 1'-0" BEYOND THE END OF THE APPROACH SLAB AND THE WIDTH SHALL BE THE SAME AS THAT OF THE APPROACH SLAB. THE CONCRETE SHALL BE FINISHED TO A SMOOTH SURFACE AND A LAYER OF 30 LB ROOFING FELT SHALL BE PLACED BETWEEN THE CONCRETE BASE AND THE APPROACH SLAB TO PREVENT BOND. THE APPROACH SLAB SHALL NOT BE CAST UNTIL THE CONCRETE BASE HAS REACHED AN AGE OF THREE CURING DAYS.

FOR EVAZOTE JOINT SEALS, SEE SPECIAL PROVISIONS.

THE NOMINAL UNCOMPRESSED SEAL WIDTH OF THE EVAZOTE JOINT SEAL SHALL BE 2 1/2".

BILL OF MATERIAL

FOR ONE APPROACH SLAB (2 REQ'D)

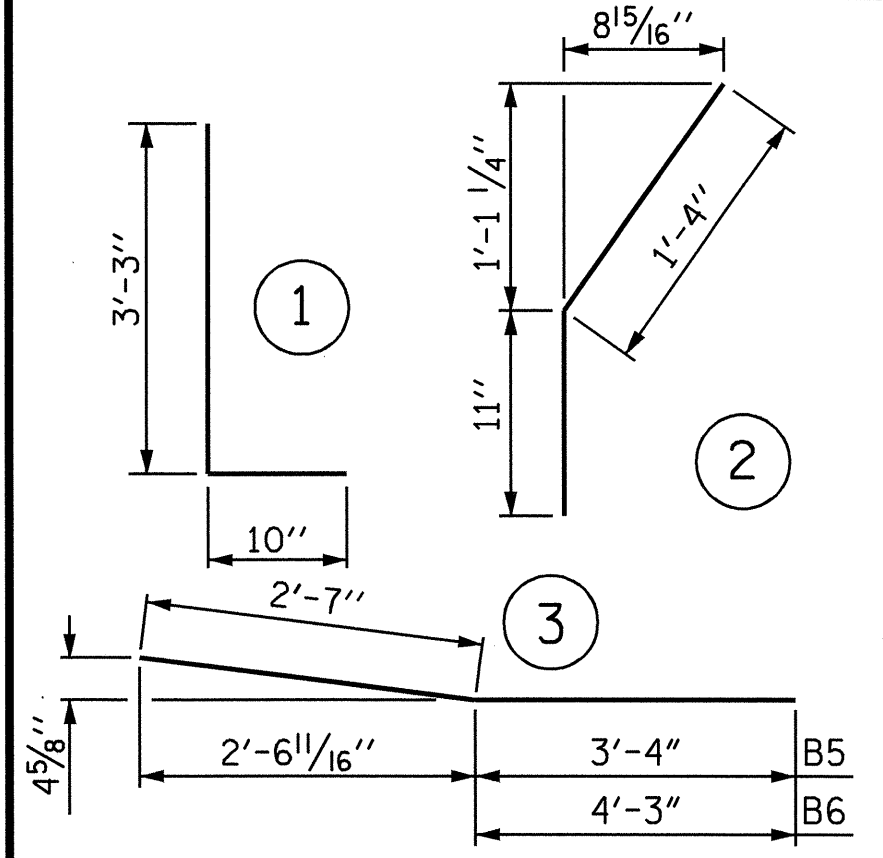
BAR	NO.	SIZE	TYPE	LENGTH	WEIGHT
*A1	23	#5	STR	44'-7"	1070
A2	48	#4	STR	23'-3"	745
*B1	78	#6	STR	11'-2"	1308
B2	78	#8	STR	11'-8"	2430
*B3	7	#5	STR	11'-9"	86
*B4	7	#5	STR	11'-3"	82
*B5	1	#5	STR	5'-11"	6
*B6	1	#5	STR	6'-10"	7
*S1	48	#5	STR	3'-3"	163
*S2	48	#5	1	4'-1"	204
*S3	20	#5	2	2'-3"	47

REINFORCING STEEL	LBS.	3175
*EPOXY COATED REINFORCING STEEL	LBS.	2973

CLASS AA CONCRETE BREAKDOWN

POUR 1 SLAB	C. Y.	20.5
POUR 2 RAIL	C. Y.	2.1
CLASS AA CONCRETE	C. Y.	22.6

BAR TYPES



ALL BAR DIMENSIONS ARE OUT TO OUT
* THESE BARS ARE EPOXY COATED.
1'-9" SPLICE LENGTH FOR #4 A2

PROJECT NO. B-3664
HENDERSON COUNTY
STATION: 20+95.00-L-

SHEET 1 OF 3

STATE OF NORTH CAROLINA
DEPARTMENT OF TRANSPORTATION
RALEIGH
STANDARD
BRIDGE APPROACH SLAB
FOR FLEXIBLE PAVEMENT
WITH BARRIER RAIL

REVISIONS						SHEET NO.
NO.	BY:	DATE:	NO.	BY:	DATE:	S-25
1			3			TOTAL SHEETS 27
2			4			



ASSEMBLED BY: CR YARBROUGH DATE: 03/05
CHECKED BY: V. NGUYEN DATE: 04/05
DRAWN BY: LES 8/01 REV. 5/7/03 RWW/JTE
CHECKED BY: RDR 8/01