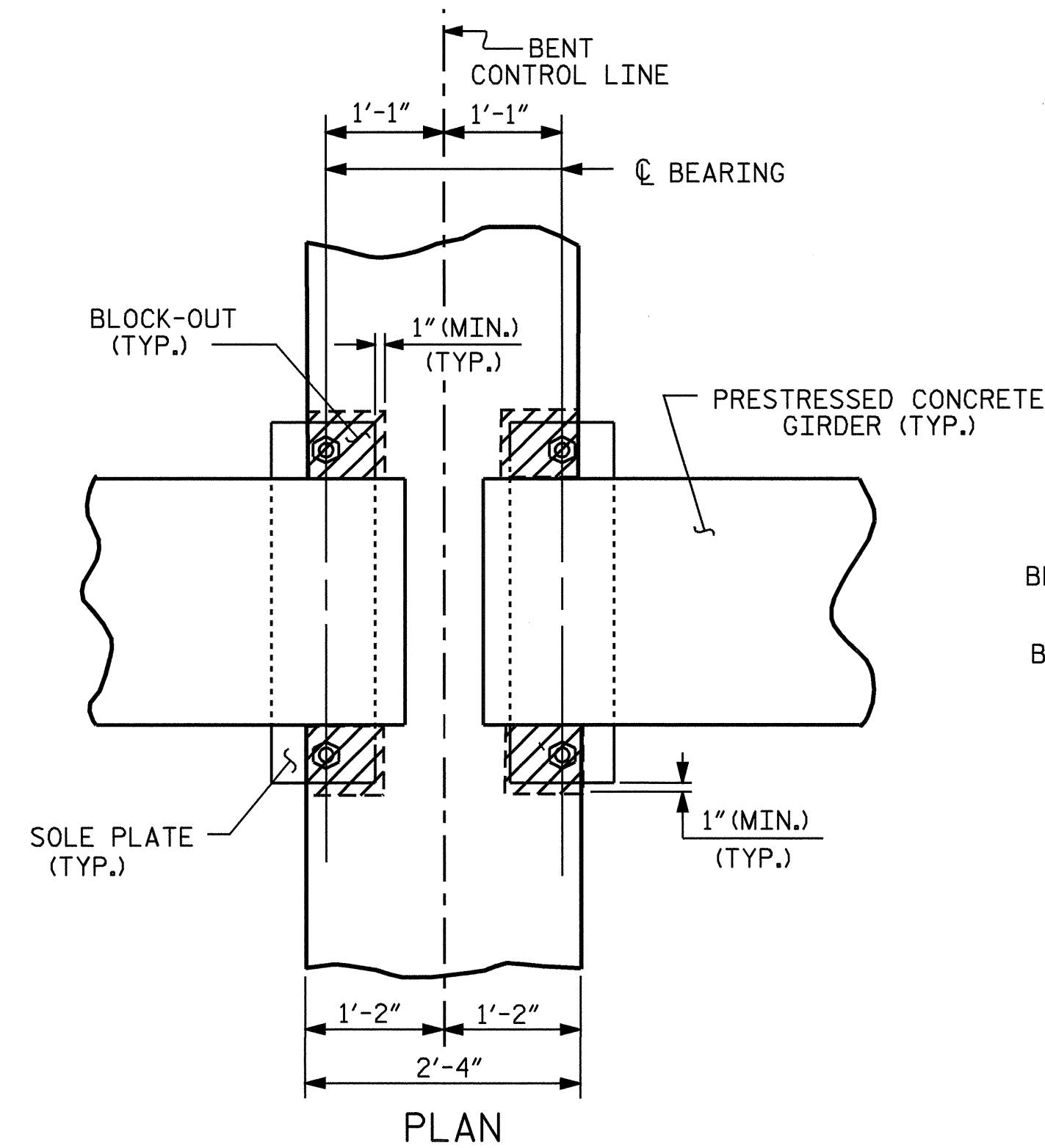
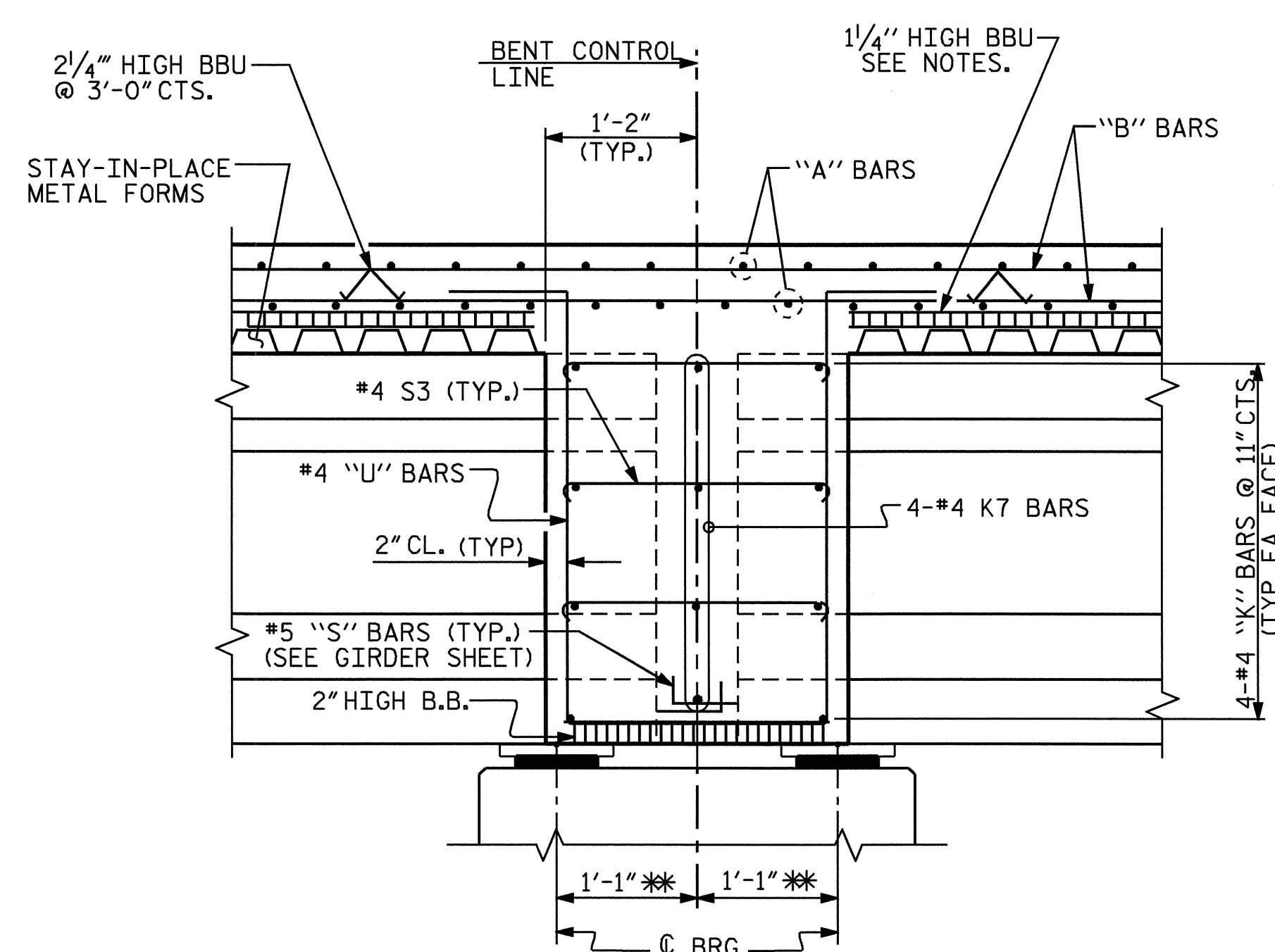
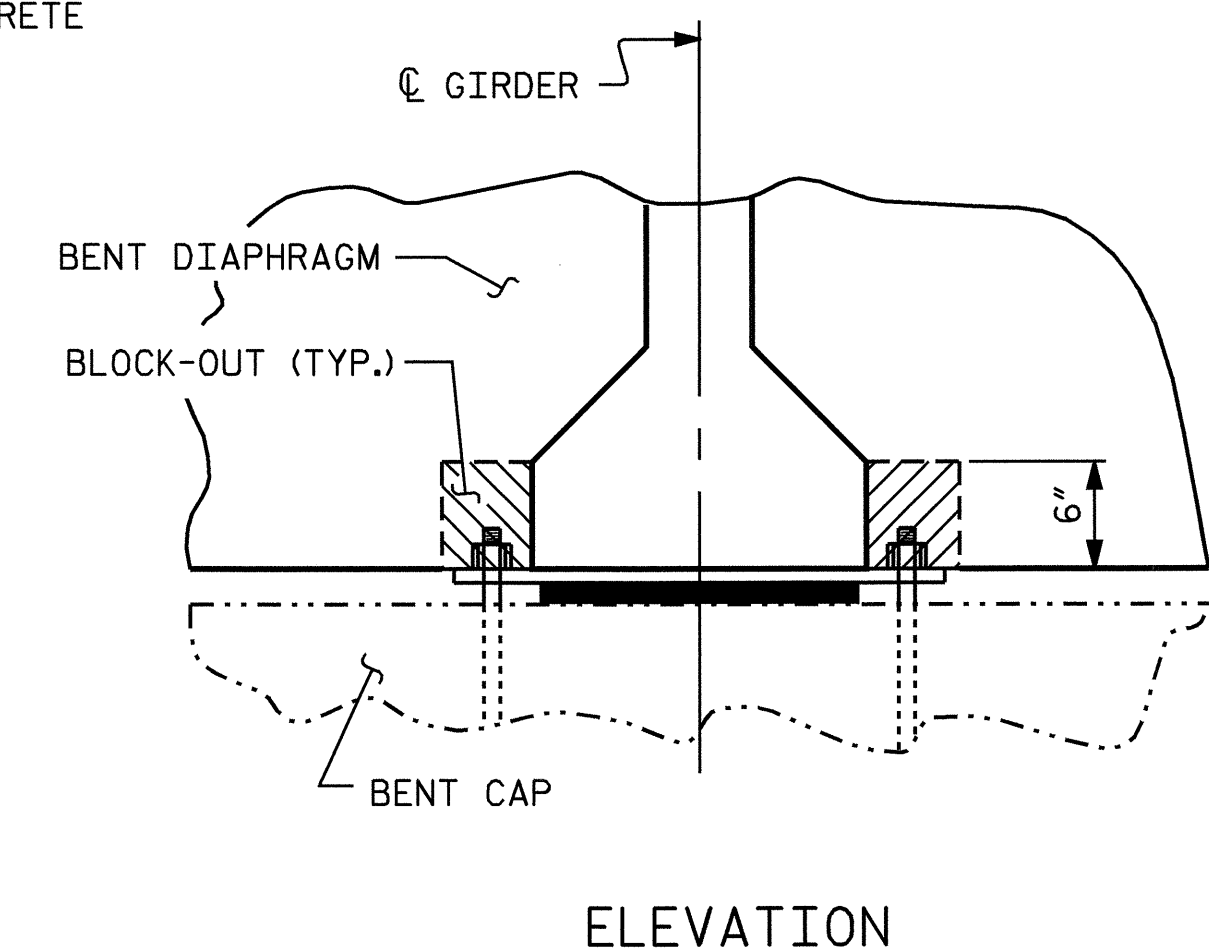


SECTION THRU
END BENT DIAPHRAGMS

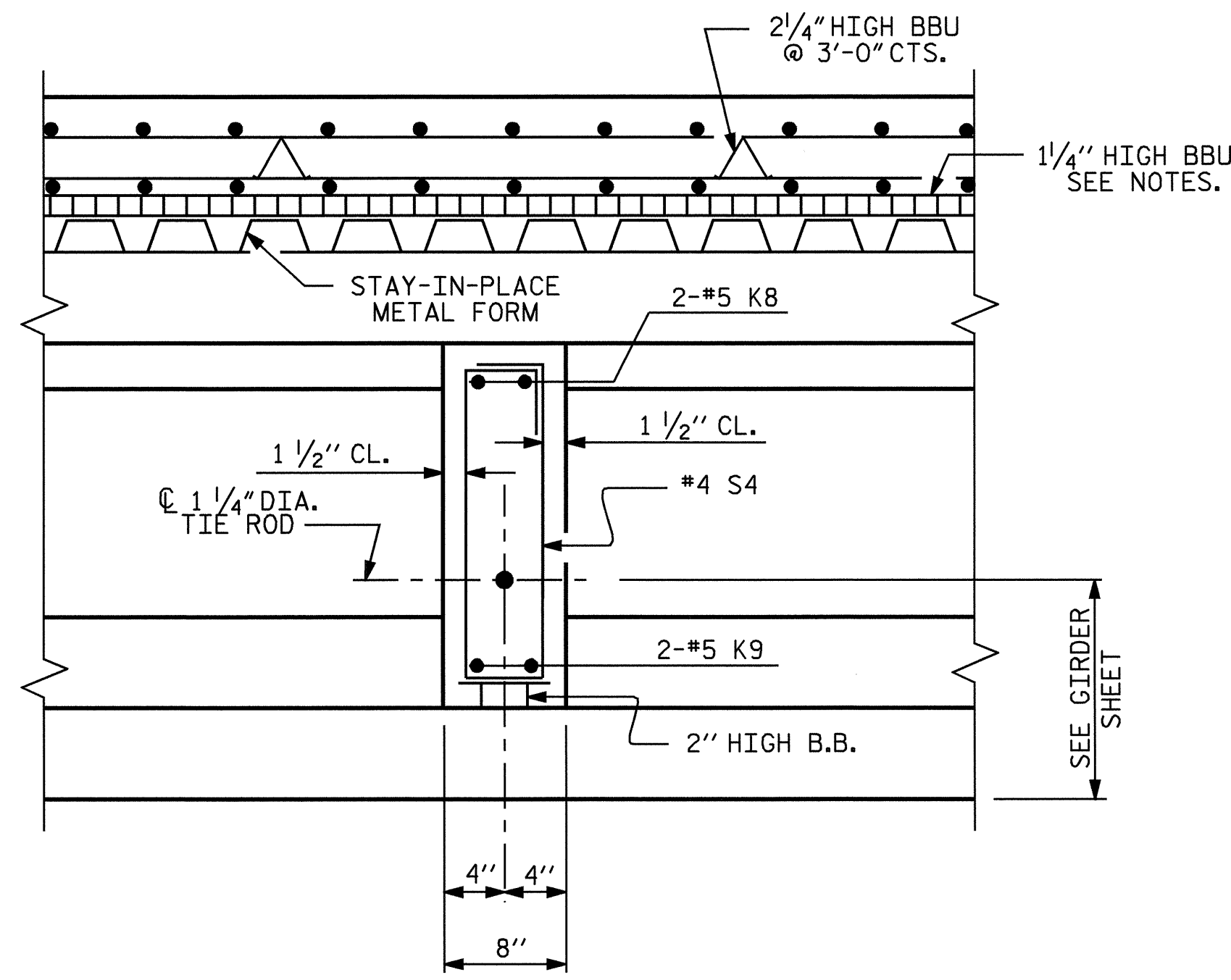
*5 "G" BAR MAY BE SHIFTED SLIGHTLY, AS NECESSARY,
TO CLEAR REINFORCING STEEL AND STIRRUPS.



BENT DIAPHRAGM BLOCK-OUT DETAIL
TYPICAL BENTS 1, 2 & 3

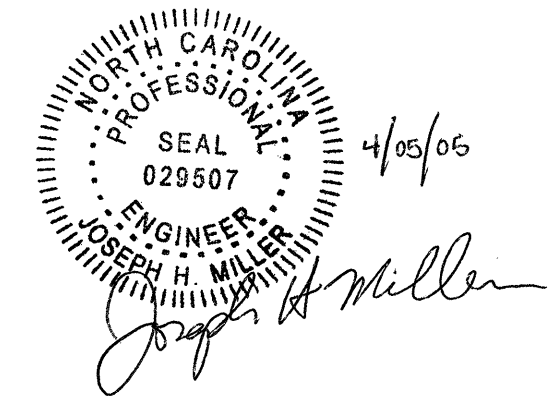


SECTION THRU
BENT DIAPHRAGMS
* ALONG CL. GIRDER



SECTION THRU
INTERMEDIATE DIAPHRAGMS

PROJECT NO. B-3467
HALIFAX COUNTY
STATION: 20+75.00 -L-
SHEET 2 OF 2



STATE OF NORTH CAROLINA
DEPARTMENT OF TRANSPORTATION
RALEIGH
SUPERSTRUCTURE
TYPICAL SECTION

DRAWN BY: B.N. BARODAWALA DATE: 2-7-03
CHECKED BY: J.H. MILLER DATE: 1-10-05

REVISIONS						SHEET NO.
NO.	BY:	DATE:	NO.	BY:	DATE:	S-6
1			3			TOTAL SHEETS
2			4			60