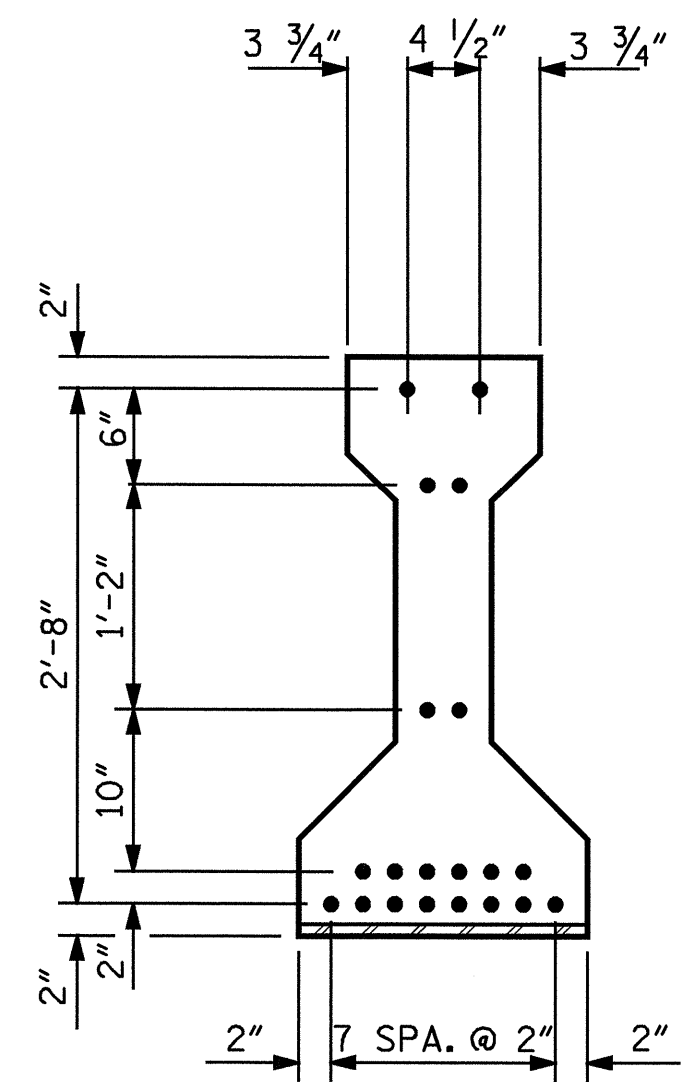
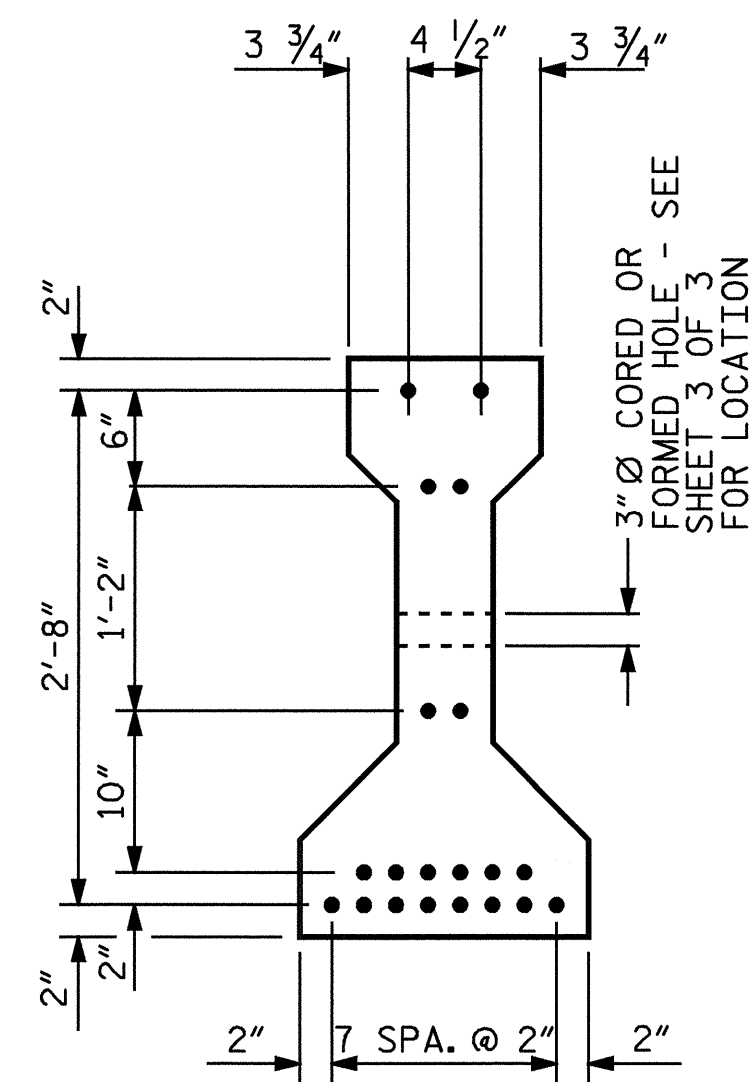


SECTION A-A

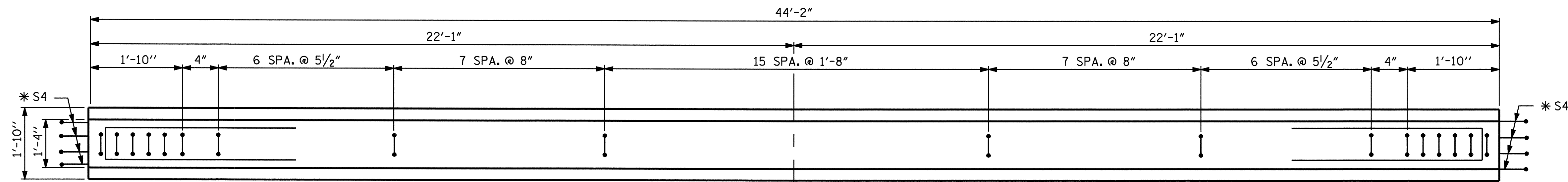


AT END OF GIRDER

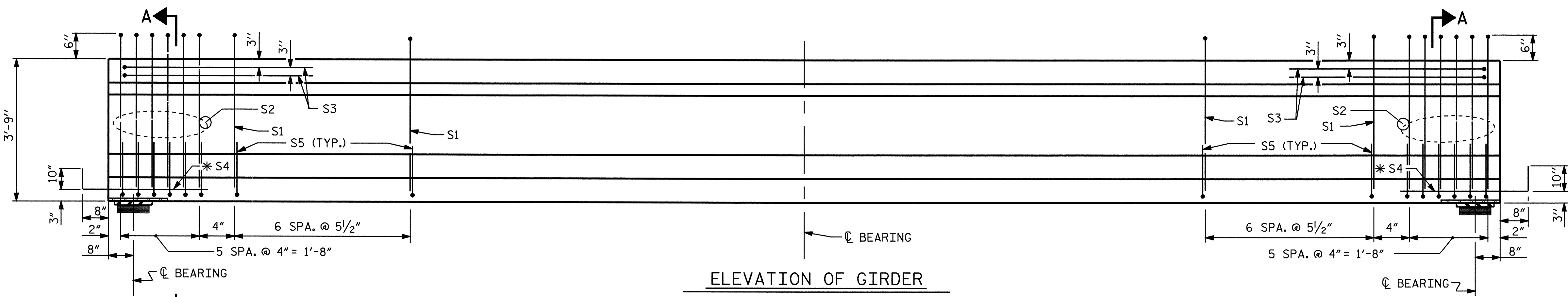


AT C OF GIRDER

1/2" Ø LOW RELAXATION STRAND LAYOUT



PLAN OF GIRDER



ELEVATION OF GIRDER

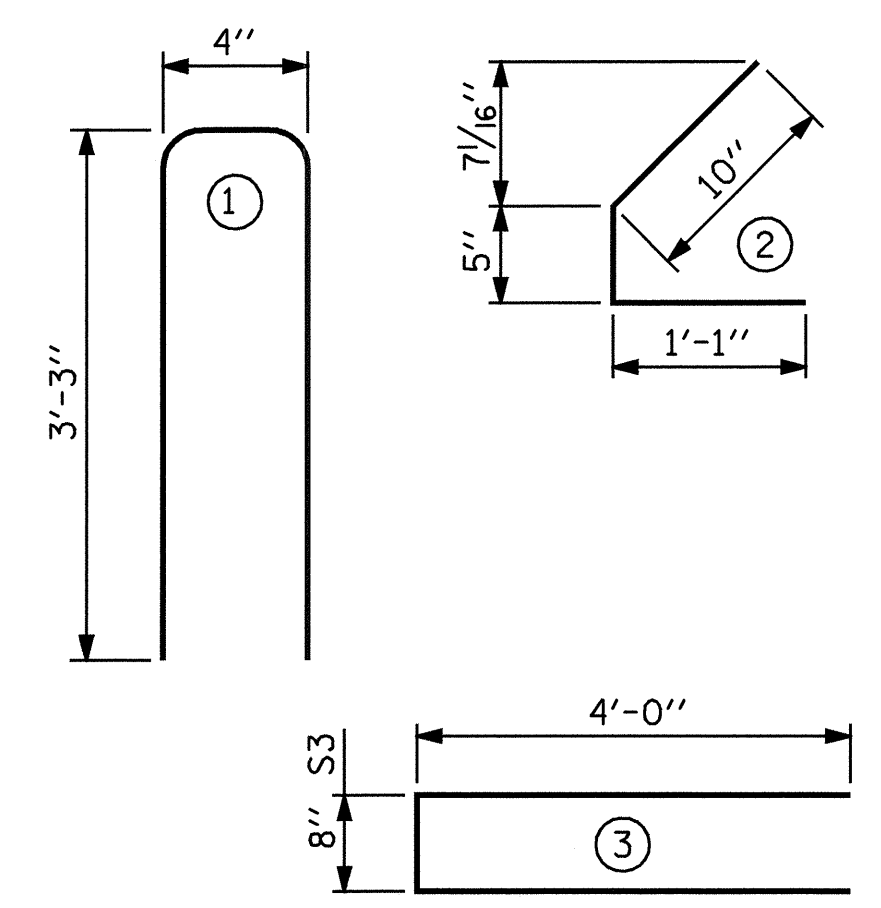
1/2" Ø L. R. GRADE 270 STRANDS		
AREA (SQUARE INCHES)	ULTIMATE STRENGTH (LBS. PER STRAND)	APPLIED PRESTRESS (LBS. PER STRAND)
0.153	41,300	30,980

REINFORCING STEEL FOR ONE GIRDER					
BAR	NUMBER	SIZE	TYPE	LENGTH	WEIGHT
S1	42	#4	1	6'-10"	192
S2	12	#5	1	6'-10"	86
S3	4	#4	3	8'-8"	23
* S4	8	#5	STR	3'-8"	31
S5	52	#4	2	2'-4"	81

* NOTE: S4 BARS SHALL BE BENT BEFORE SHIPMENT. HEAT BENDING SHALL NOT BE ALLOWED.

BAR TYPES

ALL BAR DIMENSIONS ARE OUT-TO-OUT



QUANTITIES FOR ONE GIRDER

	REINFORCING STEEL	6,000 PSI CONCRETE	1/2" Ø L.R. STRANDS
	LB.	C.Y.	No.
	413	4.2	20

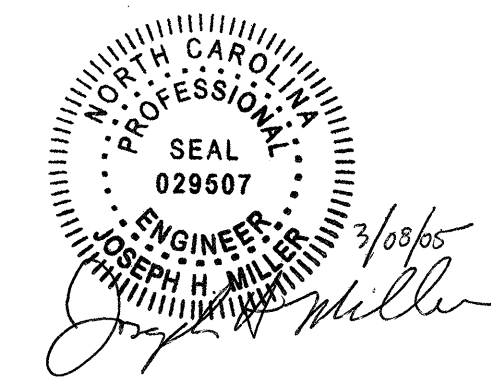
GIRDERS REQUIRED

NUMBER	LENGTH	TOTAL LENGTH
8	44'-2"	353'-4"

PROJECT NO. B-3467
 HALIFAX COUNTY
 STATION: 20+75.00 -L-

SHEET 2 OF 3

STATE OF NORTH CAROLINA
 DEPARTMENT OF TRANSPORTATION
 RALEIGH
 STANDARD
 AASHTO TYPE II
 PRESTRESSED CONCRETE GIRDER
 CONTINUOUS FOR LIVE LOAD
 SPANS B AND C



ASSEMBLED BY : B.N.BARODAWAL	DATE : 2-7-03
CHECKED BY : J.H. MILLER	DATE : 1-10-05
DRAWN BY : ELR	8/91
CHECKED BY : GRP	8/91
REV. 7/17/98	RWW/LES
REV. 8/16/99	RWW/LES
REV. 10/17/00	RWW/LES

REVISIONS						SHEET NO.
NO.	BY:	DATE:	NO.	BY:	DATE:	S-11
1			3			TOTAL SHEETS
2			4			60