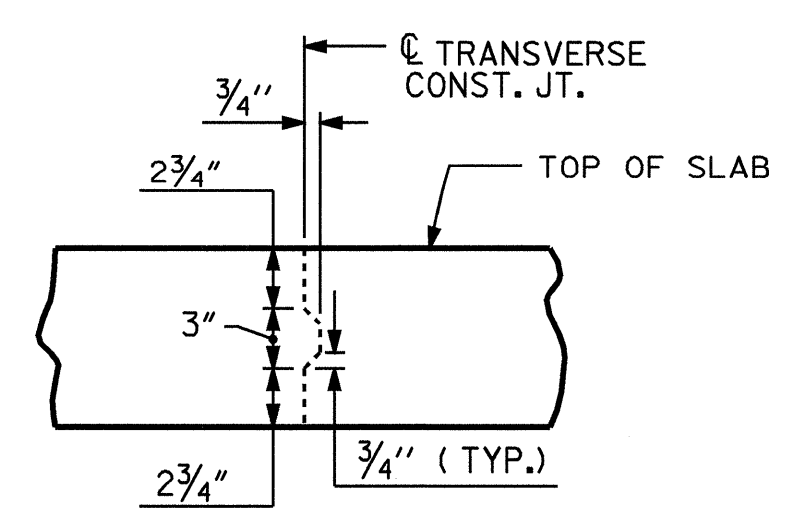
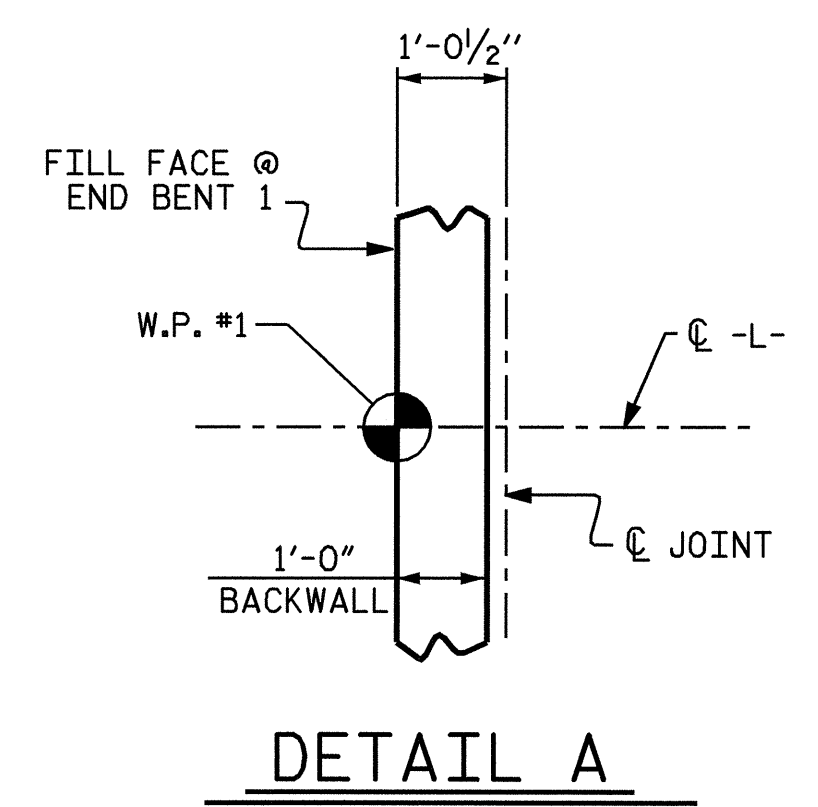


PLAN OF SPANS



NOTE: REINFORCING STEEL IN SLAB NOT SHOWN. LONGITUDINAL REINFORCING STEEL SHALL BE CONTINUOUS THROUGH JOINT.

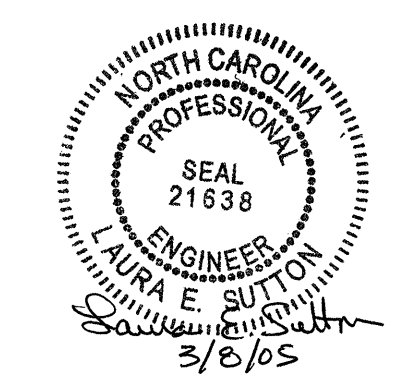
PROJECT NO. B-3467
HALIFAX COUNTY
STATION: 31+50.00 -L-

SHEET 1 OF 2

STATE OF NORTH CAROLINA
DEPARTMENT OF TRANSPORTATION
RALEIGH

SUPERSTRUCTURE
PLAN OF SPANS

REVISIONS						SHEET NO.	
NO.	BY:	DATE:	NO.	BY:	DATE:	S-38	
1			3			TOTALS	
2			4			60	



DRAWN BY: J.L. WALTON DATE: 4/22/03
CHECKED BY: B.N. BARODAWALA DATE: 6/5/03