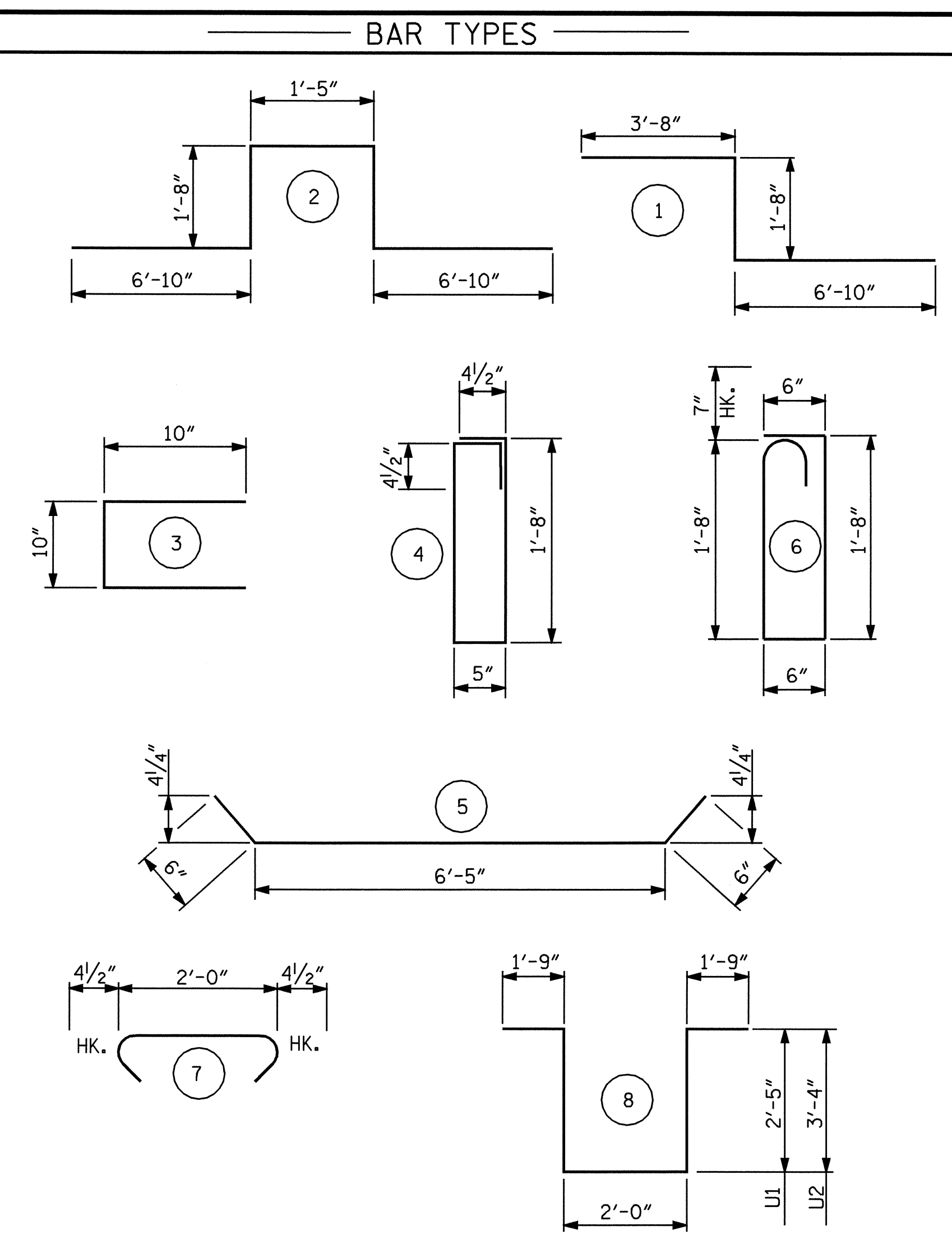


LAYOUT FOR COMPUTING AREA
OF REINFORCED CONCRETE DECK SLAB
(4018 SQ.FT.)

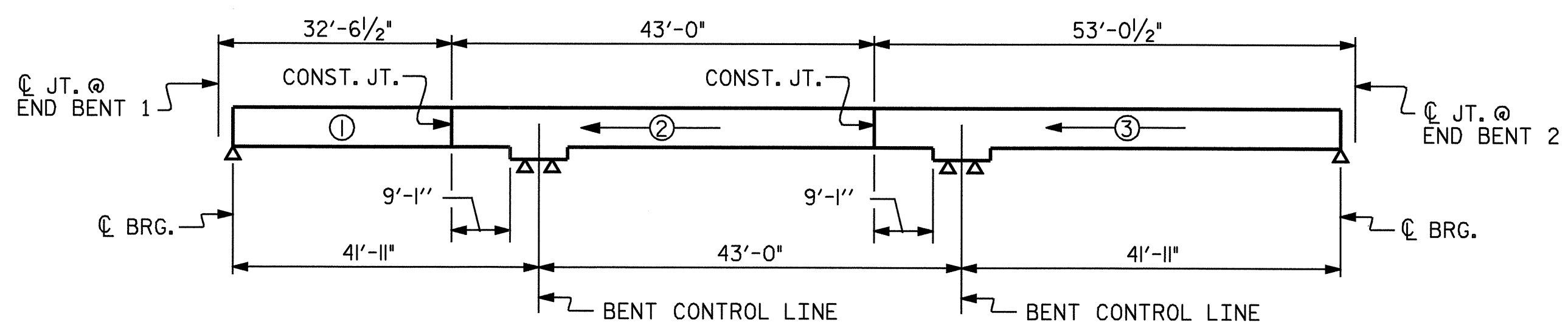
BILL OF MATERIAL						
SPANS A, B, & C						
BAR	NO.	SIZE	TYPE	LENGTH	WEIGHT	
*A1	221	#5	STR	30'-9"	7088	
A2	221	#5	STR	30'-9"	7088	
*B1	44	#4	STR	29'-3"	860	
*B2	82	#5	STR	36'-6"	3122	
*B3	76	#5	STR	13'-6"	1070	
*B4	22	#4	STR	16'-6"	242	
B5	99	#5	STR	44'-2"	4561	
*G1	2	#5	STR	30'-9"	64	
*K1	8	#8	1	12'-2"	260	
*K2	8	#8	2	18'-5"	393	
*K3	6	#6	STR	6'-11"	62	
K4	24	#4	STR	7'-5"	119	
K5	12	#4	STR	5'-3"	42	
K6	12	#4	STR	6'-11"	55	
K7	8	#4	STR	24'-11"	133	
K8	18	#5	STR	6'-11"	130	
K9	18	#5	5	7'-5"	139	
*S1	42	#5	6	4'-11"	215	
*S2	42	#4	3	2'-6"	70	
S3	114	#4	7	2'-9"	209	
S4	63	#4	4	4'-11"	207	
*U1	12	#4	8	10'-4"	83	
*U2	30	#4	8	12'-2"	244	
REINFORCING STEEL				= 12683 LBS.		
*EPOXY COATED REINF. STEEL				= 13773 LBS.		



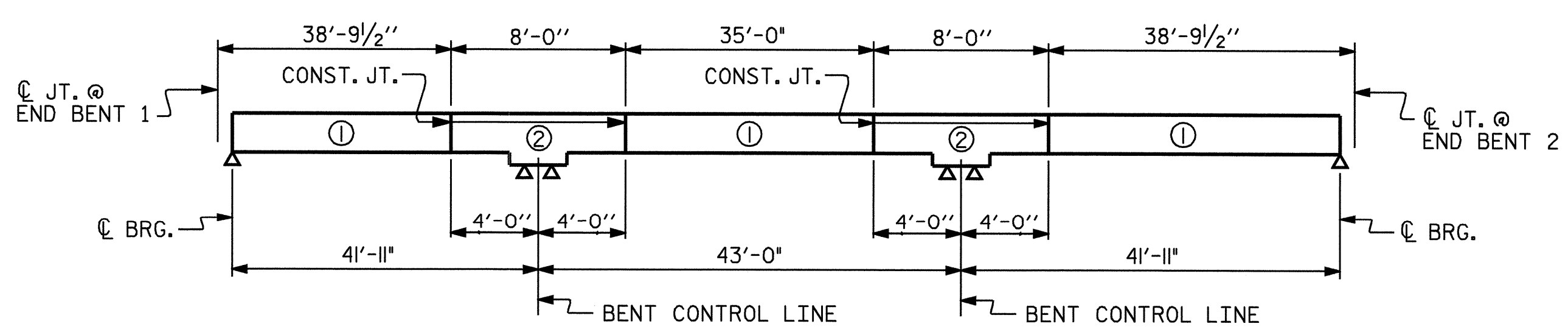
ALL BAR DIMENSIONS ARE OUT TO OUT.

—SUPERSTRUCTURE BILL OF MATERIAL—				
	CLASS AA CONCRETE		REINFORCING STEEL	EPOXY COATED REINFORCING STEEL
	(CU. YDS.)	(POUR #1)(POUR #2)(POUR #3)	(LBS.)	(LBS.)
SPANS A,B & C	32.2	47.1	58.0	12683
TOTAL **	137.3		12683	13773

** QUANTITIES FOR BARRIER RAIL ARE NOT INCLUDED



POURING SEQUENCE



OPTIONAL POURING SEQUENCE

BAR SIZE	SUPERSTRUCTURE REINFORCING STEEL LENGTHS ARE BASED ON THE FOLLOWING MINIMUM SPLICE LENGTHS				PARAPET AND BARRIER RAIL
	SUPERSTRUCTURE EXCEPT APPROACH SLABS, PARAPET, AND BARRIER RAIL		APPROACH SLABS		
	EPOXY COATED	UNCOATED	EPOXY COATED	UNCOATED	
#4	2'-0"	1'-9"	2'-0"	1'-9"	2'-9"
#5	2'-6"	2'-2"	2'-6"	2'-2"	3'-5"
#6	3'-0"	2'-7"	3'-10"	2'-7"	4'-4"
#7	5'-3"	3'-6"			
#8	6'-10"	4'-7"			

GROOVING BRIDGE FLOORS		
BRIDGE DECK	3181	SQ. FT.
APPROACH SLAB	1185	SQ. FT.
TOTAL	4366	SQ. FT.

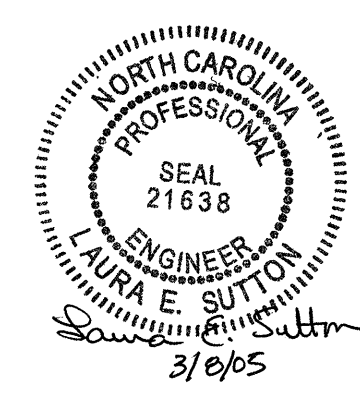
PROJECT NO. B-3467
HALIFAX COUNTY
STATION: 31+50.00 -L-

STATE OF NORTH CAROLINA
DEPARTMENT OF TRANSPORTATION
RALEIGH

SUPERSTRUCTURE
BILL OF MATERIAL

REVISIONS				SHEET NO.	
NO.	BY:	DATE:	NO.	BY:	DATE:
1			3		
2			4		

TOTAL SHEETS: 60



DRAWN BY: J.L. WALTON DATE: 4-22-03
CHECKED BY: B.N. BARODAWALA DATE: 6-5-03