

STATE OF
NORTH CAROLINA
DEPT. OF TRANSPORTATION
DIVISION OF HIGHWAYS
RALEIGH, N.C.

ENGLISH DETAIL DRAWING FOR
**DROP INLET INSTALLATION IN
EXPRESSWAY GUTTER**

SHEET 1 OF 1
846D02

STATE OF
NORTH CAROLINA
DEPT. OF TRANSPORTATION
DIVISION OF HIGHWAYS
RALEIGH, N.C.

ENGLISH DETAIL DRAWING FOR
**DROP INLET INSTALLATION IN
EXPRESSWAY GUTTER**

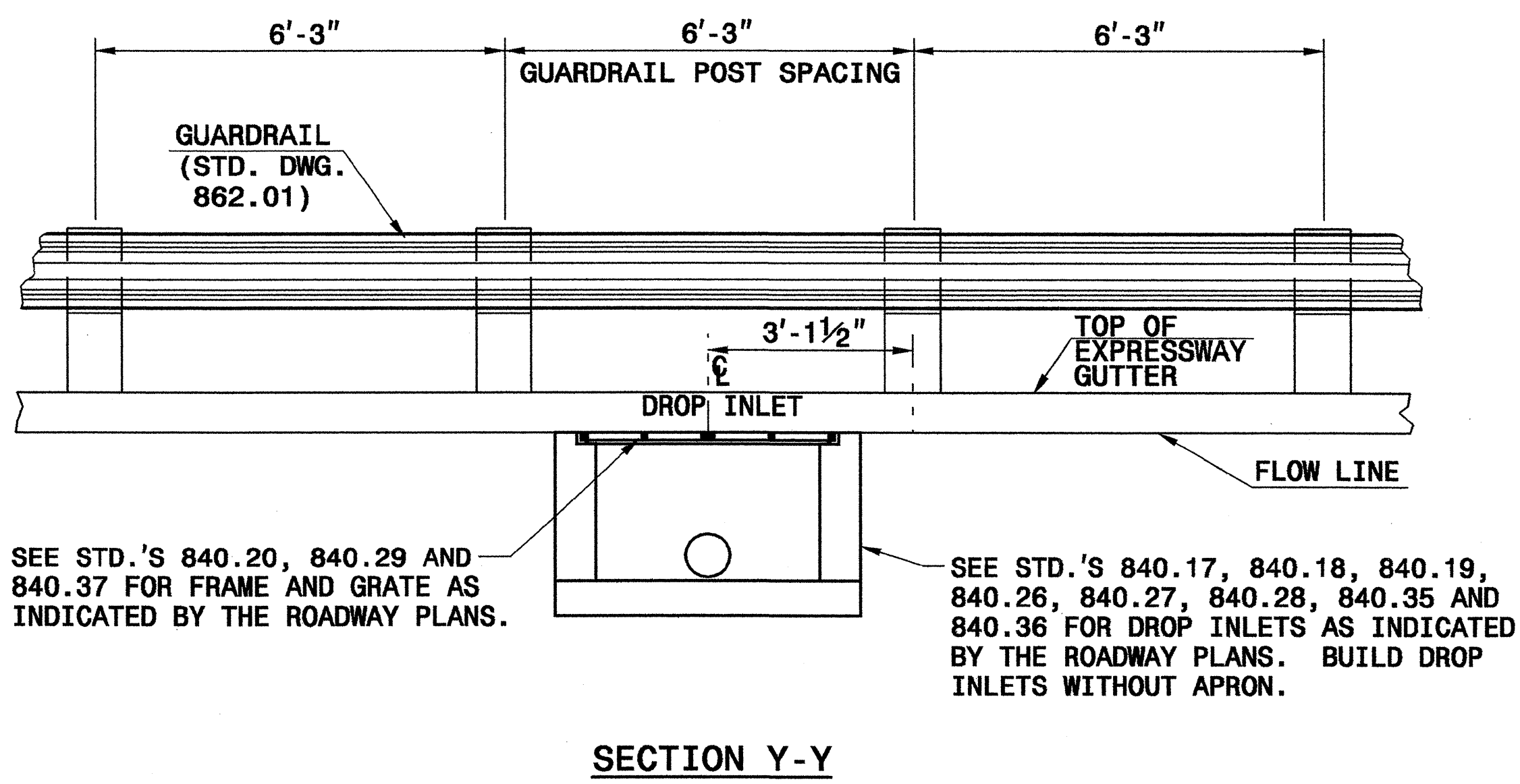
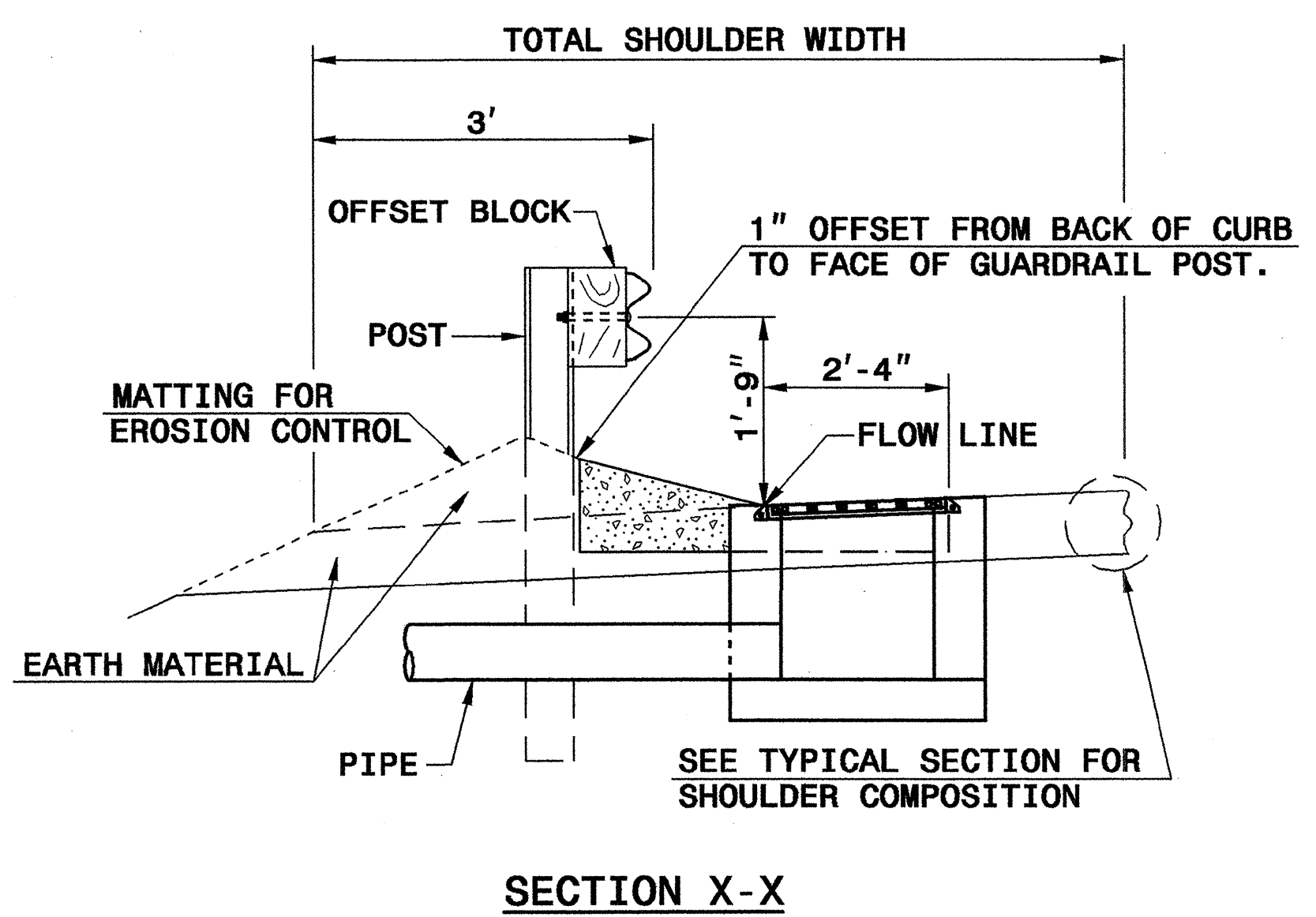
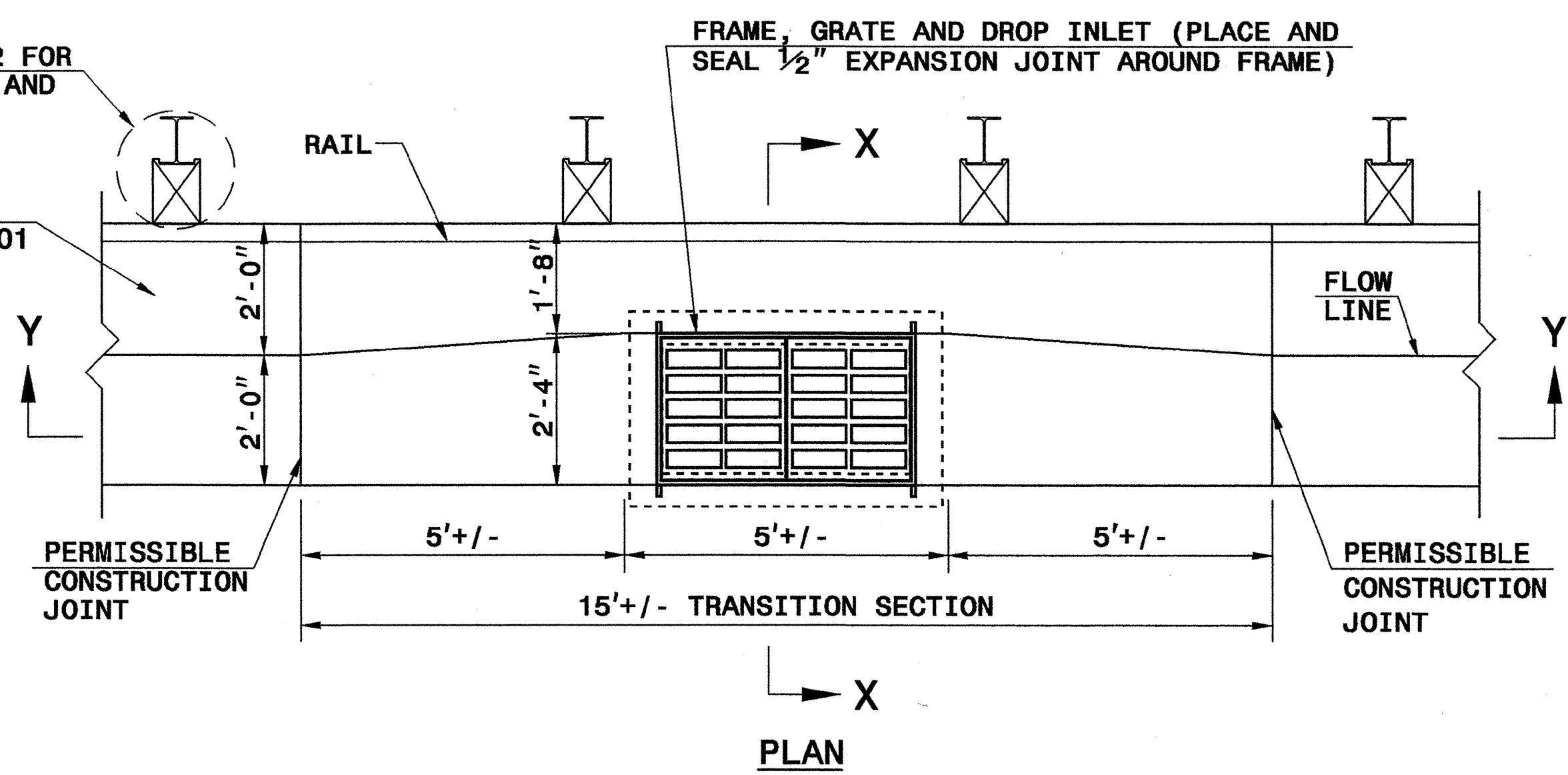
SHEET 1 OF 1
846D02

GENERAL NOTES:
-PAY FOR TRANSITION SECTION AS
CONCRETE EXPRESSWAY GUTTER.
-GUARDRAIL OPTIONAL

SEE STD. 862D02 FOR
GUARDRAIL POST AND
OFFSET BLOCKS

EXPRESSWAY GUTTER
SEE STANDARD 846.01

FRAME, GRATE AND DROP INLET (PLACE AND
SEAL 1/2" EXPANSION JOINT AROUND FRAME)

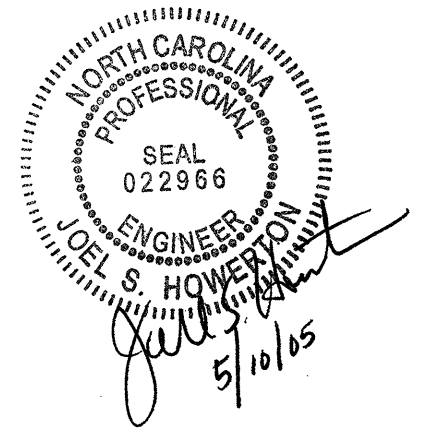


SEE STD.'S 840.20, 840.29 AND
840.37 FOR FRAME AND GRATE AS
INDICATED BY THE ROADWAY PLANS.

SEE STD.'S 840.17, 840.18, 840.19,
840.26, 840.27, 840.28, 840.35 AND
840.36 FOR DROP INLETS AS INDICATED
BY THE ROADWAY PLANS. BUILD DROP
INLETS WITHOUT APRON.

DROP INLET INSTALLATION IN EXPRESSWAY GUTTER

05-OCT-2004 10:58
C:\Special Details\stds\02\stds to Special Details\english\846d02\0846d02.dgn
encward AT D521226



PROJECT SERVICES UNIT
STANDARDS AND SPECIAL DESIGN
Office 919-250-4128 FAX 919-250-4119

SEE PLATE FOR TITLE

ORIGINAL BY: 2002 STANDARDS DATE: 01-16-02
MODIFIED BY: E.E. WARD DATE: 04-07-04
CHECKED BY: DATE:
FILE SPEC.: stds/02stdstodetails/english/846d02.dgn