

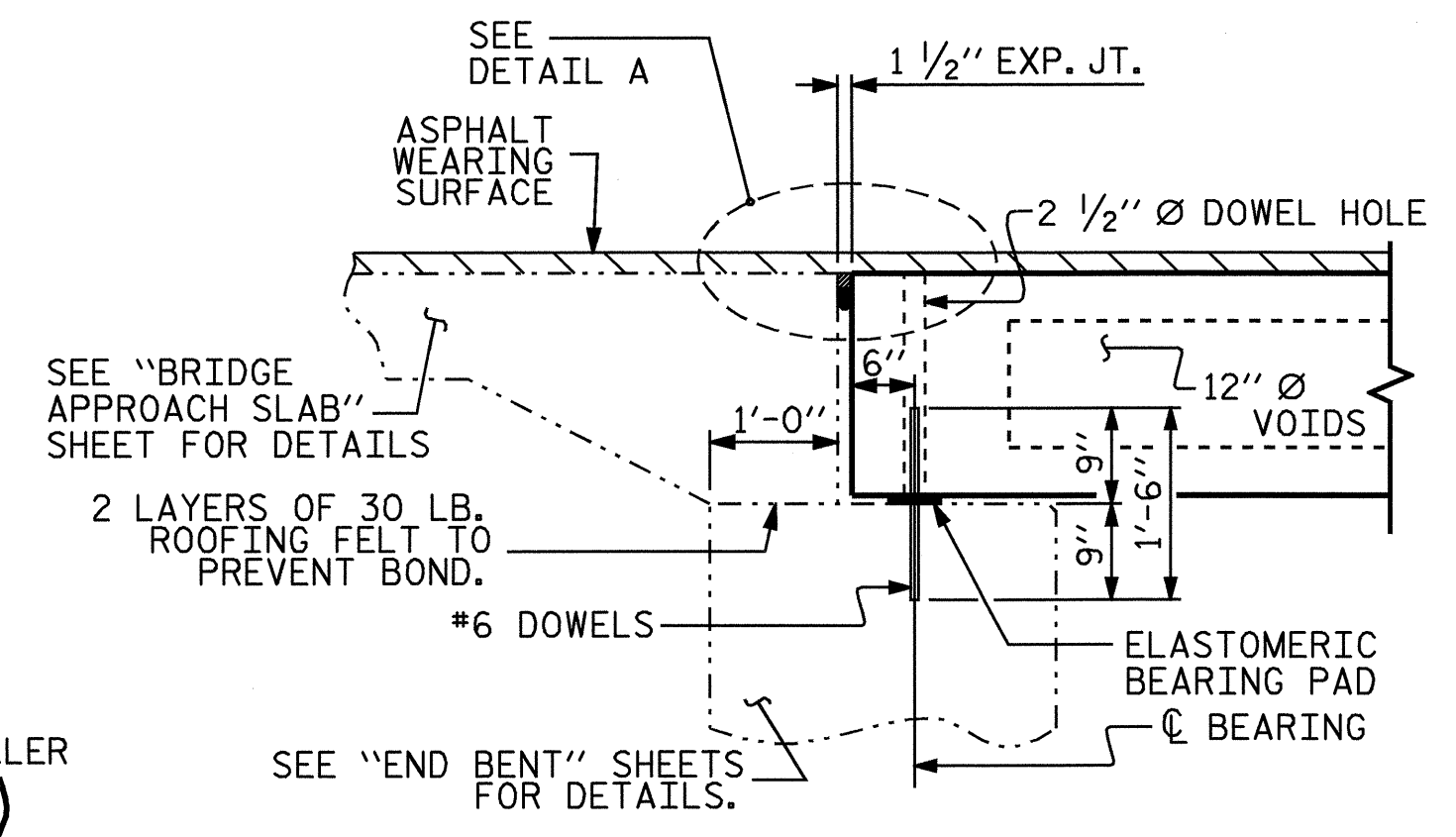
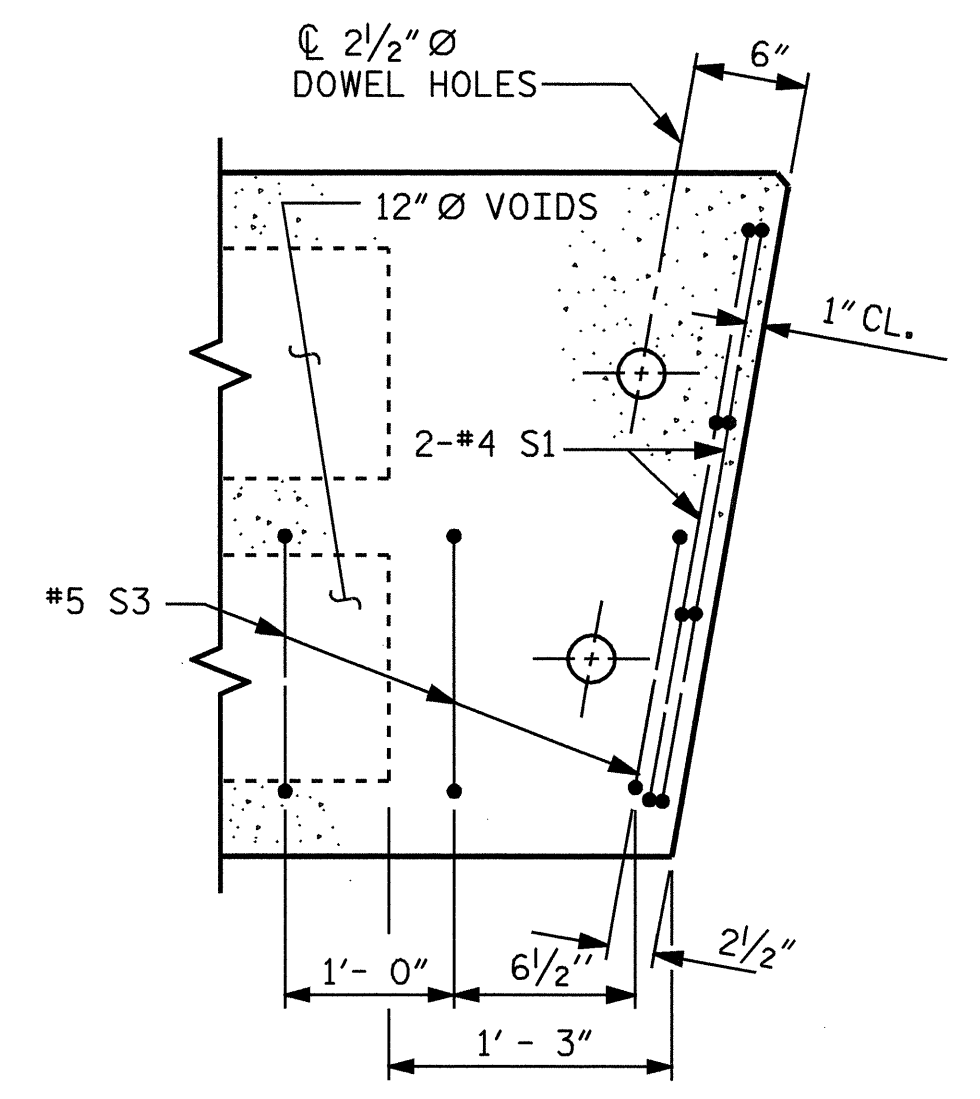
HALF SECTION @ POST TENSIONING LOCATIONS

HALF SECTION @ END BENTS

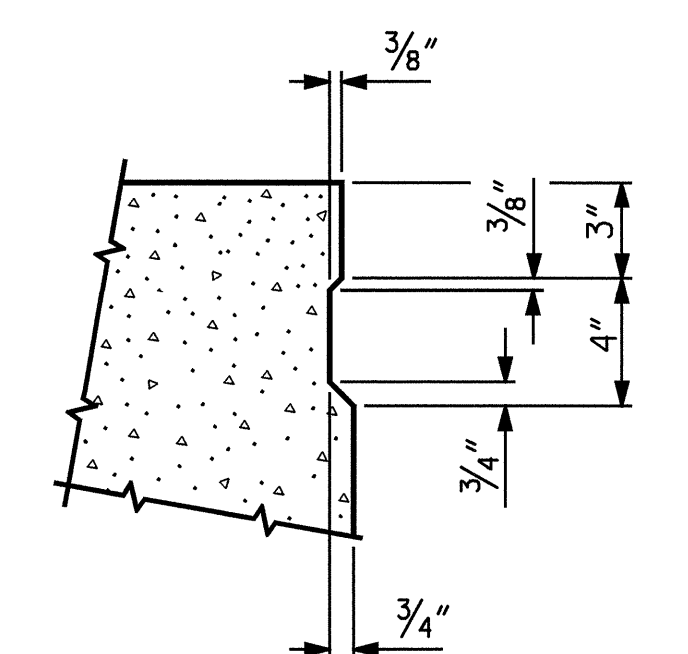
TYPICAL SECTION

PART PLAN-EXTERIOR SECTION

NOTE: EXTERIOR SECTION SHOWN-INTERIOR SECTION SIMILAR EXCEPT OMIT S3 BARS.

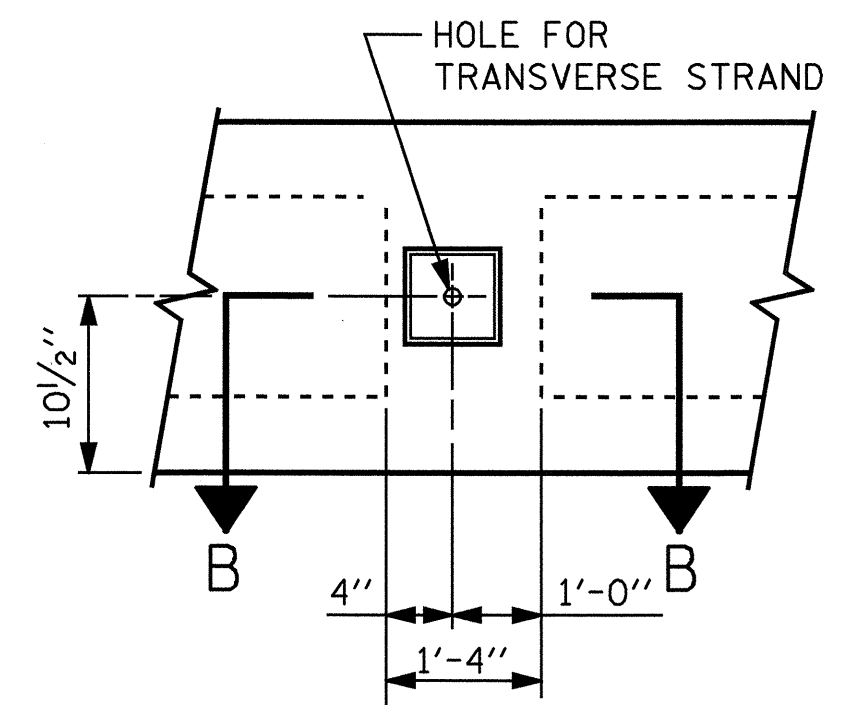


SECTION AT END BENT

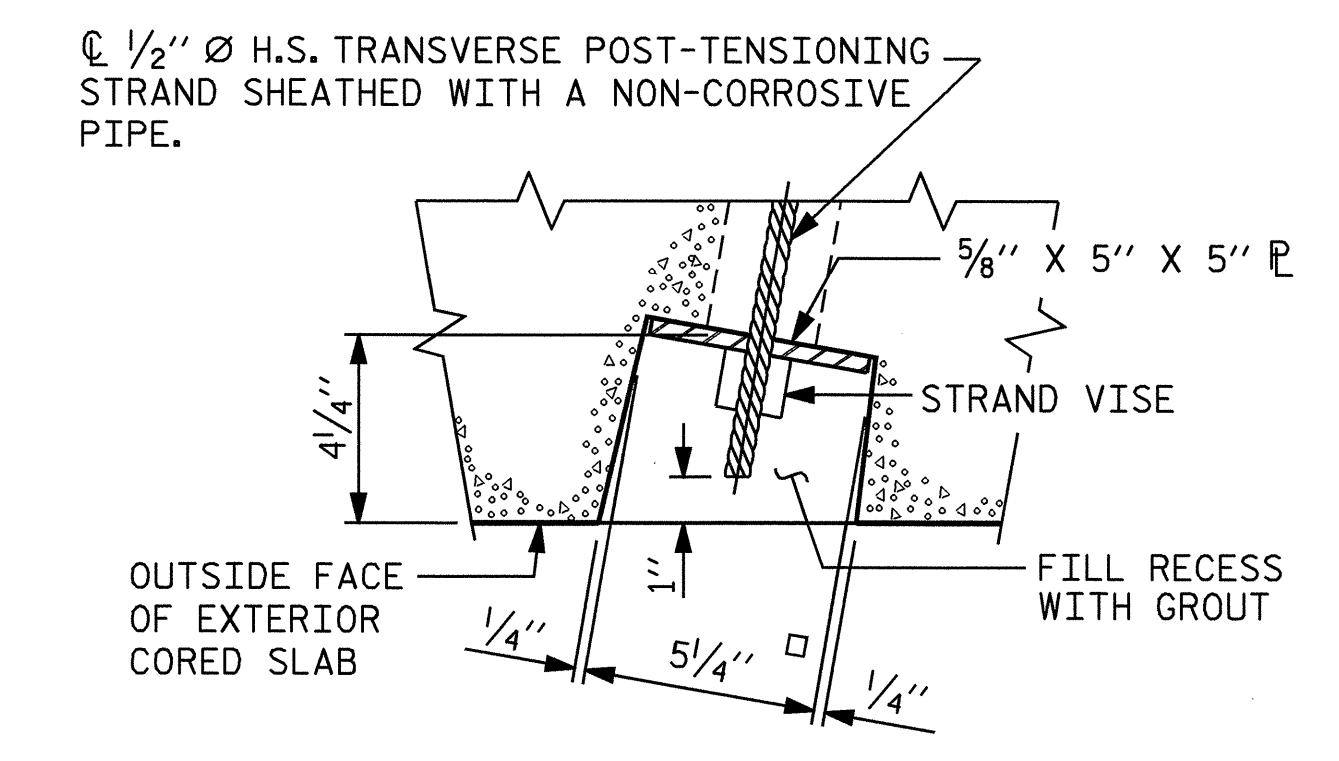


SHEAR KEY DETAIL

NOTE: OMIT SHEAR KEY ON OUTSIDE FACE OF EXTERIOR CORED SLABS.



ELEVATION VIEW



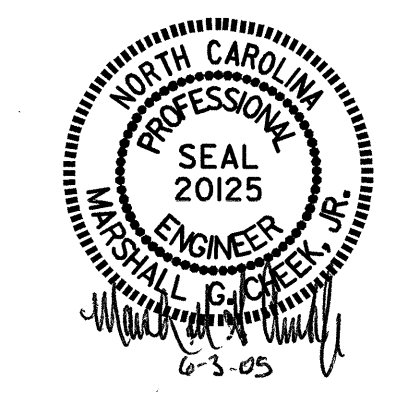
SECTION B-B

GRouted RECESS AT END OF POST-TENSIONED STRAND CORED SLABS

PROJECT NO. B-3839  
 FORSYTH COUNTY  
 STATION: 19+64.00 -L-

SHEET 1 OF 3

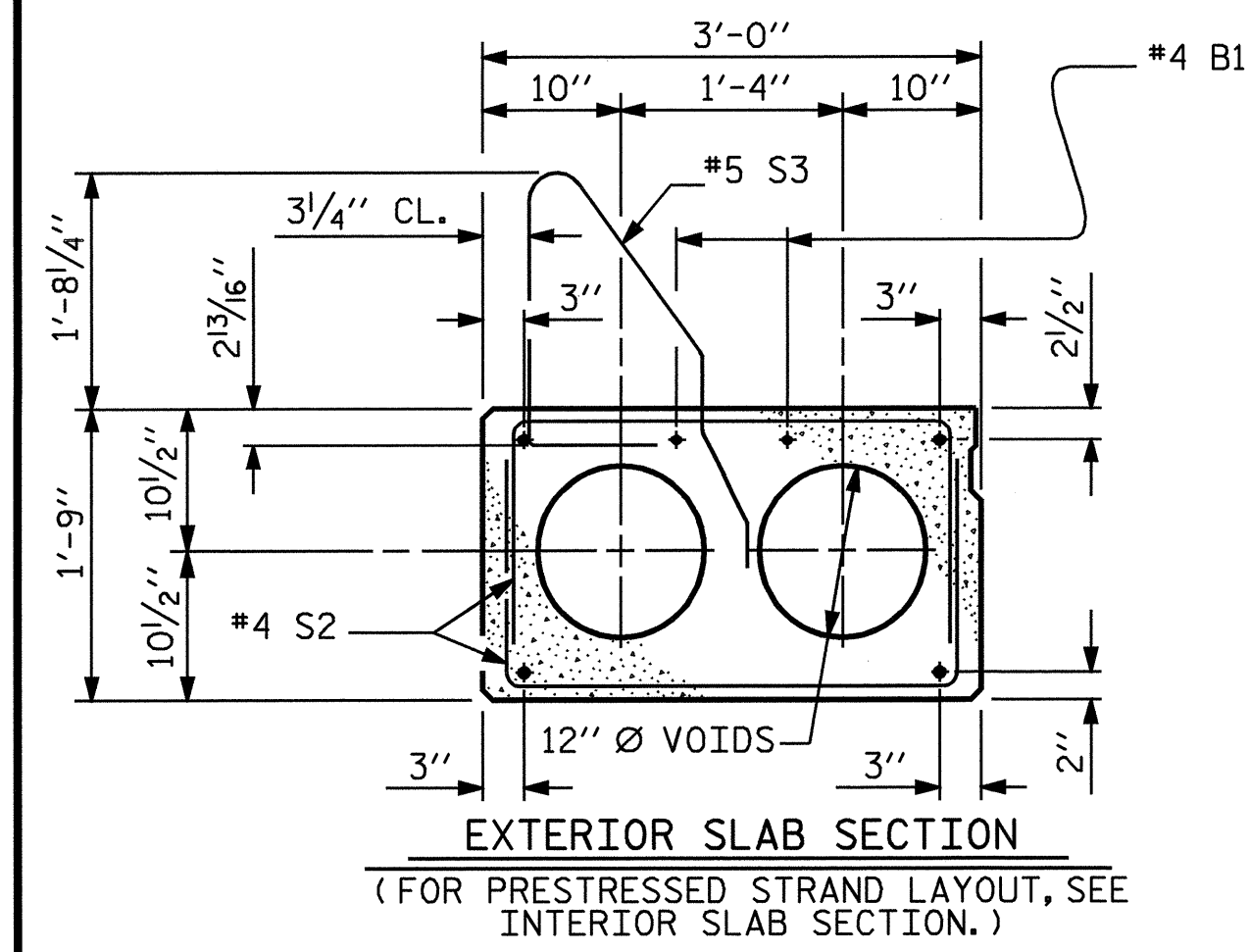
STATE OF NORTH CAROLINA  
 DEPARTMENT OF TRANSPORTATION  
 RALEIGH  
 3'-0" X 1'-9"  
 PRESTRESSED CONCRETE  
 CORED SLAB UNIT



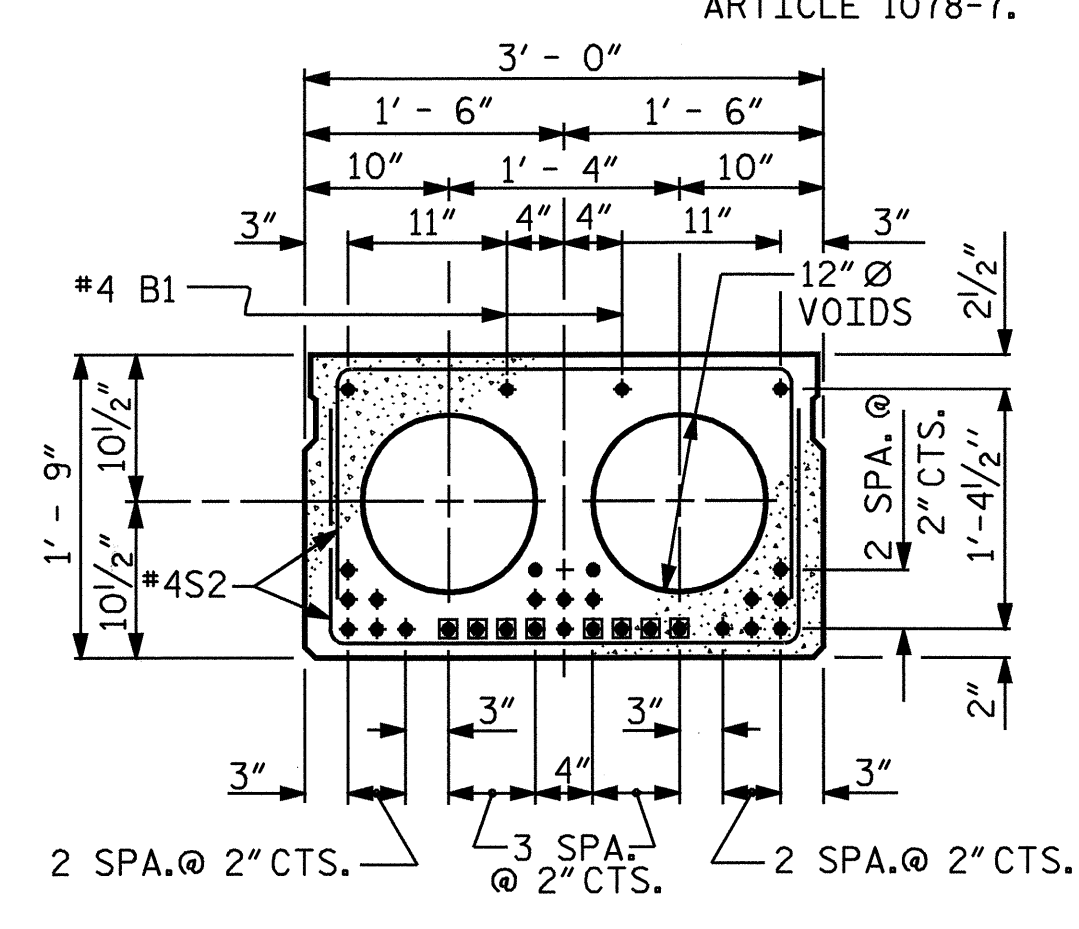
REVISIONS						SHEET NO.
NO.	BY:	DATE:	NO.	BY:	DATE:	S-4
1			3			TOTAL SHEETS
2			4			16

ASSEMBLED BY :	M. POOLE	DATE :	4/2004
CHECKED BY :	QT NGUYEN	DATE :	9/2004
DRAWN BY :	WJH 4/89	REV. 8/16/99	RWW/LES
CHECKED BY :	FCJ 5/89	REV. 10/17/00	RWW/LES
		REV. 7/10/01R	RWW/LES

□ BOND SHALL BE BROKEN ON THESE STRANDS FOR A DISTANCE OF 5'-0" FROM END OF CORED SLAB UNIT, SEE STANDARD SPECIFICATIONS ARTICLE 1078-7.

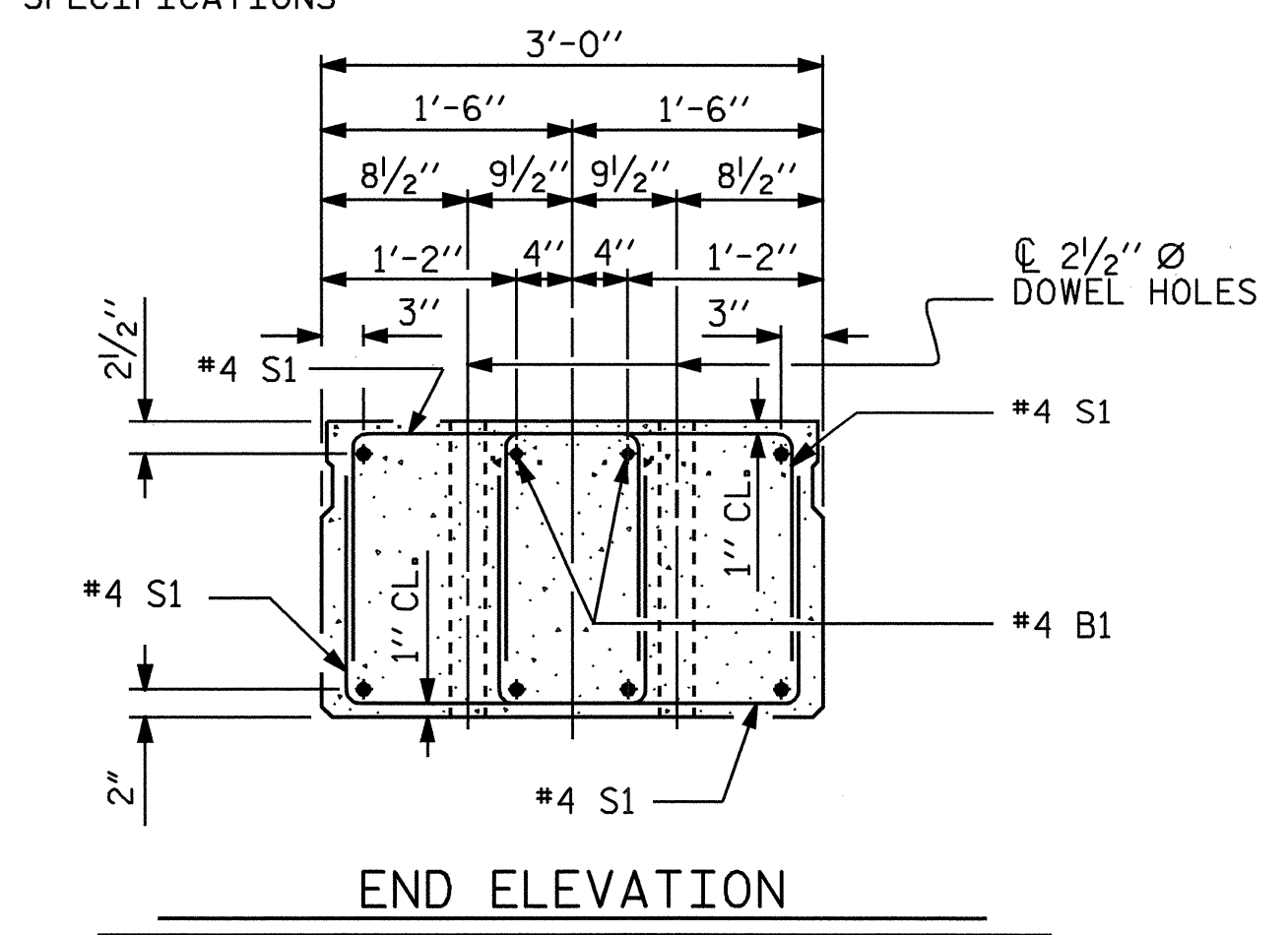


EXTERIOR SLAB SECTION  
 (FOR PRESTRESSED STRAND LAYOUT, SEE INTERIOR SLAB SECTION.)



INTERIOR SLAB SECTION

1/2" Ø LOW RELAXATION STRAND LAYOUT



END ELEVATION

SHOWING PLACEMENT OF DOUBLE STIRRUPS AND LOCATION OF DOWEL HOLES. (STRAND LAYOUT NOT SHOWN). INTERIOR SLAB SECTION SHOWN - EXTERIOR SLAB SECTION SIMILAR EXCEPT SHEAR KEY LOCATION.