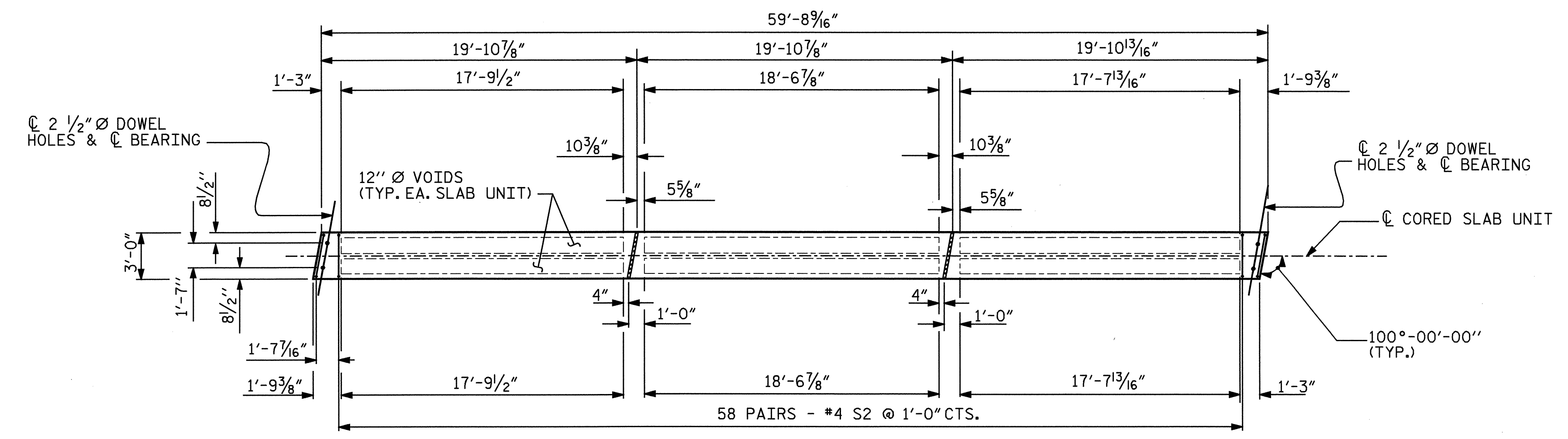


* FOR PLACEMENT OF S1 & S3 BARS, SEE "PART PLAN - EXTERIOR SECTION", SHEET 1 OF 3.

PLAN OF SPAN A



PLAN OF INTERIOR CORED SLAB UNIT - SPAN A

(INTERIOR SLAB UNIT SHOWN, EXTERIOR SLAB UNIT SIMILAR, SEE "PLAN OF SPAN A" FOR ADDITIONAL REINFORCEMENT IN EXTERIOR SLAB UNITS DUE TO BARRIER RAIL)

PROJECT NO. B-3839
FORSYTH COUNTY
 STATION: 19+64.00 -L-
 SHEET 2 OF 3

STATE OF NORTH CAROLINA
 DEPARTMENT OF TRANSPORTATION
 RALEIGH
 3'-0" X 1'-9"
 PRESTRESSED CONCRETE
 CORED SLAB UNIT



| REVISIONS | | | | | | SHEET NO. |
|-----------|-----|-------|-----|-----|-------|--------------|
| NO. | BY: | DATE: | NO. | BY: | DATE: | S-5 |
| 1 | | | 3 | | | TOTAL SHEETS |
| 2 | | | 4 | | | 16 |

DRAWN BY: M. POOLE DATE: 4/2004
 CHECKED BY: QT NGUYEN DATE: 9/2004