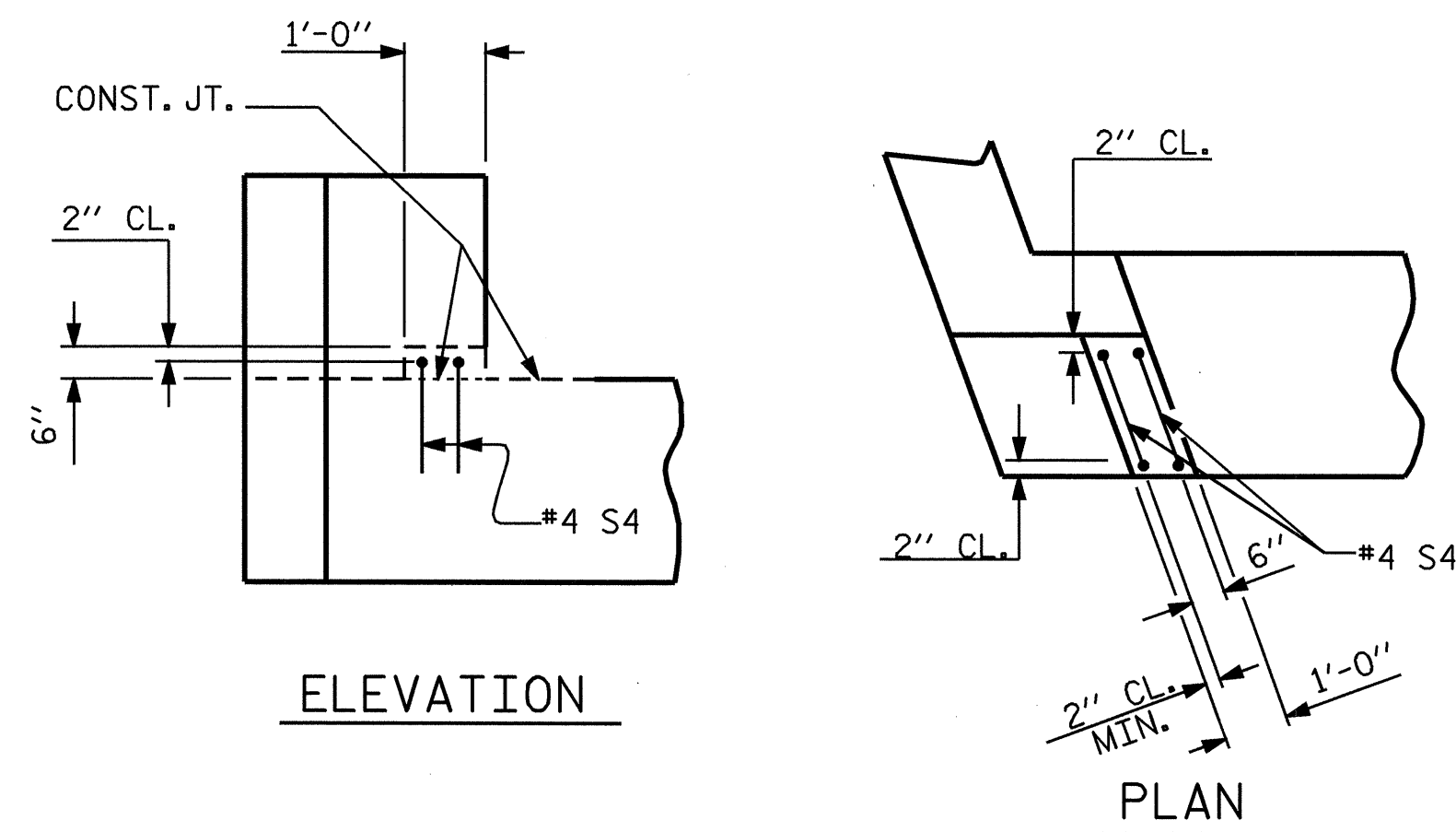


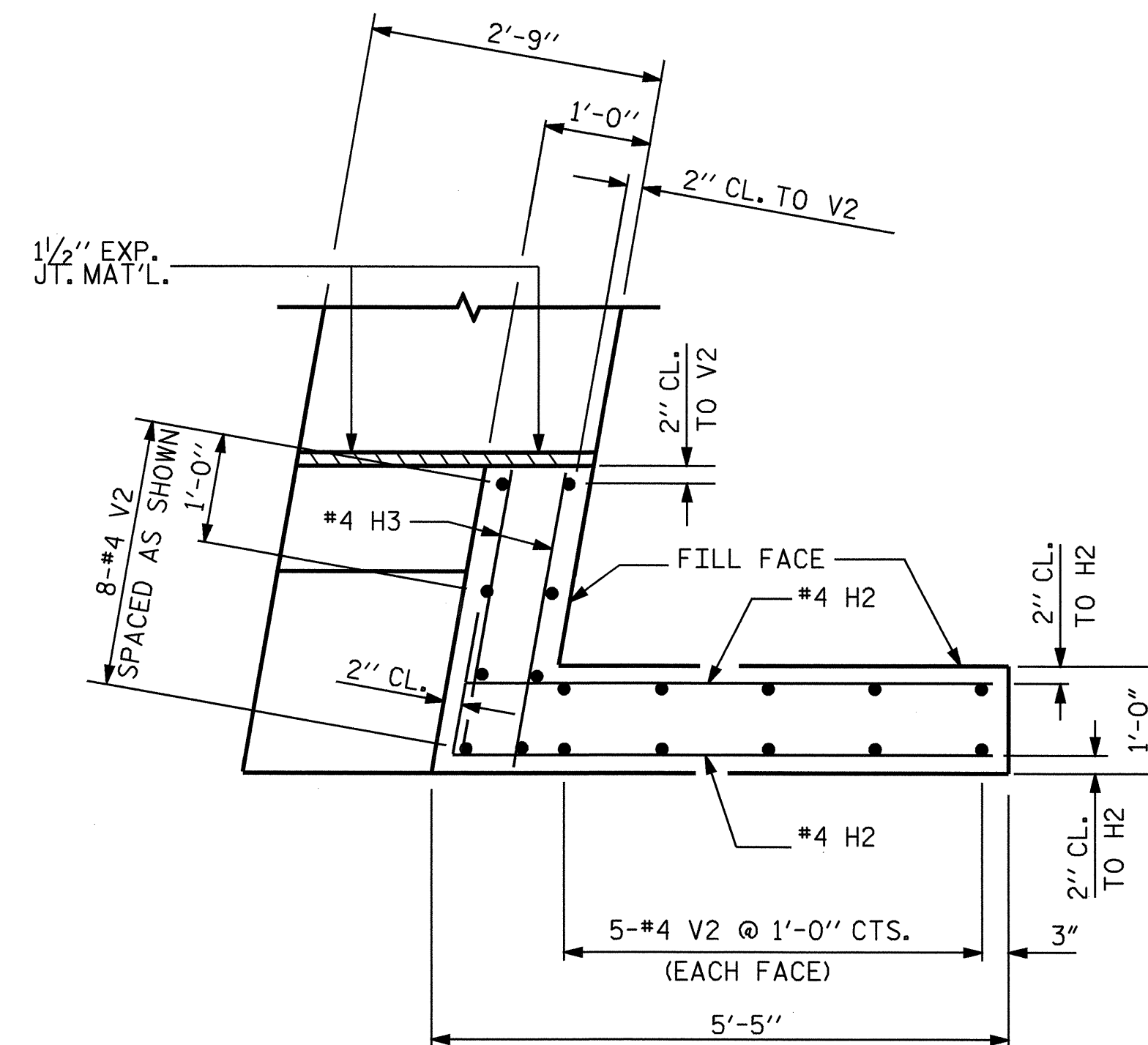
PLAN OF WING - W1



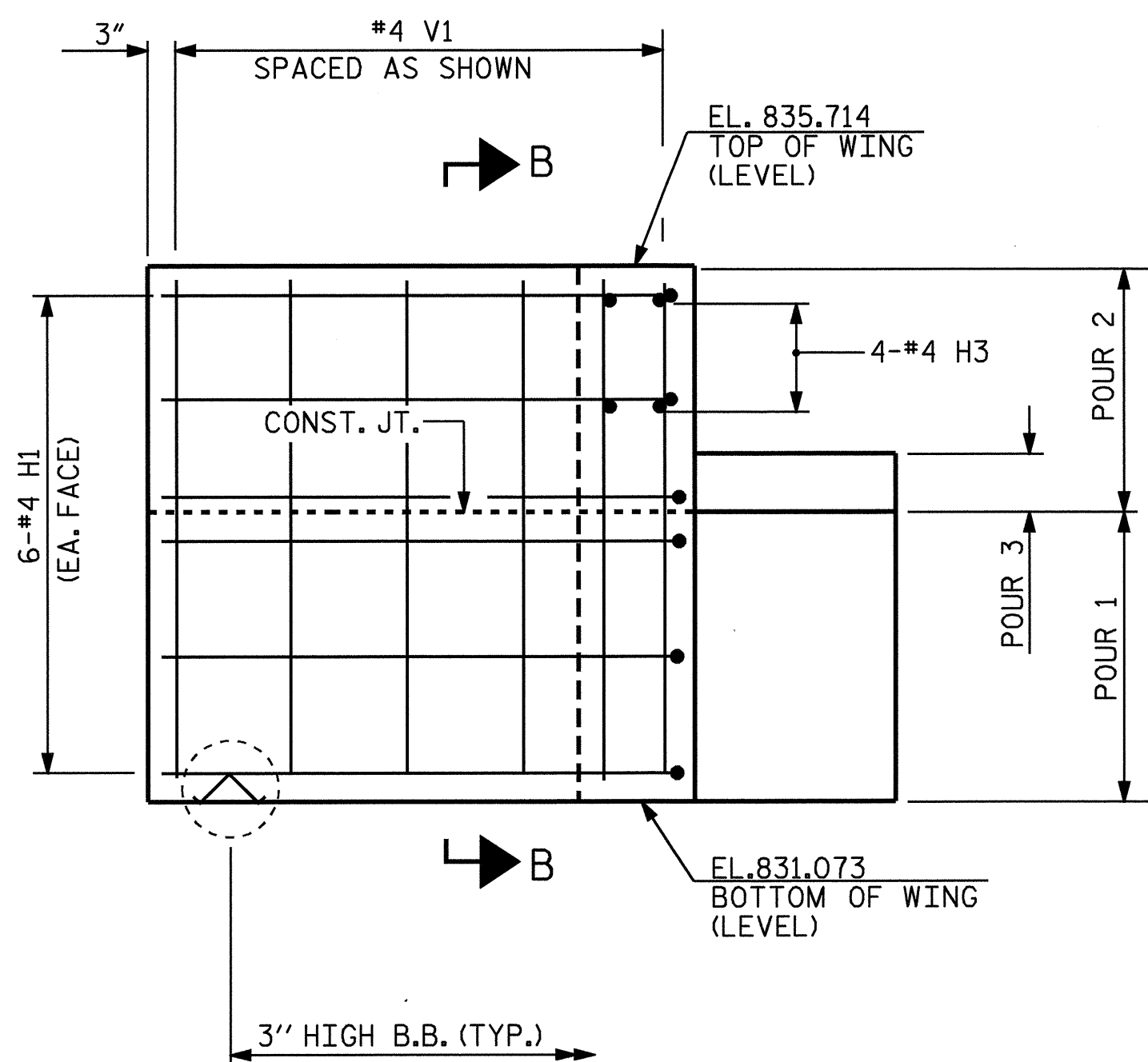
ELEVATION

PLAN

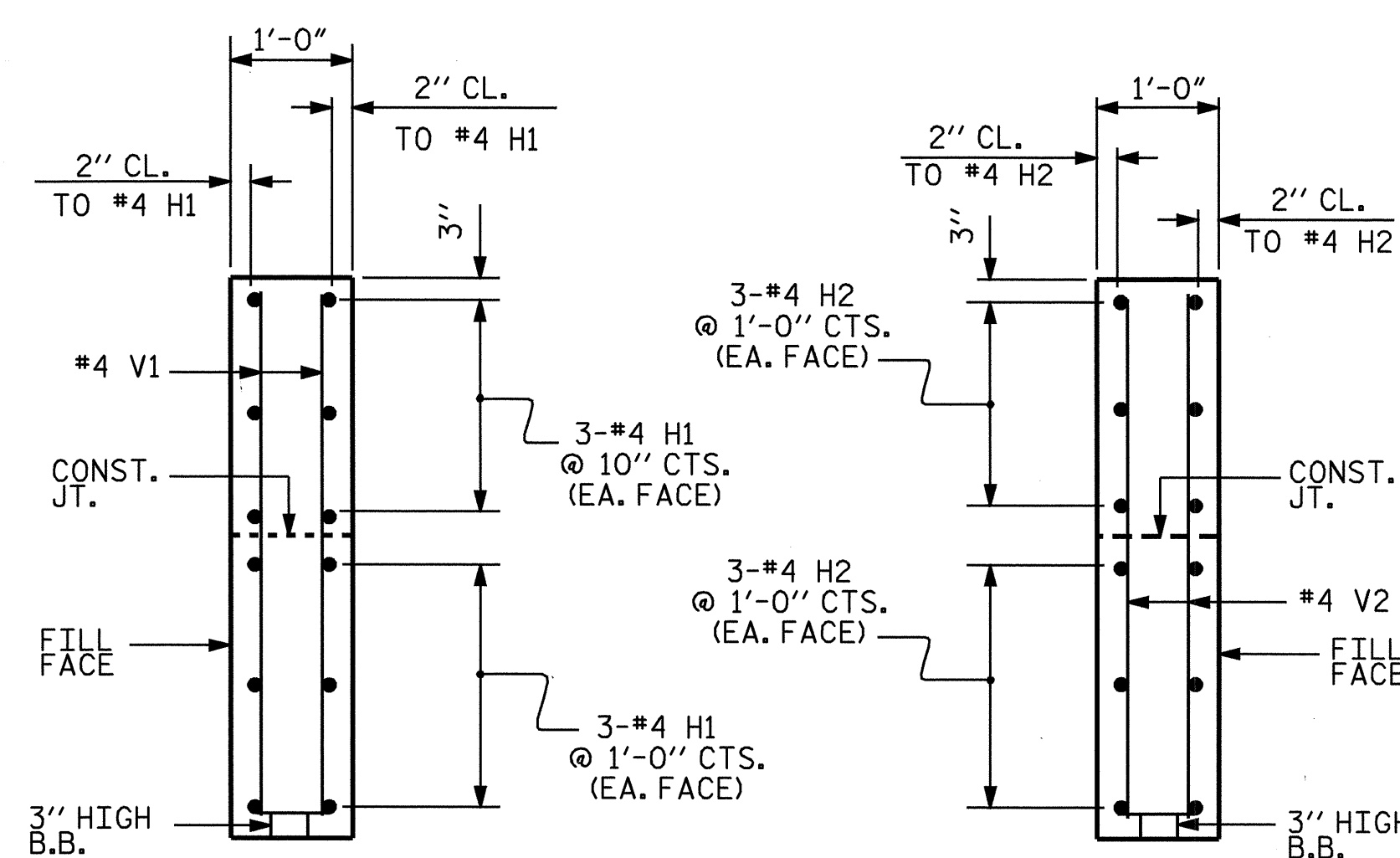
LATERAL GUIDE DETAILS



PLAN OF WING - W2

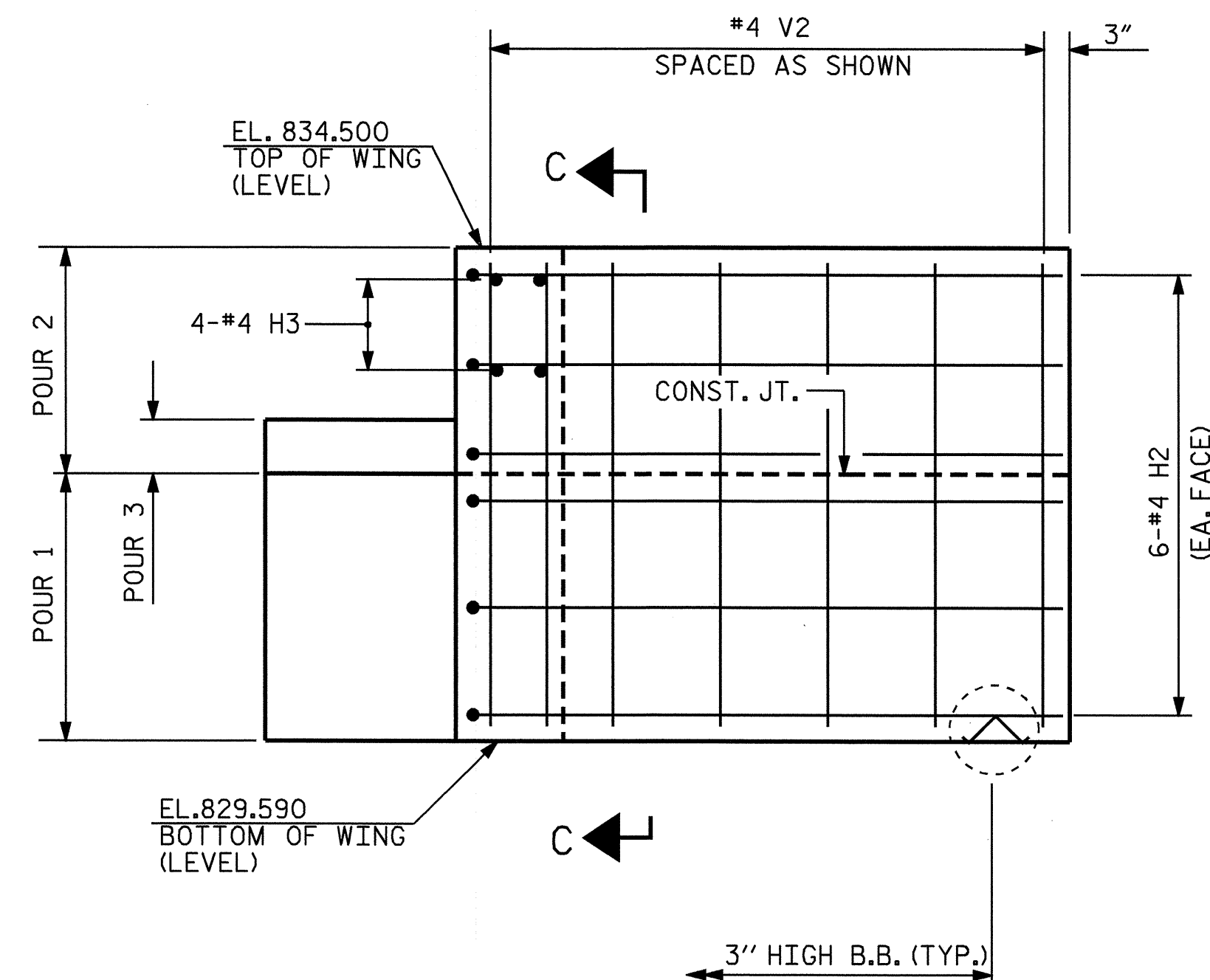


ELEVATION OF WING - W1



SECTION B-B

SECTION C-C



ELEVATION OF WING - W2

PROJECT NO. B-3839
FORSYTH COUNTY
 STATION: 19+64.00 -L-

SHEET 2 OF 3

STATE OF NORTH CAROLINA
 DEPARTMENT OF TRANSPORTATION
 RALEIGH

SUBSTRUCTURE
 END BENT No. 2



DRAWN BY: M. POOLE DATE: 04/2004
 CHECKED BY: L.L. MURPHY DATE: 05/2005

19-MAY-2005 07:19
 R:\STRUCT\2\B3839\m\poole\MICROS\2\B3839.dwg
 dahodge

REVISIONS						SHEET NO.	
NO.	BY:	DATE:	NO.	BY:	DATE:	S-11	
1			3			TOTAL SHEETS	
2			4			16	