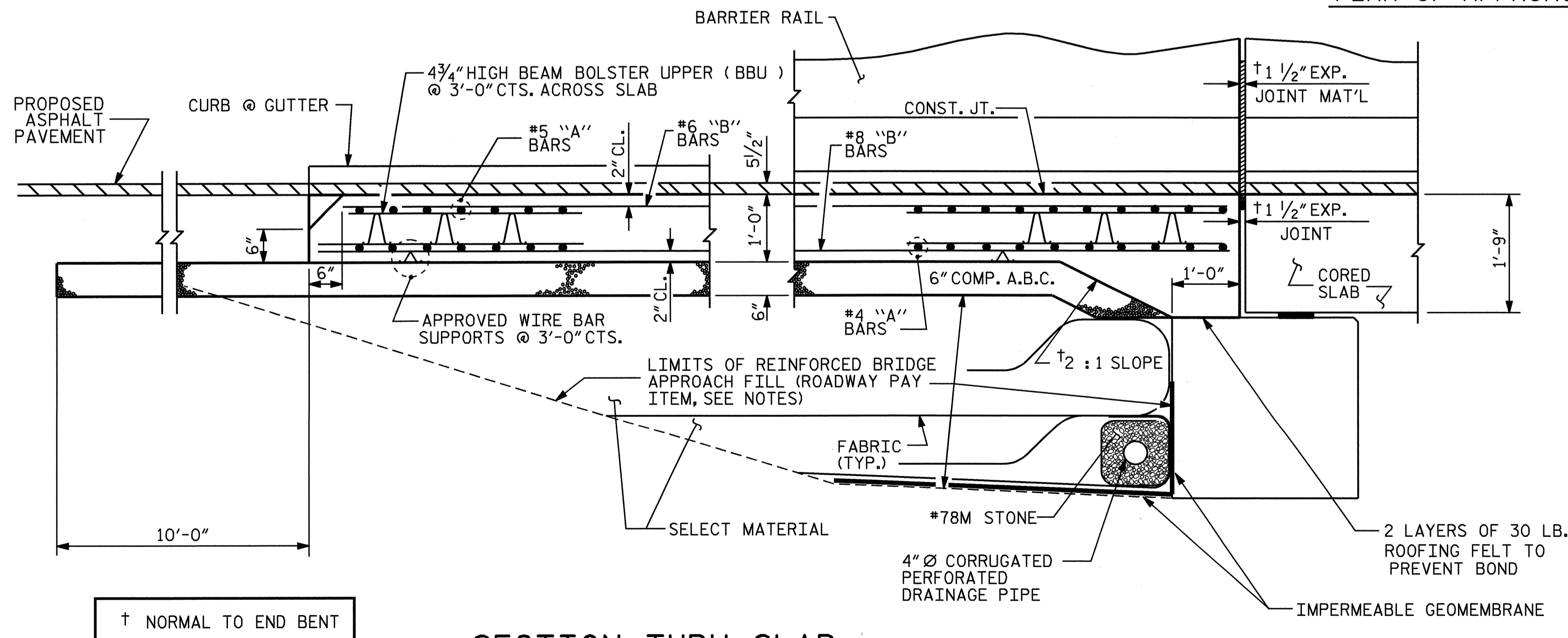
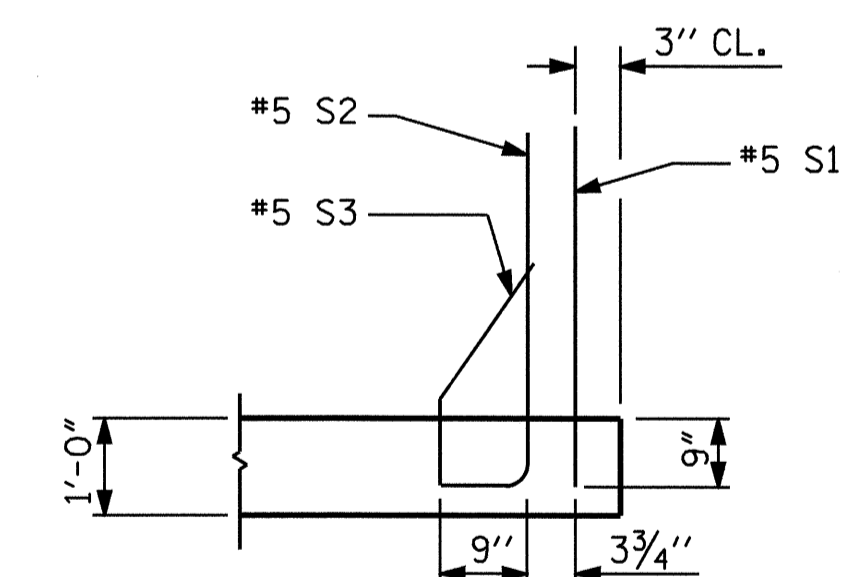


PLAN OF APPROACH SLAB AT END BENT No.1

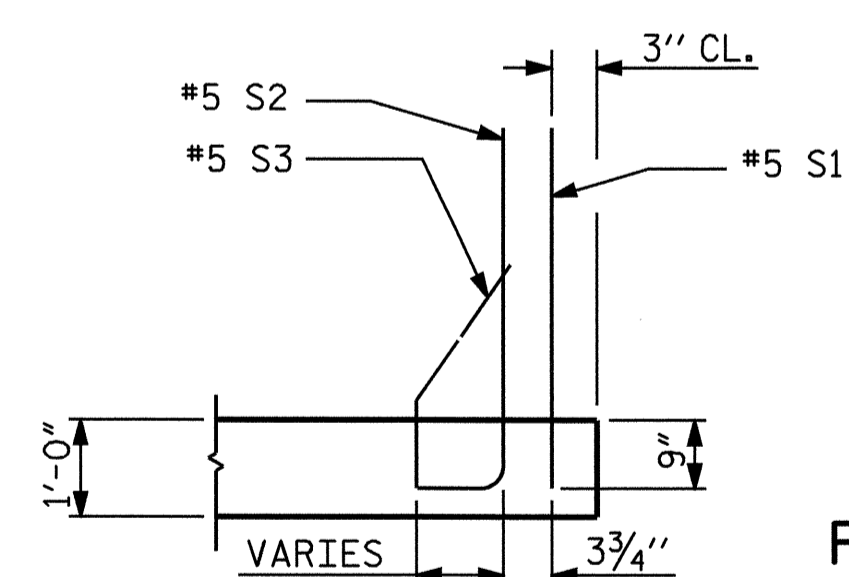
PLAN OF APPROACH SLAB AT END BENT No.2



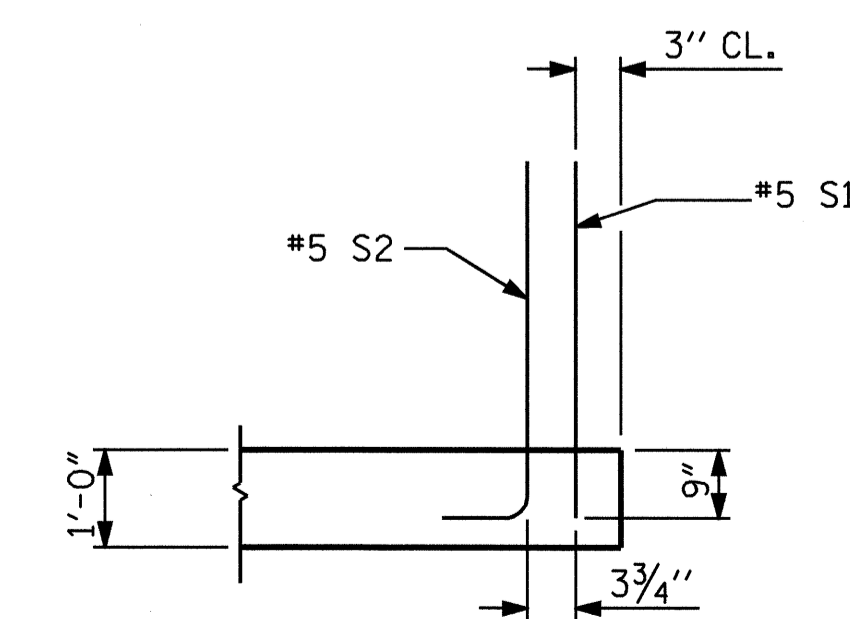
SECTION THRU SLAB



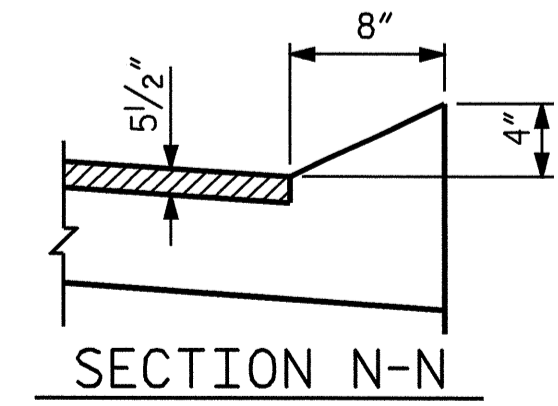
SECTION K-K



SECTION L-L



SECTION M-M



SECTION N-N

PROJECT NO. B-3839
 FORSYTH COUNTY
 STATION: 19+64.00 -L-

SHEET 1 OF 3
 STATE OF NORTH CAROLINA
 DEPARTMENT OF TRANSPORTATION
 RALEIGH
 BRIDGE APPROACH SLAB
 FOR PRESTRESSED CONCRETE
 CORED SLAB WITH
 BARRIER RAIL



ASSEMBLED BY :	M. POOLE	DATE :	03/05
CHECKED BY :	D. HODGE	DATE :	04/05
DRAWN BY :	LES 8/01	REV. 10/17/00	RWW/LES
CHECKED BY :	RDR 8/01	REV. 7/10/01	LES/RDR
		REV. 5/7/03R	RWW/JTE

REVISIONS						SHEET NO.	
NO.	BY:	DATE:	NO.	BY:	DATE:	S-14	
1			3			TOTAL SHEETS 16	
2			4				