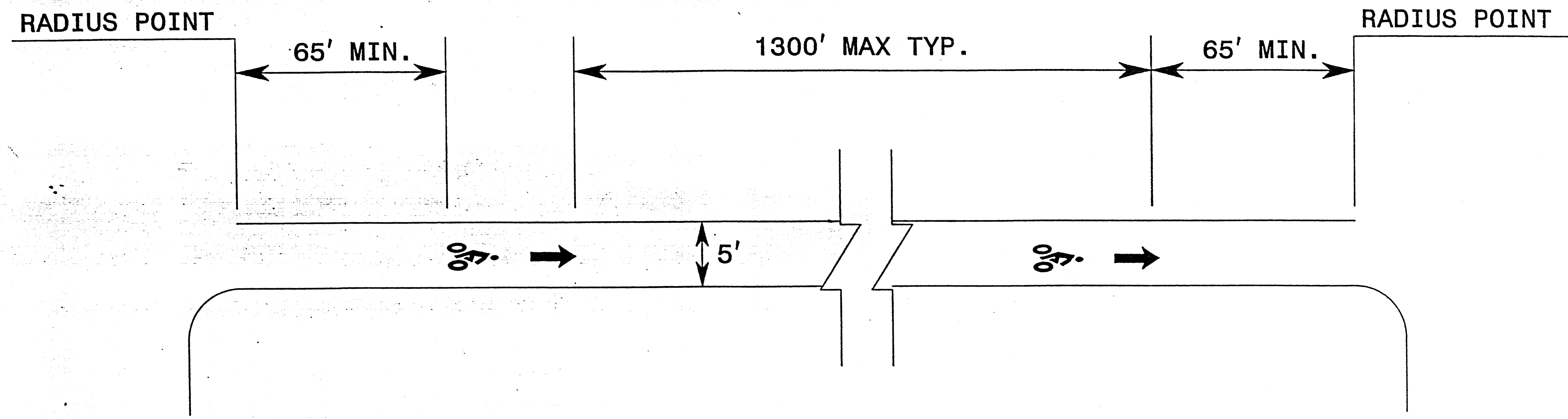
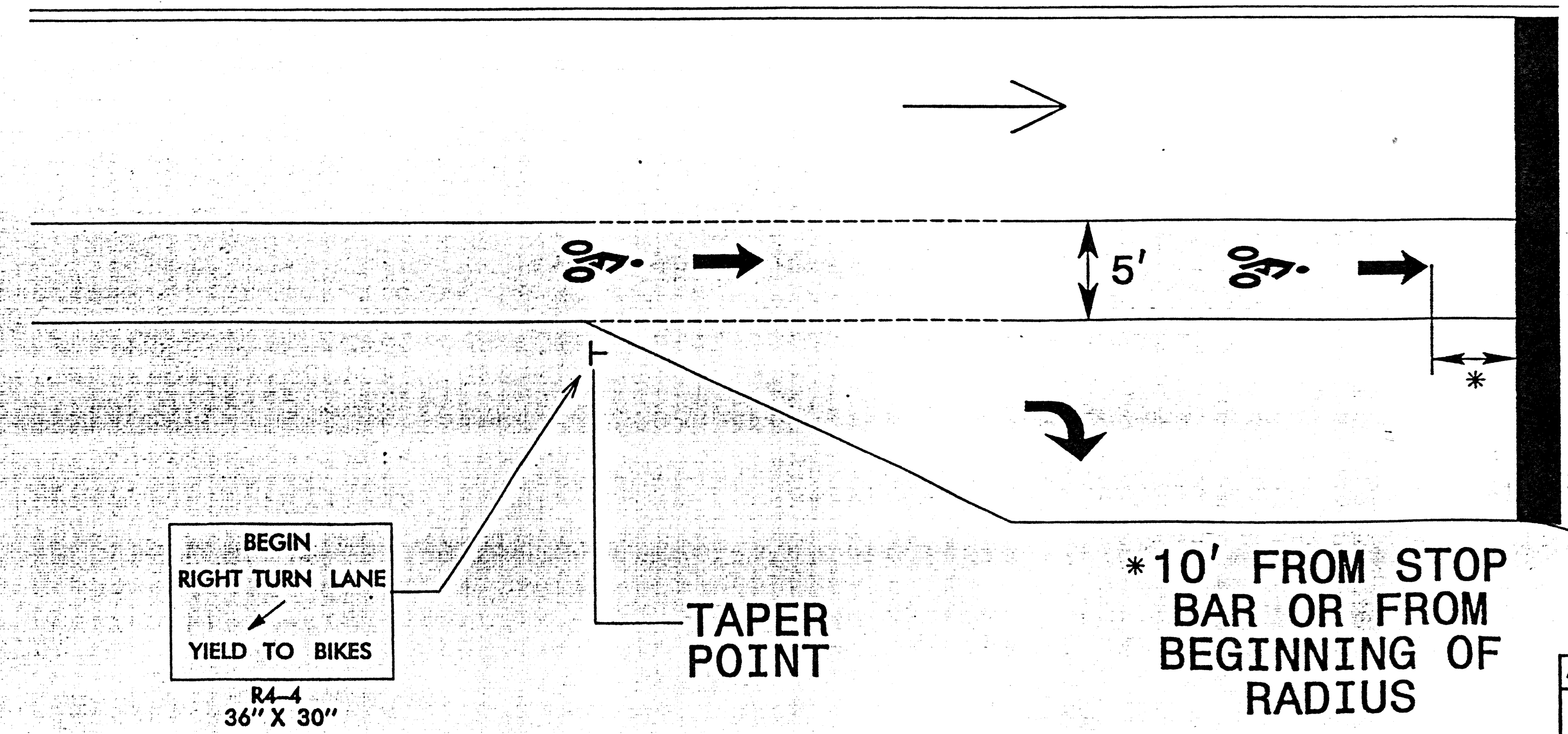



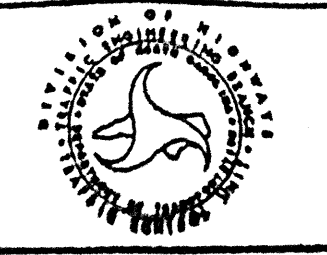
TYPICAL PLACEMENT OF BICYCLE SYMBOLS

NOTE: PLACE ARROW BICYCLE SYMBOLS SPACED AT 1300' (MAX.) INTERVALS THROUGHOUT PROJECT



TYPICAL PLACEMENT OF SIGNS, BICYCLE SYMBOLS AND ARROW ADJACENT TO RIGHT TURN LANE



APPROVED: _____ DATE: _____	PAVEMENT MARKING PLAN	
		
SCALE: NONE		REVISIONS
DATE: 4/1/02		
DESIGN BY: RLW		
REVIEWED BY: 88A		