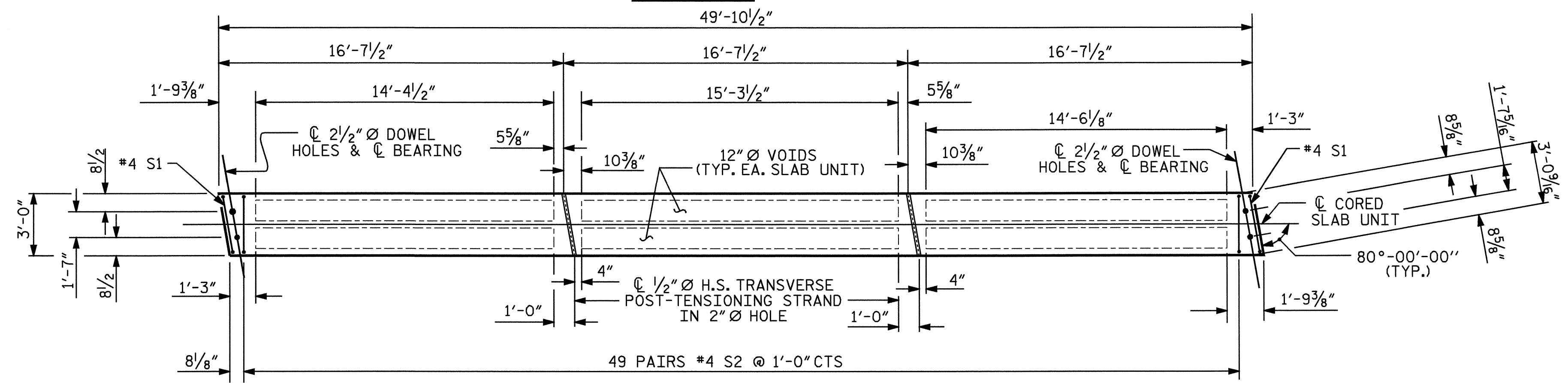


SPAN B



PLAN OF INTERIOR CORED SLAB UNIT - SPAN B

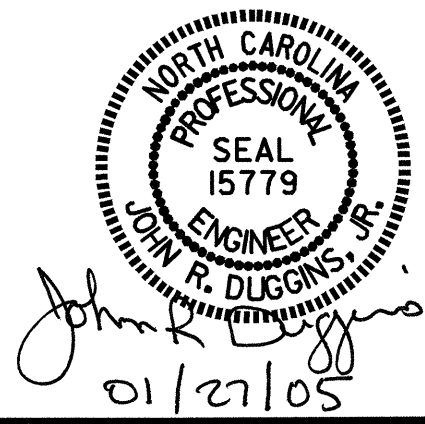
(INTERIOR SLAB UNIT SHOWN, EXTERIOR SLAB UNIT SIMILAR, SEE "PLAN OF SPAN B" FOR ADDITIONAL REINFORCEMENT IN EXTERIOR SLAB UNITS DUE TO BARRIER RAIL)

PROJECT NO. B-3887
PENDER COUNTY
 STATION: 15+64.50 -L-

SHEET 3 OF 6

STATE OF NORTH CAROLINA
 DEPARTMENT OF TRANSPORTATION
 RALEIGH

SUPERSTRUCTURE
 PLAN OF SPAN B



DRAWN BY : J. LAMBERT DATE : 3/2004
 CHECKED BY : M. POOLE DATE : 4/2004

REVISIONS						SHEET NO.	
NO.	BY:	DATE:	NO.	BY:	DATE:	S-6	
1			3			TOTAL SHEETS	
2			4			23	