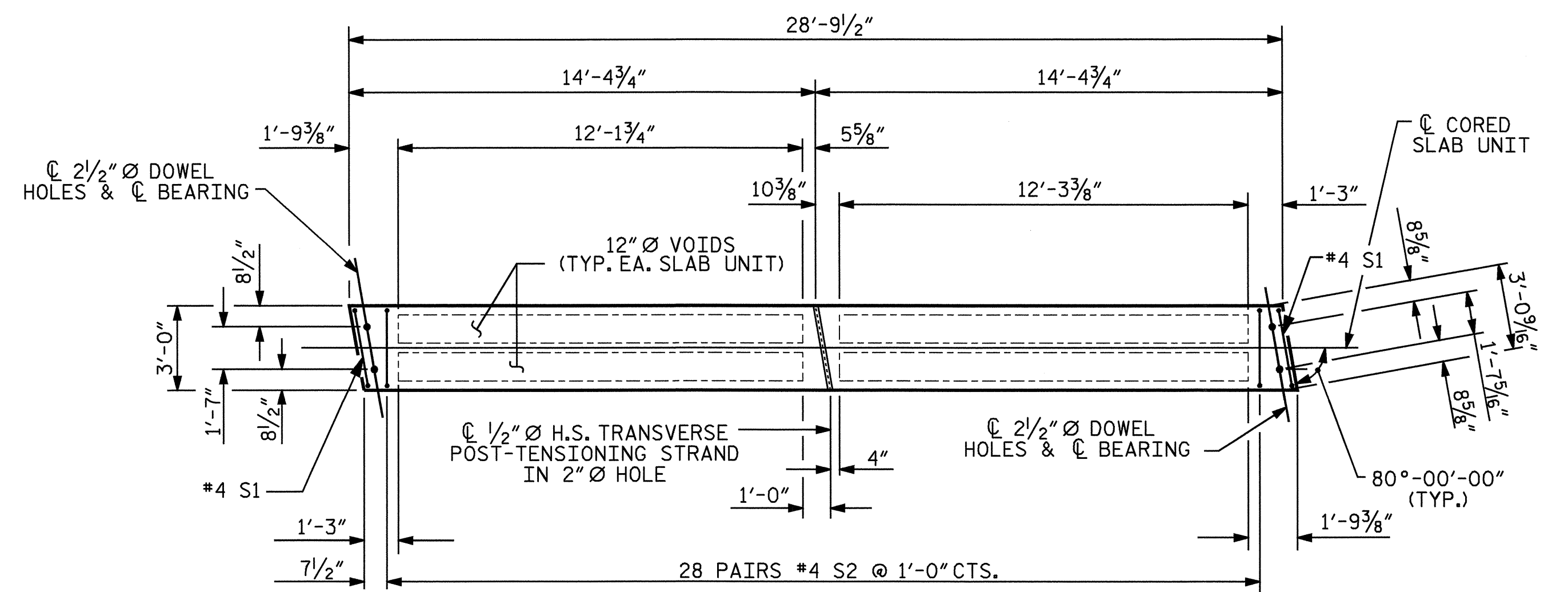


SPAN C



PLAN OF INTERIOR CORED SLAB UNIT - SPAN C

(INTERIOR SLAB UNIT SHOWN, EXTERIOR SLAB UNIT SIMILAR, SEE "PLAN OF SPAN C" FOR ADDITIONAL REINFORCEMENT IN EXTERIOR SLAB UNITS DUE TO BARRIER RAIL)

** FOR PLACEMENT OF S1 & S3 BARS, SEE "PART PLAN - EXTERIOR SECTION" SHEET 1 OF 6.

DRAWN BY: J. LAMBERT DATE: 3/2004
 CHECKED BY: M. POOLE DATE: 4/2004

Professional Engineer Seal for John R. Duggins, No. 15779, State of North Carolina, dated 01/27/05.

PROJECT NO. B-3887
 PENDER COUNTY
 STATION: 15+64.50 -L-

SHEET 4 OF 6

STATE OF NORTH CAROLINA
 DEPARTMENT OF TRANSPORTATION
 RALEIGH

SUPERSTRUCTURE
 PLAN OF SPAN C

REVISIONS						SHEET NO.
NO.	BY:	DATE:	NO.	BY:	DATE:	S-7
1			3			TOTAL SHEETS
2			4			23

NCDDG