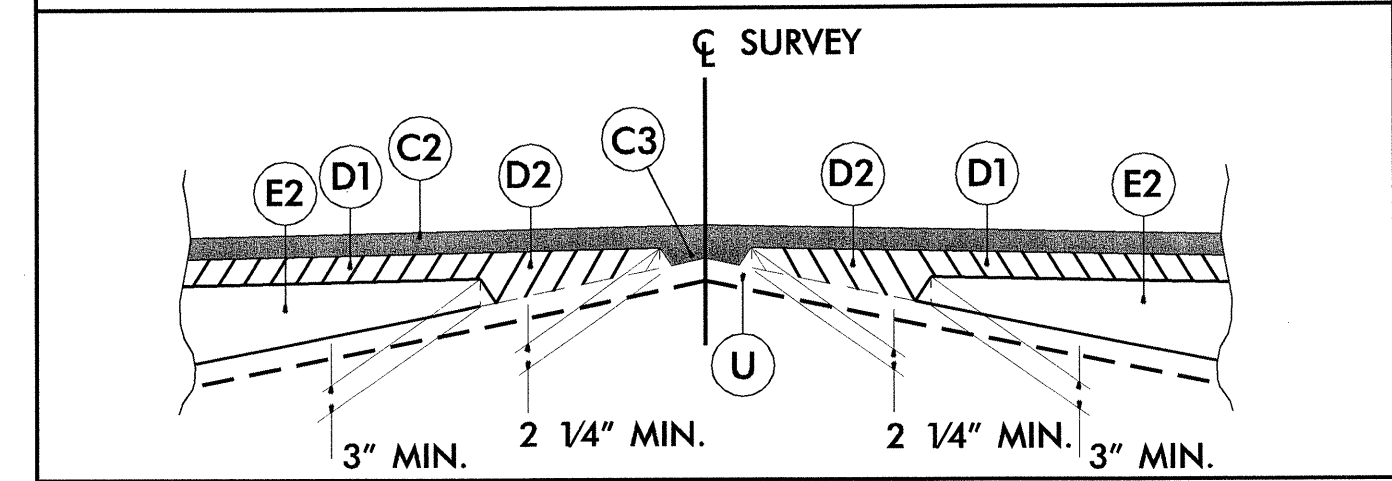


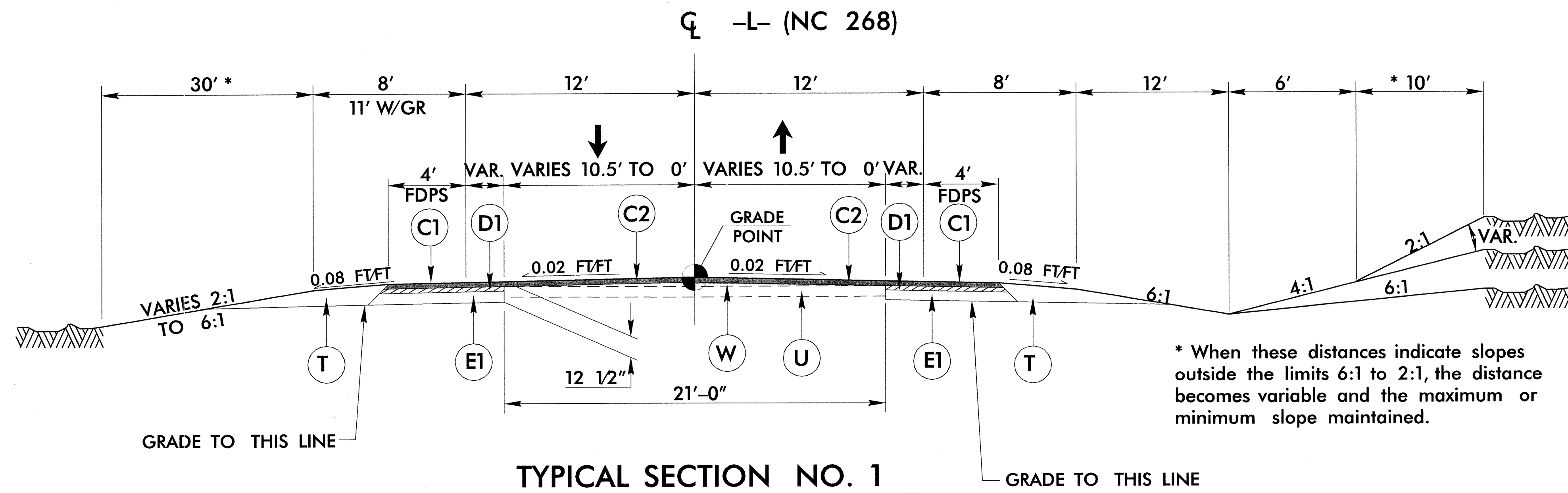
PAVEMENT SCHEDULE			
ITEM	DESCRIPTION	ITEM	DESCRIPTION
C1	PROP. APPROX. 3" ASPHALT CONCRETE SURFACE COURSE, TYPE S9.5B, AT AN AVERAGE RATE OF 168 LBS. PER SQ. YD. IN EACH OF TWO LAYERS	E1	PROP. APPROX. 5 1/2" BITUMINOUS CONCRETE BASE COURSE, TYPE B25.0B, AT AN AVERAGE RATE OF 627 LBS. PER SQ. YD.
C2	PROP. APPROX. 1 1/2" ASPHALT CONCRETE SURFACE COURSE, TYPE S9.5B, AT AN AVERAGE RATE OF 168 LBS. PER SQ. YD.	E2	PROP. VAR. DEPTH ASPHALT CONCRETE BASE COURSE, TYPE B25.0B, AT AN AVERAGE RATE OF 114 LBS. PER SQ. YD. PER 1" DEPTH, TO BE PLACED IN LAYERS NOT GREATER THAN 5 1/2" IN DEPTH OR LESS THAN 3" IN DEPTH.
C3	PROP. VAR. DEPTH ASPHALT CONCRETE SURFACE COURSE, TYPE S9.5B, AT AN AVERAGE RATE OF 112 LBS. PER SQ. YD. PER 1" DEPTH, TO BE PLACED IN LAYERS NOT TO EXCEED 1 1/2" IN DEPTH.	T	EARTH MATERIAL
D1	PROP. APPROX. 4" ASPHALT CONCRETE INTERMEDIATE COURSE, TYPE I19.0B, AN AVERAGE RATE OF 456 LBS. PER SQ. YD.	U	EXISTING PAVEMENT
D2	PROP. VAR. DEPTH ASPHALT CONCRETE INTERMEDIATE COURSE, TYPE I19.0B, AT AN AVERAGE RATE OF 114 LBS. PER SQ. YD. PER 1" DEPTH TO BE PLACED IN LAYERS NOT GREATER THAN 4" IN DEPTH OR LESS THAN 2 1/4" IN DEPTH.	W	WEDGING (SEE DETAIL 1)

NOTE: All Pavement Edge Slopes Are To Be 1:1.

Detail 1 Showing Method of Wedging



PROJECT REFERENCE NO. B-3714	SHEET NO. 2
ROADWAY DESIGN ENGINEER	PAVEMENT DESIGN ENGINEER

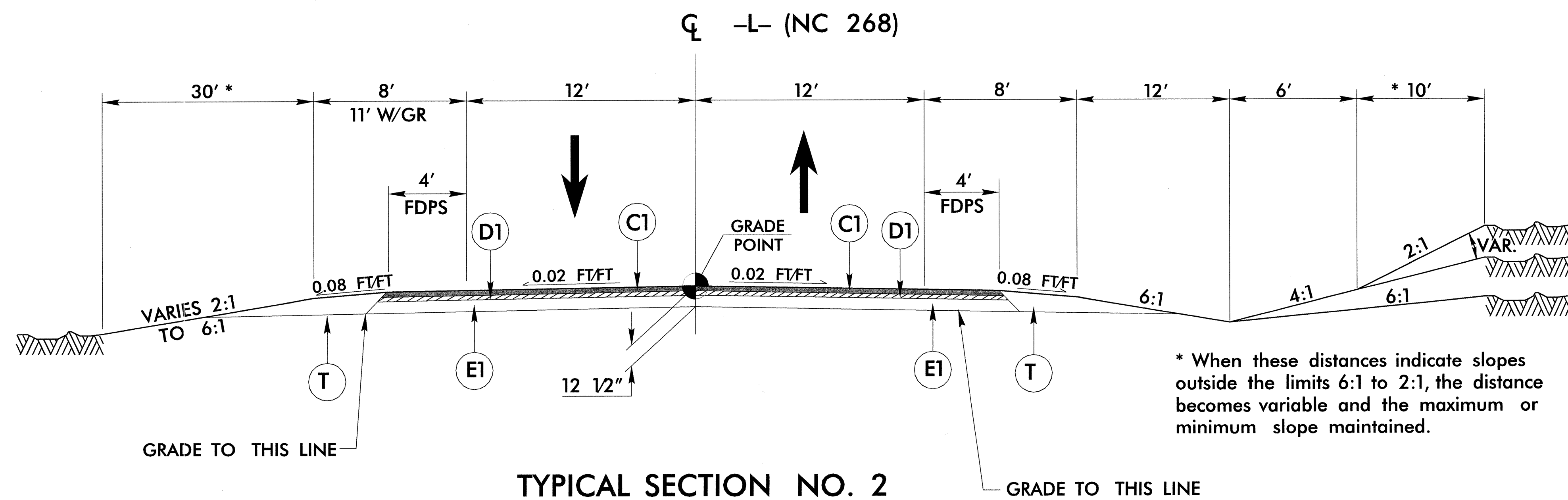


TYPICAL SECTION NO. 1

TRANSITION FROM EXISTING TO TYPICAL No. 1
-L- STA. 8+00.00 TO 8+50.00

TRANSITION FROM TYPICAL No. 1 TO EXISTING
-L- STA. 24+75.36 TO 25+25.36 (PT)

USE TYPICAL SECTION No. 1
-L- STA. 8+50.00 TO 12+49.00
-L- STA. 21+70.00 TO 24+75.36



TYPICAL SECTION NO. 2

USE TYPICAL SECTION No. 2
-L- STA. 12+49.00 TO 16+30.50 (Begin Bridge)
-L- STA. 17+80.50 (End Bridge) TO 21+70.00

12/17/2004 R:\Roadway\Proj\B3714_RDY_TYP.dgn spassmbn

PLANS PREPARED BY :

RUMMEL • KLEPPER & KAHL, LLP
consulting engineers
5800 FARINGDON PLACE SUITE 105
RALEIGH, NORTH CAROLINA 27609-3960

FOR
DIVISION OF HIGHWAYS